

Aut-O-Loc 2[™] Safety Strap

Specifications—Aut-O-Loc 2[™] Safety Strap

Product Description

_____ backstop safety straps, model 503229/503230 Aut-O-Loc2[™] by Draper, Inc., Spiceland, Indiana. Aut-O-Loc 2[™] Backstop Safety Strap is designed to engage instantly whenever a cable or supporting structure fails. Aut-O-Loc 2[™] is actuated by speed or inertia in order to stop a load from falling due to a sudden failure such as a cable breakage, cable clamp failure or any increase in speed due to failure or back drive of a winch or supporting structure. Aut-O-Loc 2[™] is rated for a 1000 lb load.

Aut-O-Loc 2[™] incorporates a 2" wide polyester belt with a breaking strength rating of 6000 lbs (2,721 Kg) and will withstand a 1750 lb free falling load without any failure of components or the belt.

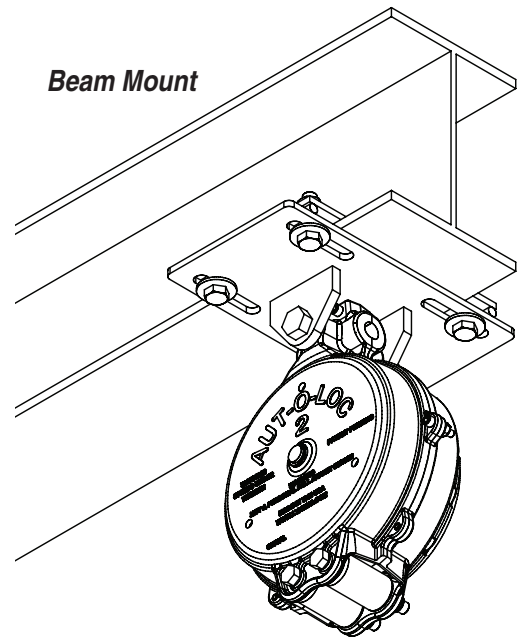
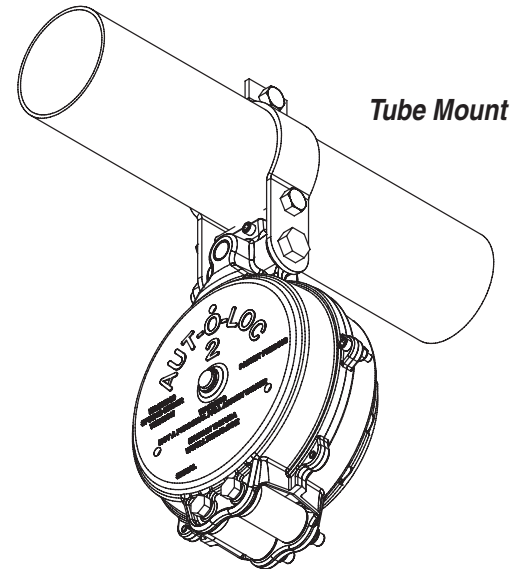
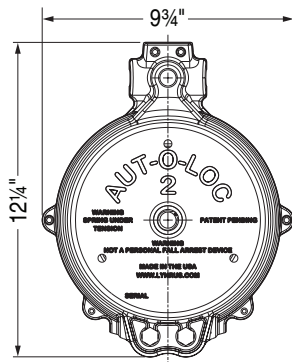
The housing and drum shall be manufactured from high tensile heat treated aluminum alloy that naturally resists corrosion without paint. The drum which houses the mechanism is a singular machined piece to retain its structural integrity in the case of a load capture. The locking mechanism always remains in the ready position regardless of whether belt is retracting or extending. Locking mechanism does not cycle constantly. The unit operates at a sound level less than 20db to allow the operator clearly hear the operational sounds of the winch and backstop, so they may stop winch operation if there are abnormal audible warnings to indicate possible mechanical issues.

Aut-O-Loc 2[™] has a universal mount that can accommodate 3½" or 4" tube and can mount to support tubes running parallel and/or perpendicular to the backboard. Unit is self aligning with the use of two integral guide wheels so the force of a fall positions the unit in the ideal plane to prevent damage to unit and the supporting structure. The locking mechanism will fully engage within 3" of belt travel in the event of failure. The locking mechanism utilizes multiple high strength steel pawls that deploy and evenly load the drum and housing when engaged and do not rely on a singular locking mechanism. The standard model 503229 safety strap has a minimum of 35 feet of belt. For tall attachment heights, choose model 503230 which has up to 46 feet of belt,

Safety strap's retractable nylon strap includes a brightly colored warning strip that indicates when maximum payout of the belt has been reached. The strap also features a brightly colored warning indicator that deploys automatically when engaged. Aut-O-Loc 2[™] is permanently locked when a load of more than 1000 lbs of force is captured and will not be functional after it has caught a significant load to prevent possible re-use and failure of critical components that are stressed when the unit engages a load.

Please Select Safety Strap

- 503229 - Aut-O-Loc 2[™] with 36' Belt
- 503230 - Aut-O-Loc 2[™] with 46' Belt



Tube and Beam Mounts can be mounted either parallel or perpendicular to the tube or beam. Tube Mount is shown perpendicular; Beam Mount is shown parallel.

PROJECT: _____

ARCHITECT: _____

CONTRACTOR: _____

SUPPLIER: _____

DATE: _____ REVISED: _____