

Exterior Clutch-Operated FlexShade®

Outdoor shading system with smooth, quiet operation and independent control

SUBMITTAL TECHNICAL INFO

EXT FLEX CLN

Please check all appropriate selections and attach room schedule with verified dimensions.

Fabric Series: _____

Color Name / Number: _____

Openness Factor: _____

Please see [Draper® Fabric Options](#) for fabric colors and specifications.

Select Hardware Finish

- Black Bronze Ivory
- White Sand Silver

Select Liner Options

- Side Channel
- Hem Bar
 - .140" (3.6mm) .310" (7.9mm)
 - .450" (11.4mm) 1" (25mm) height liner
 - 1/16" (1.75mm) Vinyl bulb seal

Select Side Cable Placement

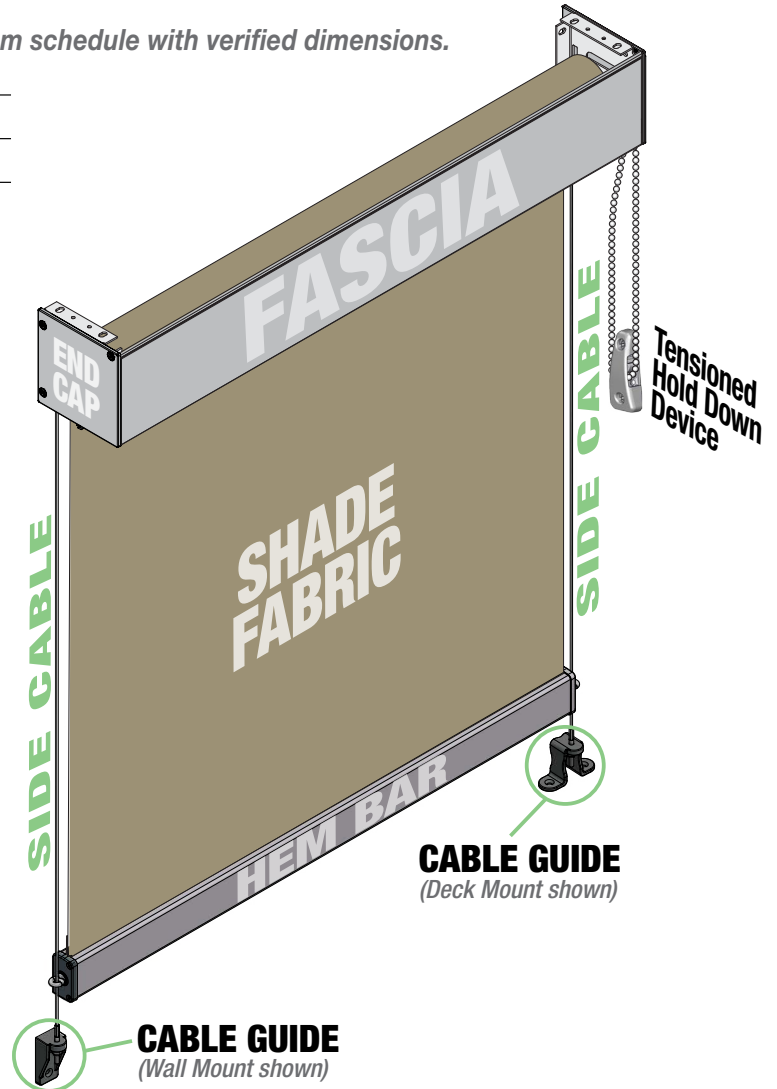
- Wall Mount Deck Mount

Select Clutch Color

- White (standard) Black (optional)

Select Bead Chain Type:

- Steel Chain
 - Stainless Steel (standard) Black Steel
 - White Steel
- Polyester Chain
 - Black Bronze White
 - Ivory Grey



Child Safety Information

To comply with Child Safety Standard ANSI/WCMA A100.1-2022, this product ships with a tensioning device attached to the bead chain. Incorrect installation partially disables the product. When properly fastened to mounting surface, the pre-installed Tensioned Hold Down device for clutch-operated units prevents creation of a hazardous loop by maintaining tension on the bead chain.

Scan for more information, including short videos on correctly installing the tensioning device, or go to draperinc.com/windowshades/childsafety.

Available Sizes:

WIDTH	4'	5'	6'	7'	8'	9'	10'	11'
	(122cm)	(152cm)	(183cm)	(213cm)	(244cm)	(274cm)	(305cm)	(335cm)
2' (61cm)								
3' (91cm)								
4' (122cm)								
5' (152cm)								
6' (183cm)								
7' (213cm)								
8' (244cm)								
9' (274cm)								
10' (305cm)								
11' (335cm)								

* Maximum size will vary according to fabric selection.



Draper, Inc. | 411 S. Pearl St. Spiceland, IN 47385
draperinc.com | 765.987.7999 | 800.238.7999

© 2024 All Rights Reserved | FORM: Exterior_FS_CL_Sub_24

PROJECT: _____

ARCHITECT: _____

CONTRACTOR: _____

SUPPLIER: _____

DATE: _____ REVISED: _____

Specifications

EXTERIOR CLUTCH-OPERATED SHADING SYSTEM: Clutch-operated, vertical roll-up, fabric shading system. Assembly includes clutch operator, mounting hardware, and other components necessary for complete installation. Exterior Clutch-Operated FlexShade® as manufactured by Draper®, Inc.

BEAD CHAIN CLUTCH OPERATOR: DuPont™ Zytel® nylon resin (*glass fiber reinforced*), black or white. 20 lb (9.1kg) standard. 24 lb (10.9kg) as necessary. Bi-directional for mounting at either end of roller. Control loop, of any length, is a plastic or stainless steel bead chain (*standard*). Plastic chain in ivory, grey, or black. Never needs adjusting. Patent pending.

ROLLER: Appropriately sized metal roller. Material and size at manufacturer's discretion; minimum 1½" (38mm) diameter.

ROLLER IDLER ASSEMBLY: Plastic idler end insert into roller will fit over steel pin and rotate on pin with use of sealed bearing. Steel pin connects to bearing mounted to bracket mounted inside the headbox. Systems not using sealed bearings are not acceptable.

FABRIC CONNECTION TO ROLLER TUBE: Fabric panel is attached with double-sided adhesive (*LSE*) to the roller tube at the top, and to the hem bar at the bottom.

HEM BAR: Weighted aluminum. Optional bottom liners.

FASCIA: "L" cover of extruded aluminum, .060 (1.5mm) wall. Fascia snaps onto endcaps without exposed fasteners. Silver, black, white, ivory, or bronze powder coat finish available. Custom powder coat colors available.

HEM BAR CONTAINMENT OPTIONS:

GUIDE CABLES: Deck Mount or Wall Mount

SIZE: 1½" x 1½" (41mm x 41mm)

FINISH: Silver, black, sand, white, ivory, or bronze powder coat.

PATENT INFORMATION:

<http://www.draperinc.com/legal/patents>

DOWNLOADABLE 3-PART SPECIFICATIONS:

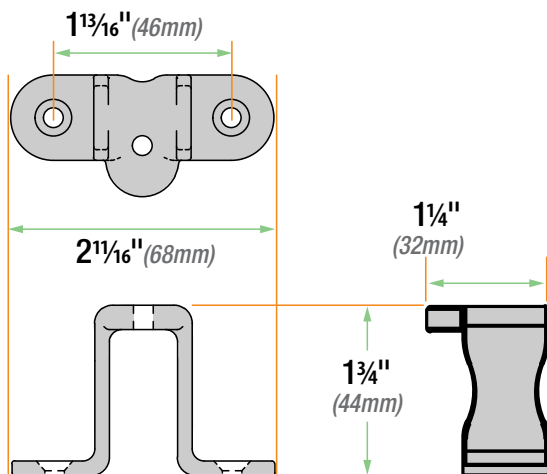
www.draperinc.com

Please note: Dimensions of rollers, operators, and hardware at manufacturer's discretion.

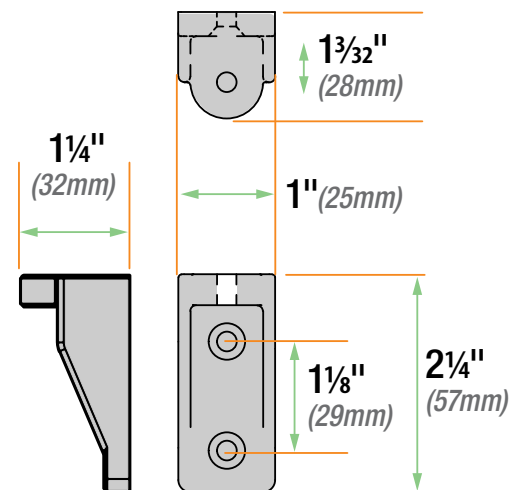
Sonessa® is a registered trademark of Somfy® Systems, Inc.

Component Dimensions

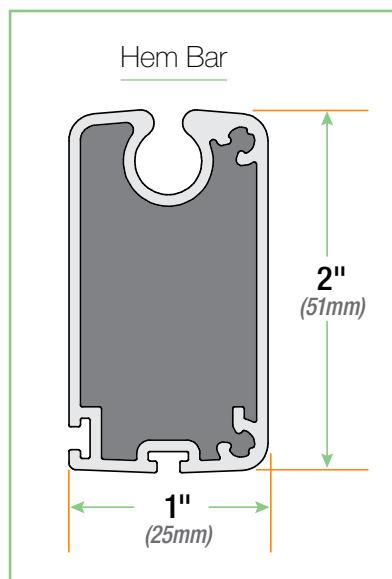
Cable Guide - Deck Mount



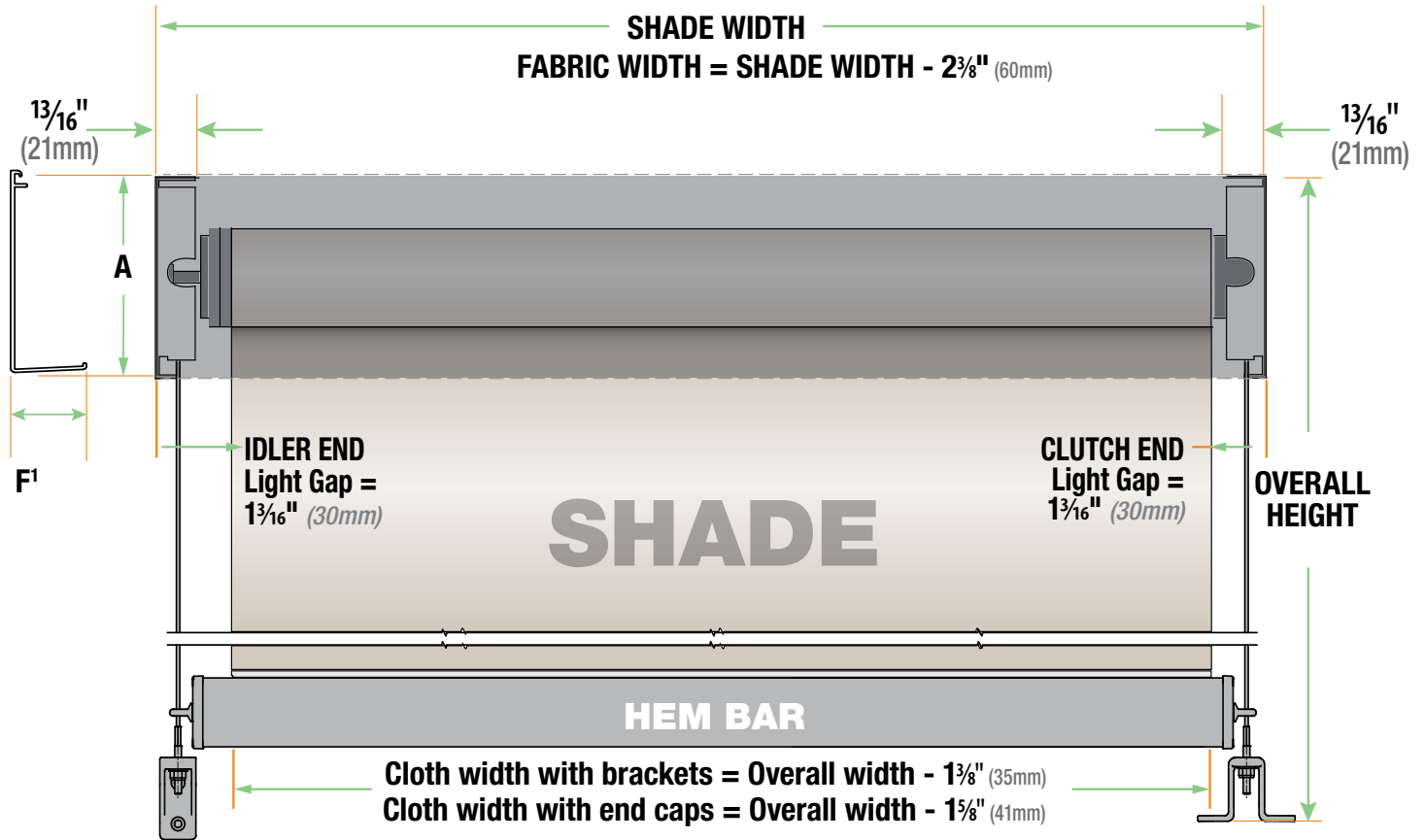
Cable Guide - Wall Mount



Hem Bar



Dimensions



Fascia with Endcaps		
	SMALL	LARGE
A'	3 7/8" (98mm)	4 5/8" (117mm)
B'	3 3/8" (86mm)	4 5/8" (117mm)
C'	1 3/16" (30mm)	1 9/16" (40mm)
D'	5/8" (16mm)	5/8" (16mm)
E'	1/16" (1.6mm)	3/32" (2.4mm)
F'	3" (76mm)	3 1/4" (83mm)

Brackets*		
	SMALL	LARGE
A²	2 3/16" (56mm)	2 3/16" (56mm)
B²	2 3/8" (60mm)	3" (76mm)
C²	1 1/16" (17mm)	1 1/16" (17mm)
D²	1 5/8" (41mm)	2 1/4" (57mm)
E²	1 3/4" (44mm)	1 3/4" (44mm)
F²	N/A	N/A

