

Exterior Crank-Operated FlexShade®

Outdoor crank-operated shading system with cable guides or channels

EXT FLEX CRN

Please check all appropriate selections and attach room schedule with verified dimensions.

Fabric Series: _____

Color Name / Number: _____

Openness Factor: _____

Please see [Draper® Fabric Options](#) for fabric colors and specifications.

Select Hardware

Select Hardware Finish

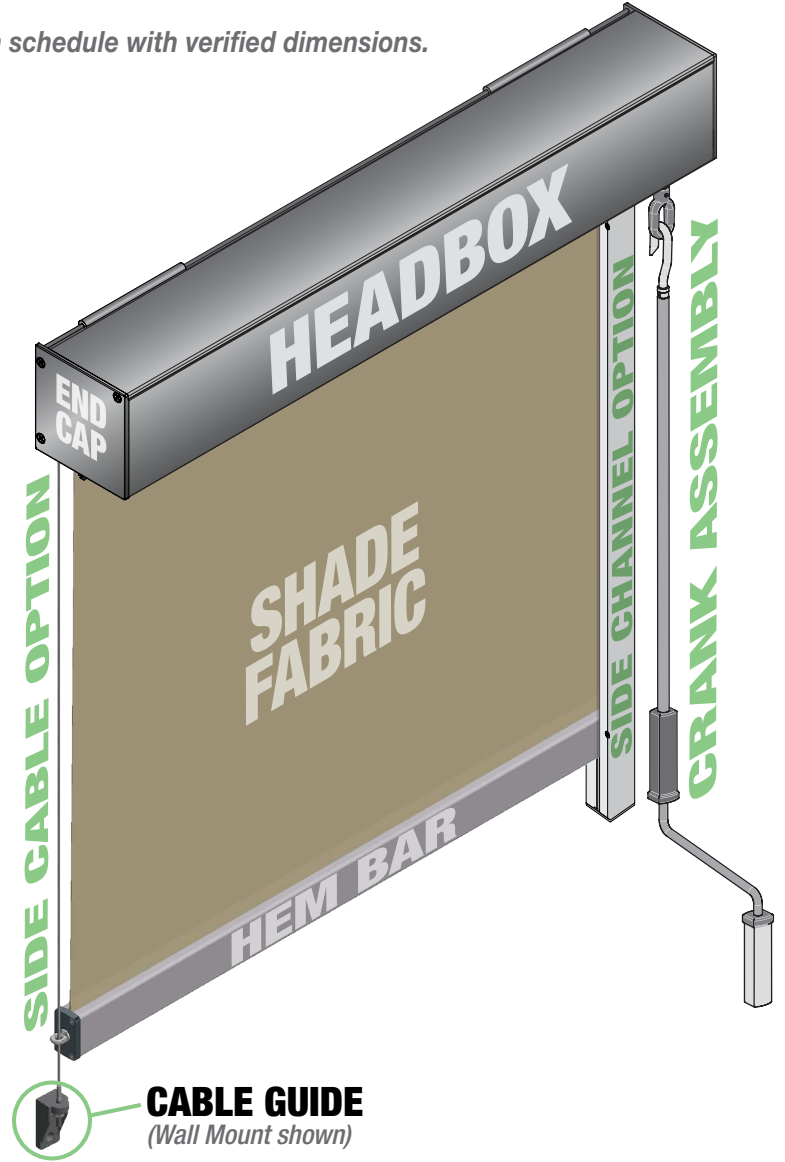
- Black
- Bronze
- Ivory
- White
- Sand
- Silver

Select Liner Options

- Headbox
- Side Channel
- Hem Bar
 - .140" (3.6mm)
 - .310" (7.9mm)
 - .450" (11.4mm)
 - 1" (25mm) height liner
 - 1/16" (17.5mm) Vinyl bulb seal

Select Guide Type

- Side Cable
 - Wall Mount
 - Deck Mount
- Side Channel
 - Channel Adaptors (see p.4)
 - C073.002 Qty: _____
 - C090.053 Qty: _____
 - C090.054 Qty: _____
 - C104.148 Qty: _____



Available Sizes:

HEIGHT	WIDTH	4'	5'	6'	7'	8'	9'	10'	11'
		(122cm)	(152cm)	(183cm)	(213cm)	(244cm)	(274cm)	(305cm)	(335cm)
2' (61cm)									
3' (91cm)									
4' (122cm)									
5' (152cm)									
6' (183cm)									
7' (213cm)									
8' (244cm)									
9' (274cm)									
10' (305cm)									
11' (335cm)									

* Maximum size will vary according to fabric selection.



Draper, Inc. | 411 S. Pearl St. Spiceland, IN 47385
draperinc.com | 765.987.7999 | 800.238.7999

© 2022 All Rights Reserved | FORM: Exterior_FS_CR_Sub_22

PROJECT: _____

ARCHITECT: _____

CONTRACTOR: _____

SUPPLIER: _____

DATE: _____ REVISED: _____

Specifications

EXTERIOR CRANK-OPERATED

SHADING SYSTEM: Crank-operated, vertical roll-up, fabric shading system. Assembly includes crank operator, mounting hardware, and other components necessary for complete installation. Exterior Crank-Operated FlexShade® as manufactured by Draper®, Inc.

CRANK OPERATOR: Bi-directional to mount at either end of roller. Never needs lubrication or adjustment. Crank handle assembly of powder coated and chromed steel, up to 6' in length, and detachable.

ROLLER: 2.364 inch (60 mm) outside diameter (at manufacturer's discretion); aluminum.

ROLLER IDLER ASSEMBLY: Plastic idler end insert into roller will fit over steel pin and rotate on pin with use of sealed bearing. Steel pin connects to bearing mounted to bracket mounted inside the headbox. Systems not using sealed bearings are not acceptable.

FABRIC CONNECTION TO ROLLER TUBE: Fabric panel is attached with double-sided adhesive (LSE) to the roller tube at the top, and to the hem bar at the bottom.

HEM BAR: Weighted aluminum. Optional bottom liners.

HEADBOX: Cassette-style extruded aluminum sections. 3 5/8" x 3 3/8" (92 mm x 92 mm) by length required for shade being provided.

SHAPE: Square, Curved.

FINISH: Silver, black, sand, white, ivory, or bronze powder coat.

HEM BAR CONTAINMENT OPTIONS:

GUIDE CABLES: Deck Mount or Wall Mount; or

SIDE CHANNELS: Extruded aluminum

SIZE: 1 5/8" x 1 3/8" (41 mm x 41 mm)

FINISH: Silver, black, sand, white, ivory, or bronze powder coat.

PATENT INFORMATION:

<http://www.draperinc.com/legal/patents>

DOWNLOADABLE 3-PART SPECIFICATIONS:

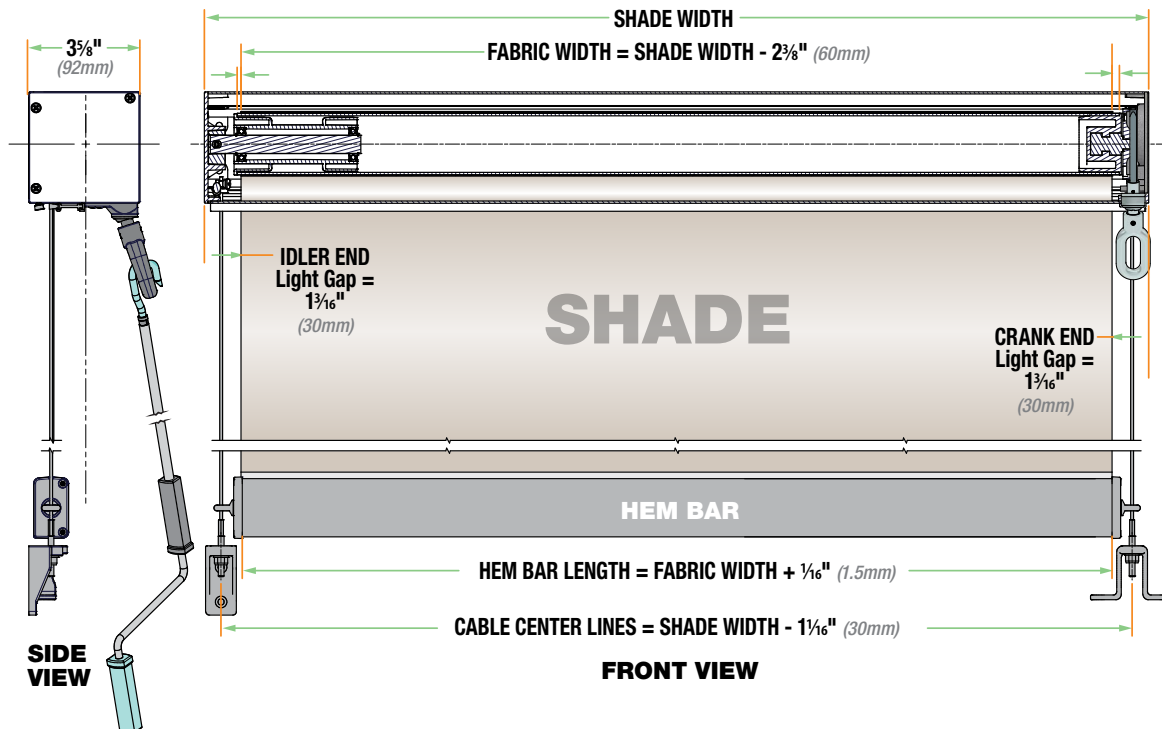
www.draperinc.com

Please note: Dimensions of rollers, operators, and hardware at manufacturer's discretion.

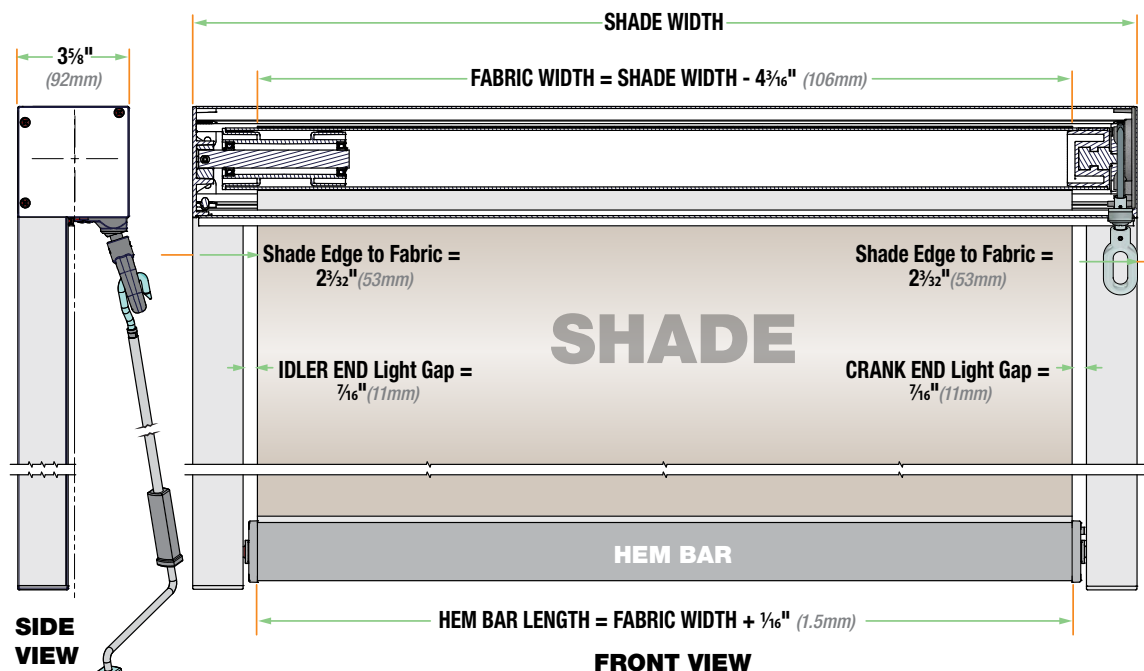
Soness® is a registered trademark of Somfy® Systems, Inc.

Dimensions

Side Cable Option

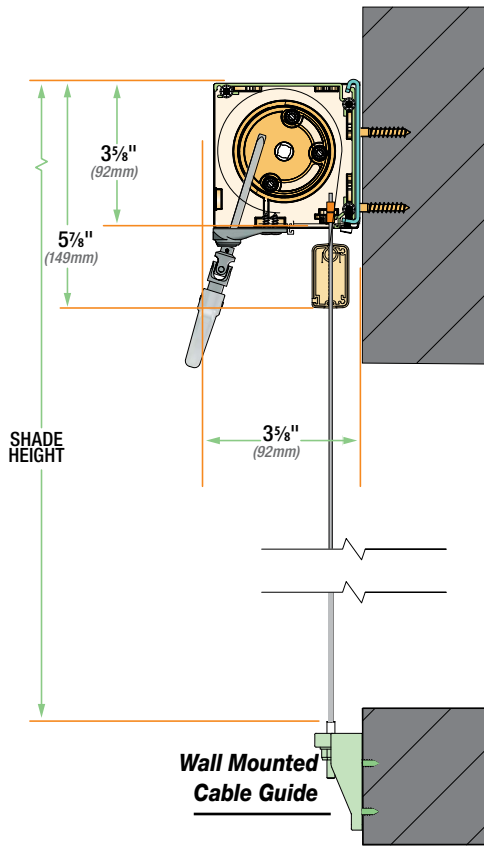


Side Channel Option

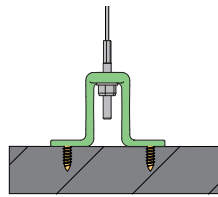


Assembled Dimensions: Side View

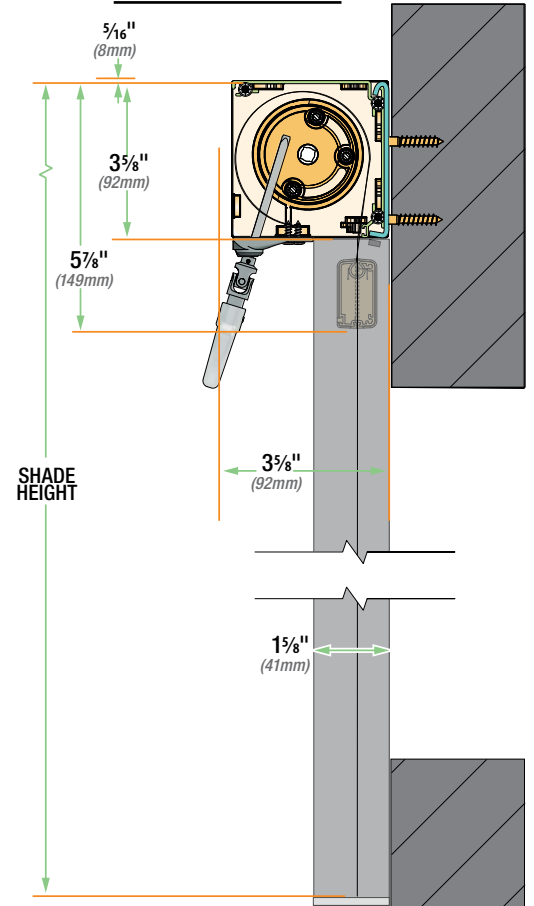
Side Cable Option



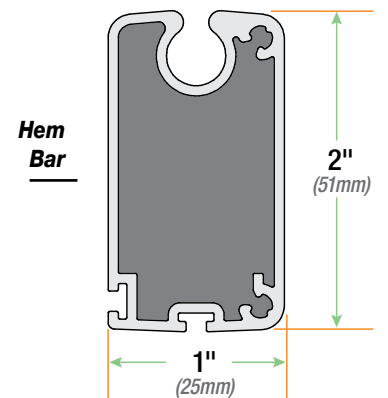
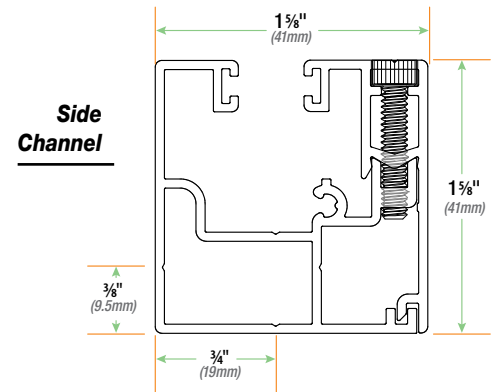
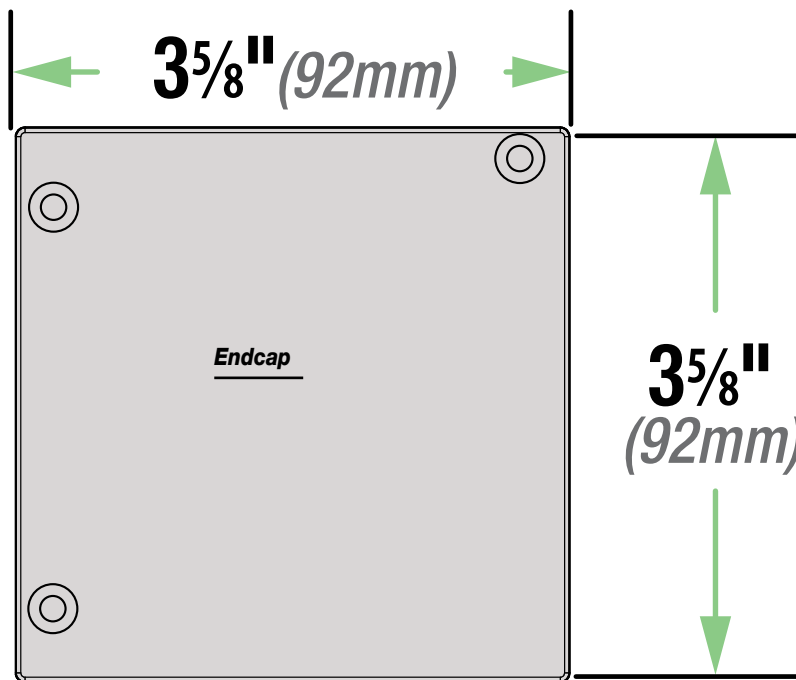
Deck Mounted Cable Guide



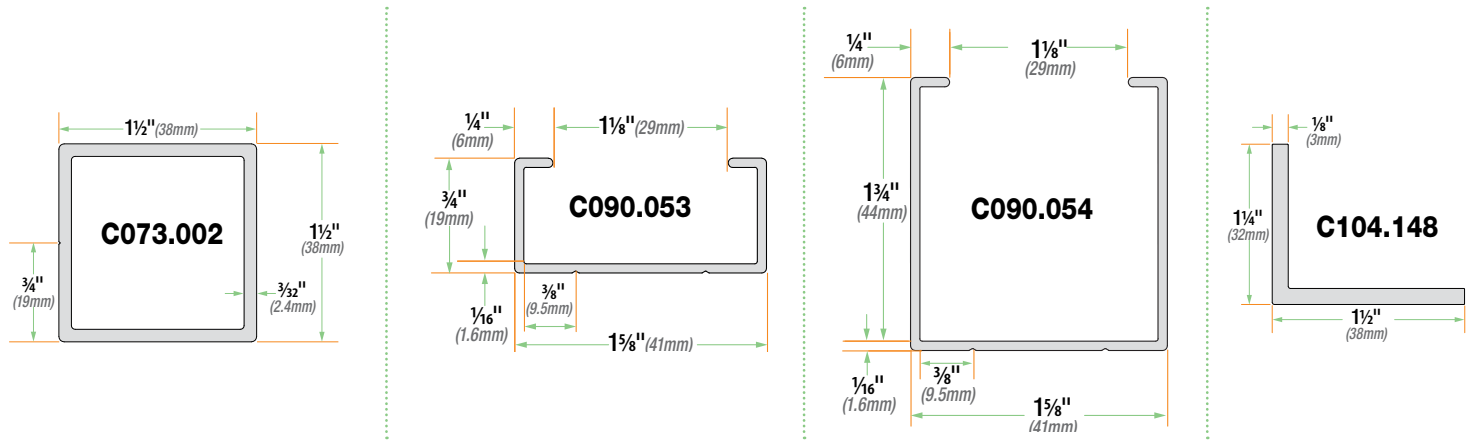
Side Channel Option



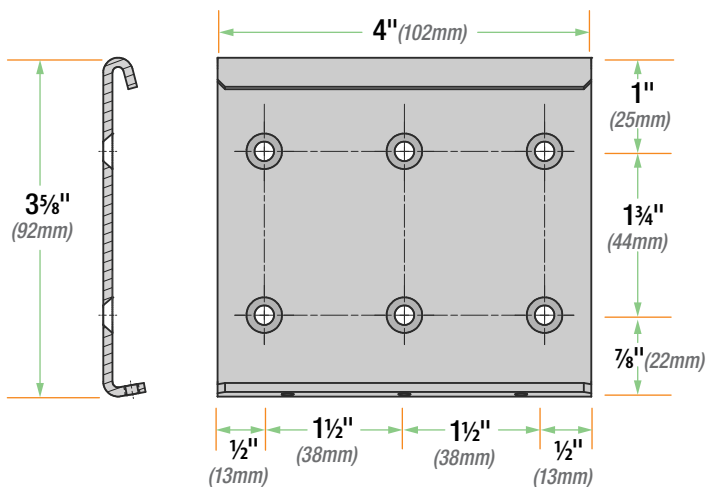
Component Dimensions



Optional Channel Adaptors



Wall Mounting Bracket

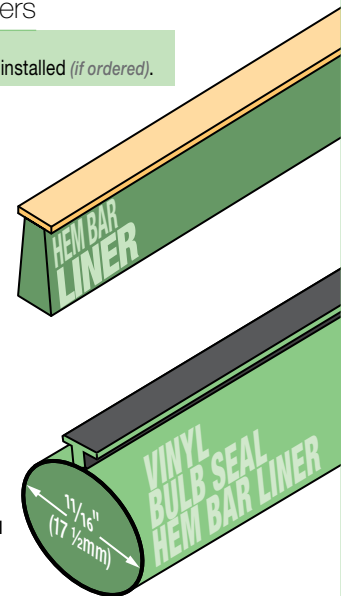


NOTE: Mounting brackets attach to surface with #10 Flat Head Screw.

Hem Bar Liners

Please Note:
 Liner is factory installed (if ordered).

- C037.002:**
 .140" (3.6mm) height liner
- C037.003:**
 .310" (7.9mm) height liner
- C037.004:**
 .450" (11.4mm) height liner
- C037.015:**
 1" (25mm) height liner



Crank Handle

Available Crank Handle Sizes:

- 48" (122cm)
- 60" (152cm)
- 72" (183cm)

