

SPECIALTY & PE EQUIPMENT Double Mat Lifter

THREE CABLE SYSTEM, STANDARD LIFTER, SLING SUPPORTS AND LOAD BAR

PART NO. 502061



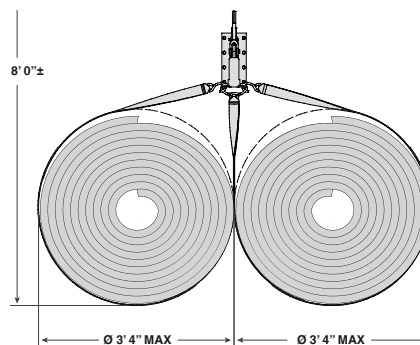
■ To ensure balanced operation, the Double Mat Lifter unit features a three cable system. Standard lifter, load bar, and slings shall be capable of supporting two standard 42' x 42' (12.8 m x 12.8 m) wrestling mats (weighing approximately 1 lb/ft²). Mats may be one-piece or in sections placed end to end. In case of a power outage, an emergency lowering manual override brake is included. Motors, drive assembly, and all control mechanisms are encased in a fire proof safety cover.

FEATURES:

- Standard sling color is black.
- Supports two 42' x 42' (12.8 m x 12.8 m) wrestling mats, weighing approximately 1 lb/ft² (4.88 kg/m²) with a 5-to-1 safety ratio.
- Available with choice of over-under or side-by-side sling configuration.
- Unit weight excluding mats is approximately 1,750 lb (794 kg).
- Lifting and lowering speed is approximately 10 feet (3.04 m) per minute.
- Three 5-16" (13-41 cm), 7 x 19 lifting cables.
- Complete system independently tested to 17,500 lb (7,938 kg).
- A custom integrated motion alarm system automatically sounds when the lifter is in motion.

OPTIONS:

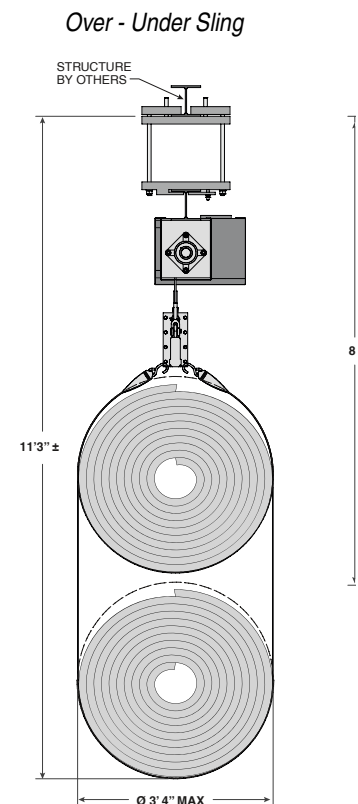
- Other colors are available by special request.
- Wall brackets and travel kits available.
- Side-by-side or over-under sling.



SUPPORTING DOCUMENTS

Access dimensions, specifications, instructions, technical drawings and other supporting documents located at: draperinc.com/documents.aspx

Mat Lifter Dimensions - End Views



For more information on this product visit: draperinc.com/gymequipment/specialtype.aspx

Draper, Inc. | 411 S. Pearl St. Spiceland, IN 47385
draperinc.com | 765.987.7999 | 800.238.7999

© 2019 All Rights Reserved | Form: GYMSPEC_DMatLifter_19