

SPECIALTY & PE EQUIPMENT Single Mat Lifter

THREE CABLE SYSTEM, STANDARD LIFTER, SLING SUPPORTS AND LOAD BAR

PART NO. 502060



- To ensure balanced operation, the Single Mat Lifter unit features a three cable system. Standard lifter, load bar, and sling supports one standard 45' x 45' (13.72 m x 13.72 m) wrestling mat (weighing approximately 1 lb/ft²). Mats may be one-piece or in sections placed end to end. In case of a power outage, an emergency lowering manual override brake is included. Motors, drive assembly, and all control mechanisms are encased in a fire proof safety cover.

FEATURES:

- Standard sling color is black.
- Supports one standard 45' x 45' (13.72 m x 13.72 m) wrestling mat, weighing approximately 1 lb/ft² (4.88 kg/m²) with a 5-to-1 safety ratio.
- Unit weight excluding mat is approximately 1,750 lb (794 kg).
- Lifting and lowering speed is approximately 10 feet (3.04 m) per minute.
- Three 5-16" (13-41 cm), 7 x 19 lifting cables.
- A custom integrated motion alarm system automatically sounds when the lifter is in motion.

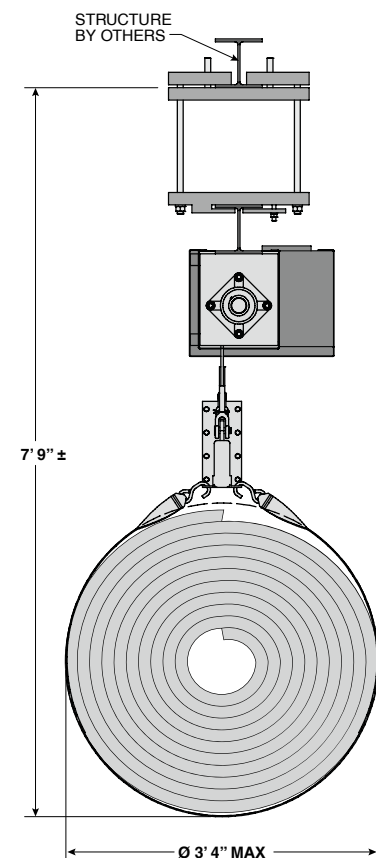
OPTIONS:

- Other colors are available by special request.
- Optional wall brackets and travel kits available.

SUPPORTING DOCUMENTS

Access dimensions, specifications, instructions, technical drawings and other supporting documents located at: draperinc.com/documents.aspx

Mat Lifter Dimensions - End View



For more information on this product visit: draperinc.com/gymequipment/specialtype.aspx