

Paragon G

Electrically Operated Divider Curtain for Small Openings

SUBMITTAL

TECHNICAL INFO

Specifications Please check all appropriate selections and attach room schedule with verified dimensions.

Divider Curtain as shown on plans shall be Paragon/G as manufactured by Draper, Inc., Spiceland, Indiana. Bidder is responsible for verification of job conditions and dimensions.

Paragon/G divider curtain features an extruded aluminum case that fully encloses operating mechanism and rolled fabric in the stored position. Bottom of case to be enclosed with exception of slot allowing passage of fabric. Fabric rolls on 6" OD x 10-gage steel wall tubing. Bottom Batten to be 1-1/2" steel tube with polyethylene endcaps. Case is suspended by steel brackets attached to aluminum end-plates. One or more welded intermediate case supports constructed of welded steel channel and solely for leveling the case are provided for any case 96" or greater in width. Case features a deflection compensation system to minimize fabric fullness at greater widths. US Patent 6,873,461. Optional wall brackets and ceiling tile flanges are available or contact Draper for other custom mounting solutions.

Divider is electrically operated with 110–120V AC, 60 Hz 3 wire motor mounted inside roller tube, 2.5-amp draw, instantly reversable lifetime lubricated with thermal overload protection and mechanical brake. Motor mounted on sound-absorbing brackets and includes preset limit switches. Limit switches are accessible for field adjustment. Left-hand motor location is standard, but right-hand motor is also available. Standard control to be by 3-position momentary contact key switch.



Lower [_____] [dimension chosen by owner/architect] section of curtain shall be solid vinyl-coated polyester, avg. 18 oz. per square yard. Flammability rated as self-extinguishing by the California State Fire Code and Class A Rated in accordance with requirements of NFPA-101. Color shall be chosen from manufacturer's standard offering of at least 11 colors. Upper section of curtain shall be avg. 9 oz. per square yard vinyl coated polyester mesh. Flammability rated as self-extinguishing by the California State Fire Code and Class A Rated in accordance with requirements of NFPA-101. Mesh color shall be chosen from standard offerings (white, yellow, red, blue, grey or black) as specified by the owner. All seams to be electronically welded and run horizontally to allow for even roll of vinyl around drive tube. Bottom edge of curtain to have a pocket to accommodate a 1-1/2" diameter round batten.

Draper 18 oz. Divider Curtain Vinyl and Divider Curtain Mesh has achieved GREENGUARD GOLD Certification. GREENGUARD Certified products are certified to GREENGUARD standards for low chemical emissions into indoor air during product usage. For more information, visit ul.com/gg.

PATENT INFORMATION: available at www.draperinc.com/legal/patents
DOWNLOADABLE 3-PART SPECIFICATIONS: available at www.draperinc.com.

Please note: Dimensions of rollers, operators and hardware at manufacturer's discretion.

Options

Please check all appropriate selections and attach room schedule with verified dimensions.

Select Solid 18 oz. Vinyl Weight and Color

Specify Height of Vinyl: _____

Select Color:

- | | |
|---------------------------------------|--------------------------------------|
| <input type="checkbox"/> White | <input type="checkbox"/> Marine Blue |
| <input type="checkbox"/> Forest Green | <input type="checkbox"/> Yellow |
| <input type="checkbox"/> Orange | <input type="checkbox"/> Black |
| <input type="checkbox"/> Red | <input type="checkbox"/> Dark Blue |
| <input type="checkbox"/> Maroon | <input type="checkbox"/> Beige |
| <input type="checkbox"/> Grey | |

Select Mesh Color:

- | | |
|--------------------------------|---------------------------------|
| <input type="checkbox"/> White | <input type="checkbox"/> Red |
| <input type="checkbox"/> Blue | <input type="checkbox"/> Yellow |
| <input type="checkbox"/> Black | <input type="checkbox"/> Grey |

Specify Width: _____

Specify Height: _____

Height (Floor to Attachment):

Low Point: _____ High Point: _____

- Obstructions (Please provide details or sketch.)

Control Options for Paragon/G

- Wireless Remote Control
- EZ Pad Plus Keypad Control System
- Smart Gym Touch Screen Control System
- 503065 – Audible Alarm
- 503091 – Plug Kit

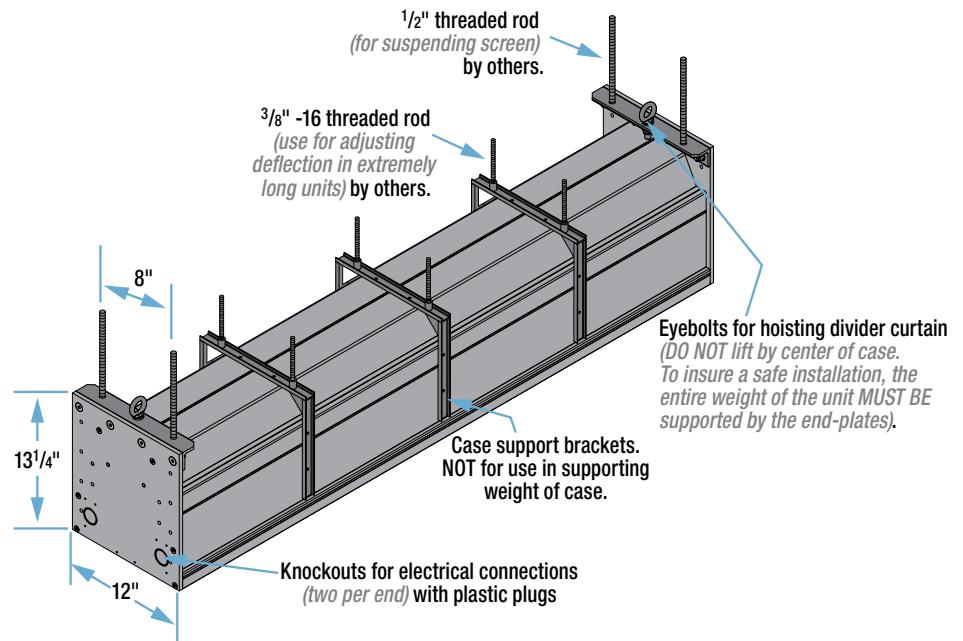
Building Structure in Relation to Curtain

- Directly under continuous beam
- Between two beams
 - Distance between beams: _____
 - Distance from curtain to beam: _____
- Right Angle to beams
 - Spacing between beams: _____

Building Structure for Curtain Support

- Beam flange width: _____
- Beam flange thickness: _____

Methods of Installation



Draper, Inc. | 411 S. Pearl St. Spiceland, IN 47385
 draperinc.com | 765.987.7999 | 800.238.7999
 © 2019 All Rights Reserved | FORM: ParagonG_Sub19

PROJECT: _____

ARCHITECT: _____

CONTRACTOR: _____

SUPPLIER: _____

DATE: _____ REVISED: _____

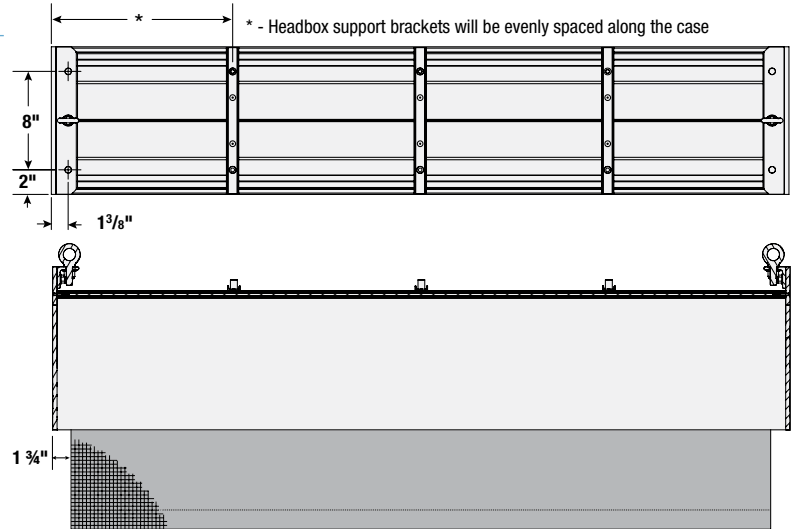
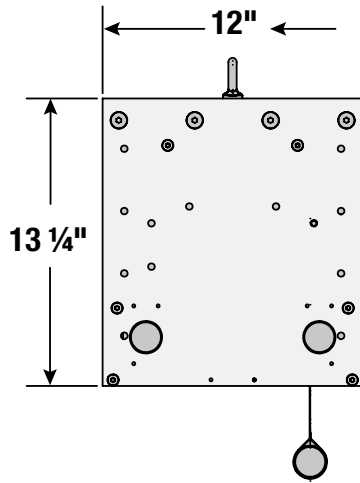
Paragon G

Electrically Operated Divider Curtain for Small Openings

Dimensions

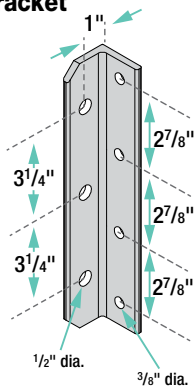
Case Width	No. of Intermediate Brackets
< 96"	0
≥ 96" and < 180"	1
≥ 180" and < 240"	2
≥ 240" and < 346"	3

Brackets are equally spaced from each other and each end. For example, if the case length is 202", then each of the two brackets will be placed approximately 67.33" from each end (with 67.33" between them).

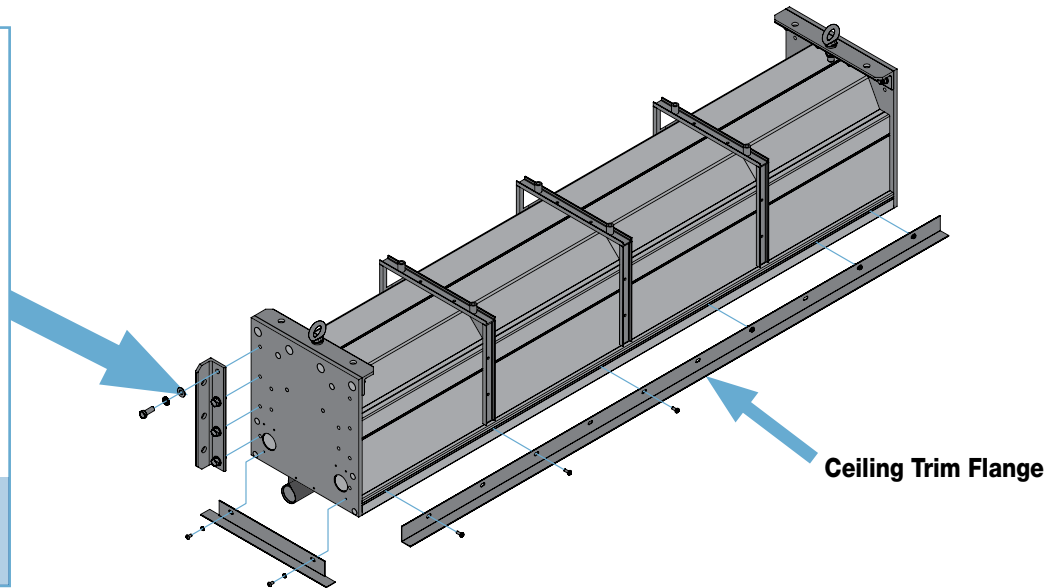


Options: Wall Mounting Bracket and Ceiling Trim Flange

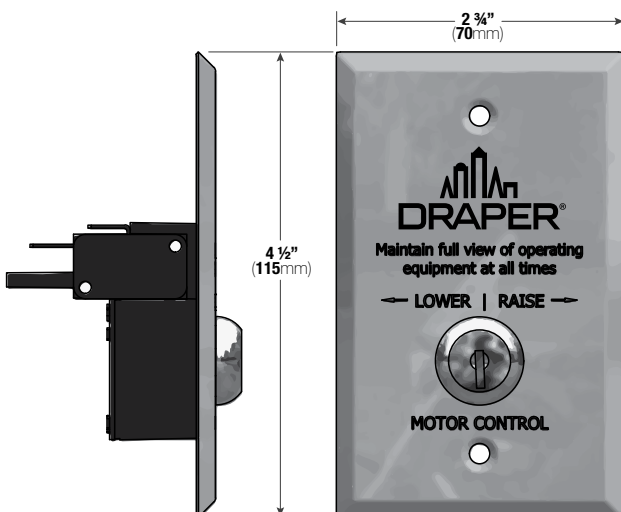
Wall Mounting Bracket



Please Note: Optional wall brackets add 1 3/4" per bracket to case length. Wall mounting bracket hole location is 1" from end of case.

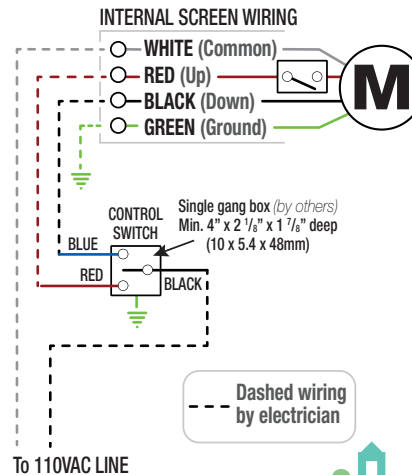


Key Switch



Wiring Diagram

Single Station Control



Please Note: Test divider operation. If divider direction does not correspond with the switch orientation, turn power back off and switch the red and black wires from the motor to the switch.