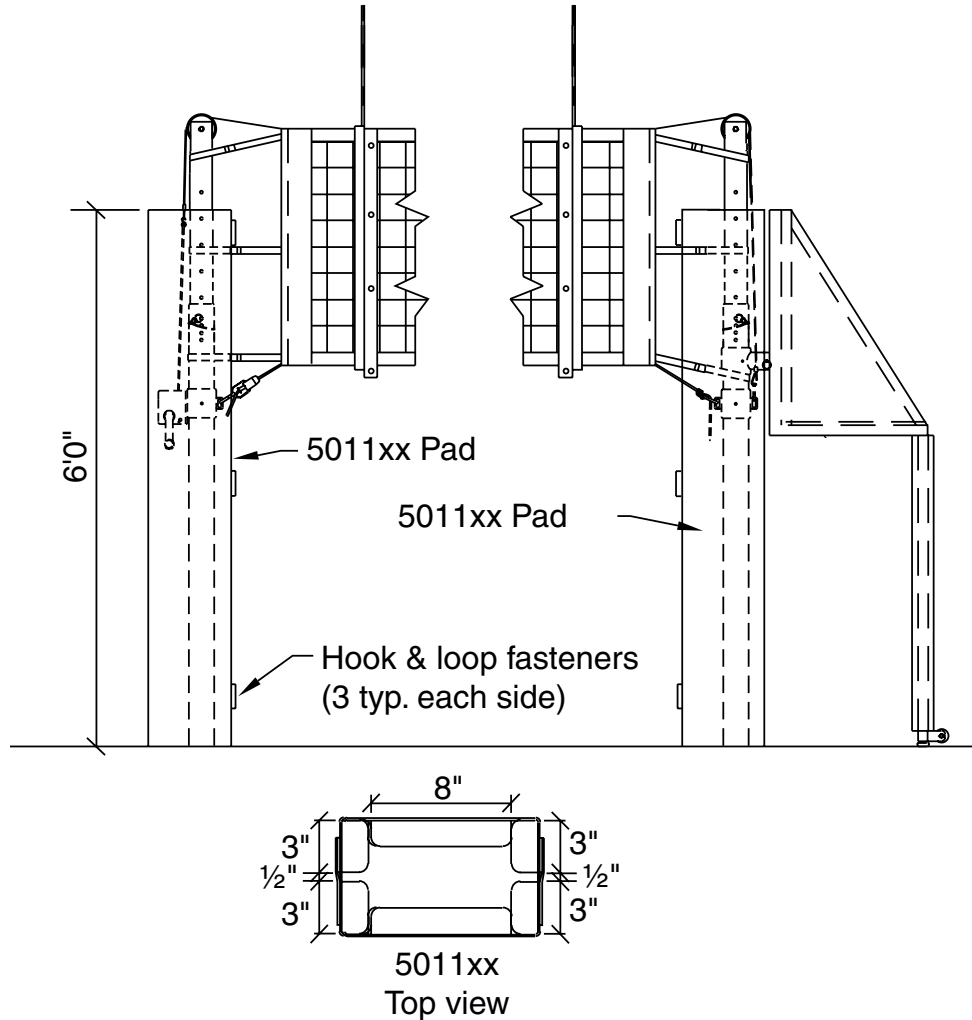


5011xx

Volleyball System Padding Detail

by **DRAPER**



Specifications—5011xx

Volleyball System Padding Detail

Product Description

Official padding for 500001 PVS-01 3½" O.D. Power Volleyball System and 500010 CVS-01 3½" O.D. Competition Volleyball System shall be 5011xx, specially designed pads for the 3½" O.D. sleeve type volleyball standards by Draper, Inc. of Spiceland, IN. Pads shall be hinged at corners to fold neatly around posts and tensioning winch to provide maximum player protection. Pads shall be constructed of 1¼" thick ethafoam filler covered with polyester reinforced vinyl with three (3) hook and loop fastening straps for quick set-up and take-down, and shall be constructed to accommodate winch, or judges stand when used.

Standard pads are Dark Blue in color unless otherwise specified. Last two digits indicate pad color. Colors available: 01 White; 02 Marine Blue; 04 Red; 05 Beige; 06 Orange; 07 Yellow; 08 Grey; 09 Maroon; 10 **Dark Blue (standard)**; 11 Black; 12 Purple; 13 Forest Green; 14 Kelly Green; 15 Navy Blue. Consult your Draper, Inc. dealer for details and color sample chart.

Pads sold as pair unless otherwise specified.

DRAPER

411 S. Pearl St., Spiceland, IN 47385 USA ■ 765-987-7999 ■ fax 765-987-7142
e-mail draper@draperinc.com ■ www.draperinc.com

Copyright © 2015 Draper Inc. Form VB-5011xx-PaddingDetail_Sub15 Printed in U.S.A.

PROJECT: _____

ARCHITECT: _____

CONTRACTOR: _____

SUPPLIER: _____

DATE: _____ REVISED: _____