

DecoFlex Digital Keypad

Somfy Digital Network



Item #: 1811252, 1811253

OVERVIEW:

The **Somfy Digital Keypad for Somfy Digital Network (SDN)** is an intelligent control device providing a hard-wired in-wall user interface for stand-alone SDN shading systems. Keypads provide users a familiar way to adjust their environment for personal comfort. Each keypad communicates directly with intelligent motors in the system without the need for a centralized system controller, distributing intelligence across the network, ensuring reliable operation.

Every DecoFlex Digital Keypad uses a priority based command structure which allows multiple keypads to have different levels of authority. For example, a system can be programmed to prioritize life-safety and facility manager control over local user control.



Available in both 6 button and 8 button configurations, the DecoFlex Digital Keypad comes with default engraved buttons (shown at right). Custom engraved buttons are available. Each keypad also includes 8 dry contact inputs on the reverse, regardless of the number of buttons on the front. All contacts, even those not associated to a specific front button, are programmed to output SDN commands for the control of intelligent motors on the network.

SOMFY DIGITAL NETWORK SYSTEM OVERVIEW:

Somfy Digital Network (SDN) is Somfy's intelligent wired shading network. An SDN system is comprised of bus distribution devices that create a network for user interfaces, motorized applications and sensors to be connected. SDN is scalable, and suitable for both small and large projects, and the same components are used whether an SDN system remains standalone, integrated into third party automation systems, or with Somfy's animeo® IP automated total solar management system.

TECHNICAL SPECIFICATIONS:

- Input: 24V DC
- Power consumption: 10mA supplied by SDN Bus
- Material: Face plates and Buttons: Lexan 945U
- Back housing: Fire retardent grade of ABS-FR 15 Na100
- Mounting: Single gang
- Dimensions: 1 7/16" x 1 1/2" x 4 1/16" (without wall plate)
- Face plate dimensions: Standard Decora
- Operating temperature range: Ambient temperature
- Shipping weight: Actual weight: 0.25 - 0.3 lbs.
- LED: Red - Rear (power) (flashes when powered)
- Front (status) (flashes when transmitting).

FEATURES SUMMARY:

- Directly control intelligent motors either individually, by group, facade or an entire building.
- Each button can be programmed with different commands for Press, Release and Hold
- Set intermediate position at current shade position via button press
- Keypad configurations can be exported and backed up
- Dry contact inputs
- Custom engraved buttons available
- Standard Decora size
- Includes wall plate and dry contact terminal blocks

WHAT'S IN THE BOX:

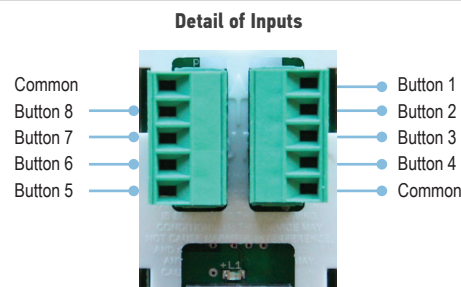
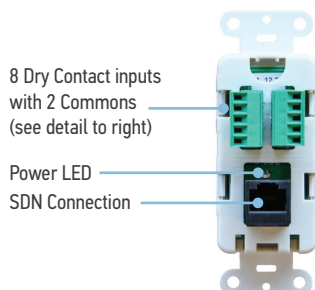
- (1) Keypad
- (1) Face plate with screws
- (2) 1" screws

OPTIONAL COLORS:

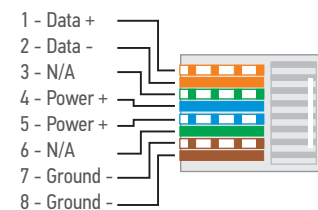
- White: 6 Button #1811252
- Black*: 6 Button #1811311
- Ivory*: 6 button #1811334
- White: 8 Button #1811253
- Black*: 8 Button #1811312
- Ivory*: 8 button #1811335

NOTE: Special lead times may apply

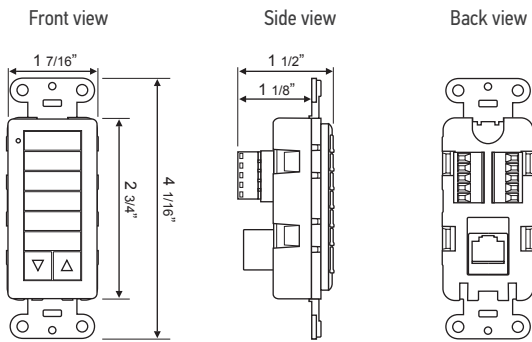
CONNECTIONS AND INDICATORS:



CABLE PINOUTS:



DIMENSIONS:



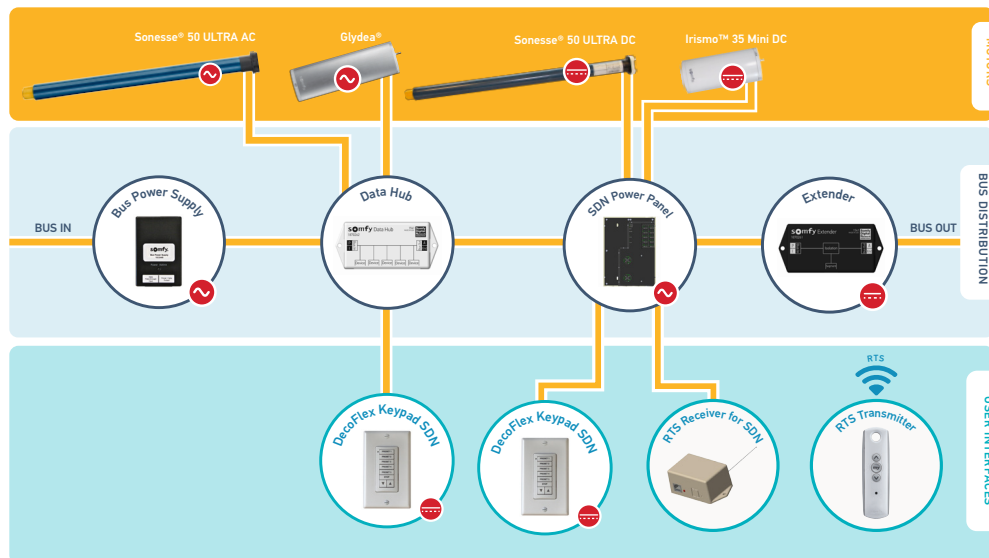
DRY CONTACT INTEGRATION:

Every keypad has 8 dry contact inputs, providing a simple method of integration with third party automation systems. Each input corresponds to a front button on the keypad; when a dry contact is closed the button is "pushed", sending the same SDN command as if the user were physically pushing a button. Connecting to a keypad is easy using the included 5 pin termination blocks. Each connection requires 2 conductors (supporting up to 14 AWG) from the third party system. One attaches to the corresponding button input and the other attaches to the common pin on the corresponding termination block.



BEST WIRING PRACTICES

The DecoFlex Digital Keypad has a single SDN connection which is utilized for both communication and power. Connecting the Keypad to the SDN bus is easy using any SDN Data hub as any free port can support a keypad. It is recommended that wires connecting the Keypad to the SDN bus are no more than 30 feet.



KEYPAD CONFIGURATION:

The DecoFlex Digital Keypad for SDN has 8 fully programmable buttons which can be configured to control any motor or group through the Somfy Switch Configuration Software. Once a keypad is fully configured, all of the settings can be exported to a file for backup.

Configuration Features:

- All buttons can be configured with different commands for Press, Release, and Hold which means each button can perform up to 3 motor functions
- Any button can be configured to control any individual motor or motor group
- Keypads are addressable, useful for later configuration over the SDN bus
- 255 Keypad command priority levels

Available Commands:

- Go to upper/lower limit
- Go to specific intermediate position
- Go to absolute position
- Go to a percentage
- Lock motor at a priority level
- Cycle through specific commands on one button
- Momentary jog up or down by millisecond or number of pulses
- Lock the motor at a limit, intermediate position or current position
- Set intermediate position at current shade position
- Unlock
- Stop

Switch and DC #1

UP limit On Press Seq

NONE On Hold

STOP On Release

Src Group

Dest = Group P-P Specific

Displayed button configuration will raise the shade on Press, and on Release, the shade will stop at it's current position.