

EZ-Sharpshooter 96 Portable Basketball System

by **DRAPER**

Specifications—

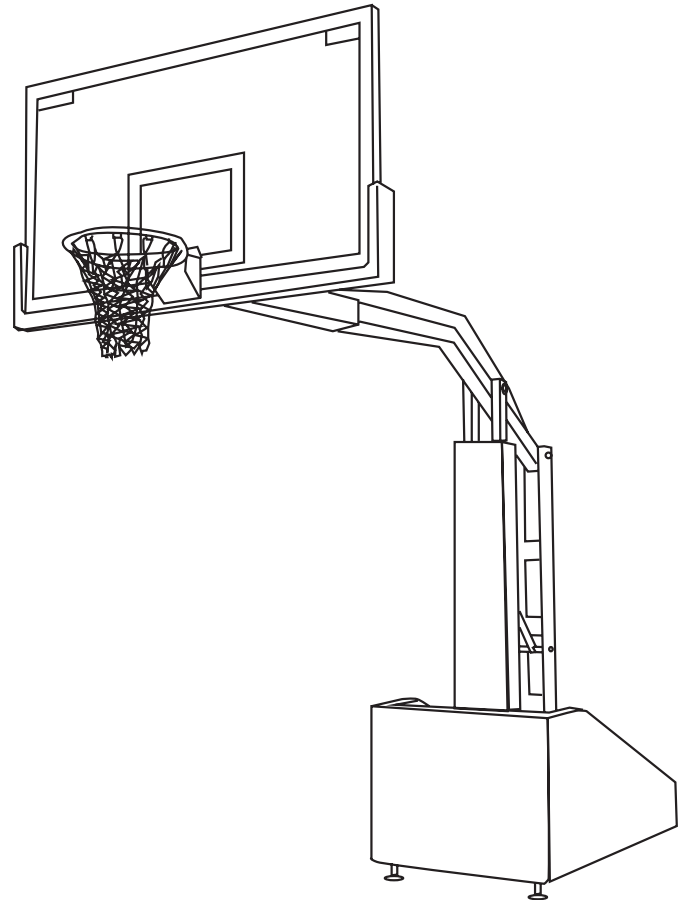
EZ-Sharpshooter 96 Portable Basketball System

Portable Basketball System shall be provided by Draper, Inc., of Spiceland, IN. EZ-Sharpshooter 96 Portable Basketball System shall provide a competition size 42" x 72" glass backboard and competition breakaway goal on a fully padded portable base when rim was set at 10'. Face of backboard shall be a minimum of 96" from the front of the padded base. Backboard shall be ½" tempered glass with official white border and shooter's square and extruded aluminum frame. Backboard shall be designed so that the basketball rim mounts through the glass into the horizontal extension of the base to reduce stress on the glass during play. Breakaway rim shall be designed to flex with equal pressure in any direction around the front 180° circumference of the ring and have a tubular net attachment system. Backboard padding shall be bolt-on molded urethane with steel inserts molded into the padding. Padding shall be available in choice of 12 colors. Entire system shall meet all rules for high school and collegiate play. Backboard and goal shall be suspended by means of a pivoting, welded steel structure that uses extension spring technology to counterbalance the weight of the backboard and goal to raise and lower the goal for play and storage. Primary structural steel components shall be a minimum of 4" x 4" and 4" x 2" tubing with a minimum ¼" wall thickness. Horizontal extension arm shall be reinforced by no less than two ¼" thick steel members for no less than 7' of the arm length. All pivot points to facilitate lowering for storage shall be 1¼" steel pivot pins riding on self lubricating bronze bearings. Welded base shall provide a fully enclosed ballast compartment that is properly loaded with steel ballast at the factory. Goal shall be raised and lowered by one person and locked at the desired rim height or storage position by means of a telescoping height adjustment mechanism that has permanent rim height markings. Rim shall be capable of height settings from 7' to 10' in 6" increments. All steel components shall have a textured white polyester powder coated finish.

Entire basketball system shall rest on the floor when in the storage position on six (6), 8" diameter, 2" wide urethane casters. When rolled into playing position, front of system shall be lifted from the front wheels onto two 4" diameter urethane stabilizer pads. Stabilizer pads shall be lowered by means of a threaded lead screw located at the top front corners of the base.

Entire front and sides of the base and front of the structural upright shall be padded a minimum of 2" thick in choice of 12 colors. Lower surface of horizontal extension arm shall be padded to a distance of 60" from the rear of the backboard. Front locator pins and floor locator bushings and rear hold-downs shall be standard with the system. System weight shall be approximately 2,350 lbs. The padded base shall be approximately 40" wide x 74" long. The total stored dimension shall be approximately 76" wide x 165" long x 78" high.

Components shall carry the following minimum warranties. Backboard, limited lifetime; Structure, 10-year limited; Backboard Edge Padding, 10-year and Breakaway Goal, 5-year.



Please Mark Appropriate Selections

Select Padding Color

- Royal Blue
- Scarlet
- Black
- Maroon
- Navy*
- Forest Green*
- Gold*
- Purple*
- Orange*
- Kelly Green*
- Columbia Blue*
- Grey*

*These colors may require longer lead time. Contact Draper, Inc. for details.

DRAPER

PROJECT: _____

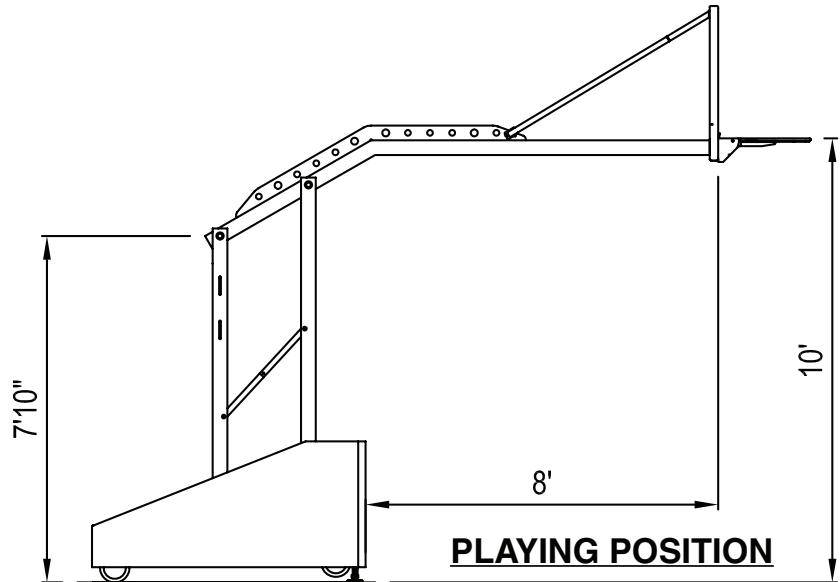
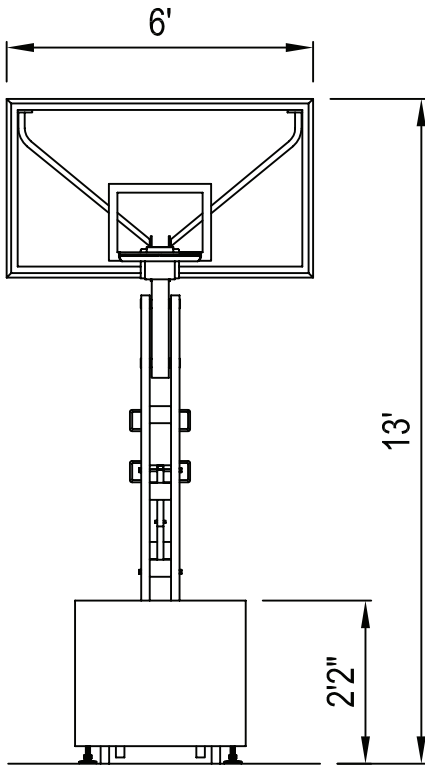
ARCHITECT: _____

CONTRACTOR: _____

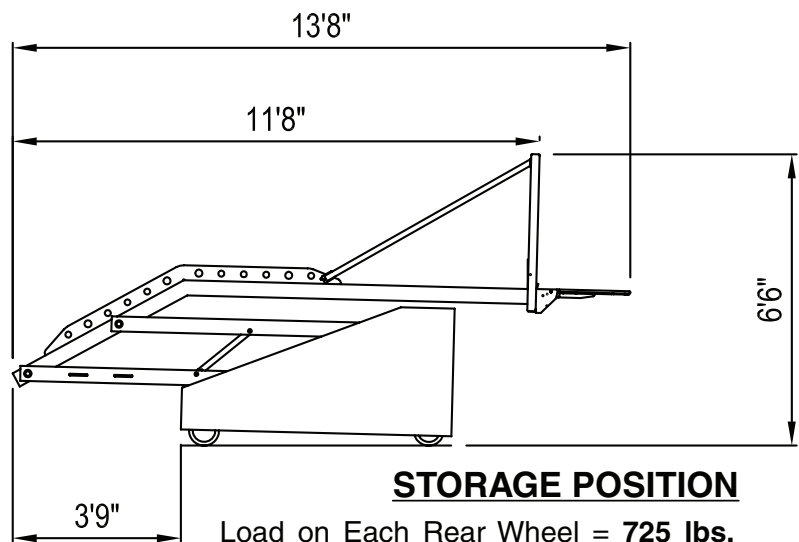
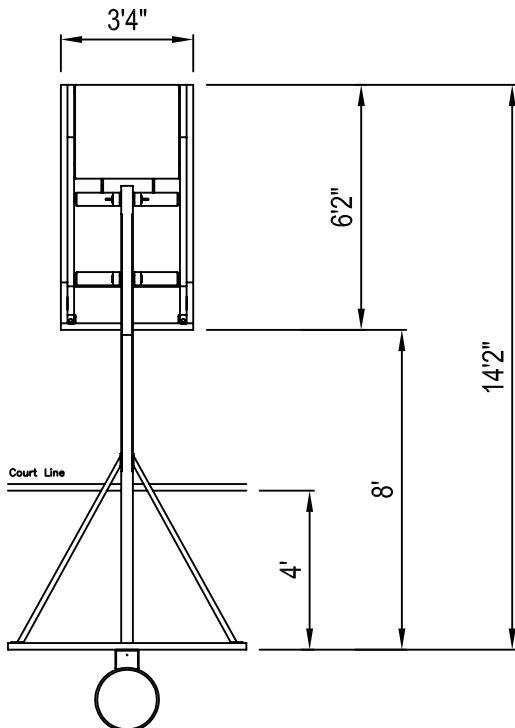
SUPPLIER: _____

DATE: _____ REVISED: _____

Dimensions—EZ-Sharpshooter 96 Portable Basketball System



Load on Each Rear Wheel = 465 lbs.
 Load on Each Front Pad = 690 lbs.



Load on Each Rear Wheel = 725 lbs.
 Load on Each Front Pad = 430 lbs.