

# Motorized FlexShade® AC

Standard 4-Wire Motors have no built-in intelligence.

## SUBMITTAL TECHNICAL INFO

**Please check all appropriate selections and attach room schedule with verified dimensions.**

### Select Number of Shades per Unit

- Single Roller (Standard)
- Dual Roller (Supplemental Fabric & Hardware Sheet Required)

**Please Note:** If you are specifying a DUAL ROLLER FLEXSHADE, please complete the options BELOW and attach the [Motorized Dual Roller Fabric and Hardware Planning Sheet](#).

### Select Motor Location

As seen from *INSIDE* the room facing the window. Also indicate on room schedule.

- Right Side (standard)
- Left Side

### Select 120V AC Motor

- Sonesse Motor (standard)
- Sonesse Ultra Motor

### Select Control Options

- 120V Wall Switch for Single Shade Control
- Low Voltage and/or Multiple Shade Control

### Coupled Shades

- Yes (How Many Fabric Panels? \_\_\_\_\_). Also indicate on room schedule.
- No

### Select Fabric Orientation

- Regular Roll (from back of roller)
- Reverse Roll (from front of roller)

### Select Fabric Attachment

- Standard
- Optional Spline Attachment

### Select Slat Style

- Closed Pocket - 1" (25mm) Elliptical (standard)
- Open Pocket - 1" (25mm) Elliptical
- Small Flat Exposed Hem Bar
- Large Flat Exposed Hem Bar
- Round Exposed Hem Bar
- 1 3/16" (30mm) Tube
- 5/8" (16mm) Tube
- None

### Single Roller Motorized Shade Options

Fabric Series: \_\_\_\_\_

Color Name / Number: \_\_\_\_\_

Openness Factor: \_\_\_\_\_

Please visit [Draper Fabric Options](#) for fabric colors and specifications.

### Select Single Roller Hardware

- Brackets Only
  - Wall
  - Ceiling
- Endcaps Only
- Endcaps w/Fascia
- Surface Headbox (Fascia & Top/Back Cover)
- Headbox
  - Pocket Style Headbox
  - Type "D" Pocket w/Tile Lip (White; not available w/ 3" roller)
  - Custom Headbox
- Wall Clip
  - With Ceiling Tile Lip
  - Without Ceiling Tile Lip
- Closure Panel for Wall Clip, Type "D" Pocket or Custom Headbox
  - 1 1/2" (38mm)
  - 3" (76mm)
  - 5" (127mm) (For Wall Clip and Custom Headbox Only)
- Light Gap Reduction Hardware
  - 'L' Angle
  - 'U' Channel
  - 'H' Channel
  - Channel Liners

### Select Hardware Finish (does not apply to Type "D" Pocket)

- |  |  |
|--|--|
| <input type="checkbox"/> Clear Anodized (standard) | <input type="checkbox"/> Black                   |
| <input type="checkbox"/> White                     | <input type="checkbox"/> Ivory                   |
| <input type="checkbox"/> Bronze                    | <input type="checkbox"/> Custom (Contact Draper) |

### Available Sizes:

WIDTH:	2'	3'	4'	5'	6'	7'	8'	9'	10'	11'	12'	13'	14'
HEIGHT:													
2'													
3'													
4'													
5'													
6'													
7'													
8'													
9'													
10'													
11'													
12'													
13'													
14'													

\* Sizes requiring large endcaps/brackets will vary according to fabric.

- Small endcaps/brackets and 2" (51mm) roller are recommended.
- Large endcaps/brackets and 3" (76mm) roller may be required.

PROJECT: \_\_\_\_\_

ARCHITECT: \_\_\_\_\_

CONTRACTOR: \_\_\_\_\_

SUPPLIER: \_\_\_\_\_

DATE: \_\_\_\_\_ REVISED: \_\_\_\_\_



## Specifications

### EQUIPMENT

**SONESSE 506 (C047.250):** Drive unit inside roller, 4-wire, instantly reversible, lifetime lubricated. Right hand motor location standard. Left hand available. Adjustable limit switches, thermal overload protector and electric brake. Operates on 110-120V AC 1 PH 60 HZ current. Draws 1.2 Amps. Sound level ≤ 45 dBA.

**SONESSE 510 (C047.251):** Drive unit inside roller, 4-wire, instantly reversible, lifetime lubricated. Right hand motor location standard. Left hand available. Adjustable limit switches, thermal overload protector and electric brake. Operates on 110-120V AC 1 PH 60 HZ current. Draws 1.67 Amps. Sound level ≤ 47 dBA.

**SONESSE ULTRA 506 (C047.244):** Drive unit inside roller, 4-wire, instantly reversible, lifetime lubricated. Right hand motor location standard. Left hand available. Adjustable limit switches, thermal overload protector and electric brake. Operates on 110-120V AC 1 PH 60 HZ current. Draws 0.95 Amps. Sound level ≤ 38 dBA.

### HARDWARE

**ROLLERS:** Extruded aluminum or steel. Roller assembly easily removable.

**OPTIONAL FABRIC ATTACHMENT:** Fabric attached to roller tube with spline fabric attachment method. Allows for removal of fabric panel without removal of roller assembly.

**MOUNTING BRACKETS:** 1018 plated steel stamping. **2 SIZES:** 1 5/8" (41mm) and 2 1/4" (57mm). Styles for mounting to wall, ceiling, or jamb. Brackets do not require additional adapters.

**ROLLER IDLER ASSEMBLY:** Type 6/8 injected molded nylon and a zinc-plated cold rolled steel pin. Sliding pin for easy installation and removal of the roller.

**SLAT:** Aluminum, min. 1/8" x 1" (3 x 25mm), encased in heat sealed hem.

**ENDCAPS:** 1028 steel stamping. **2 SIZES:** 3 1/4" x 3 3/4" (83x95mm) and 4 1/2" x 4 1/2" (114x114mm). Complete with adapter roller bracket. Installs to wall, ceiling, or jamb. Accepts fascia or headbox.

**ENDCAP COVERS:** Plastic covers snap onto endcaps. Available in silver, ivory, bronze, black or white to match fascia.

**FASCIA:** "L" cover of extruded aluminum, .060 (1.5mm) wall. Fascia snaps onto endcaps. Clear Anodized (standard), black, white, ivory, or bronze powder coat finish available. Continuous fascia available with coupled units.

**SURFACE HEADBOX:** Consists of fascia, L-shaped back/top cover. Endcaps slide into extrusion without exposed fasteners.

**POCKET HEADBOX:** Optional, for pocket installation, includes a U-shaped back/top/front cover with removable bottom closure panel. **SMALL SIZE:** 3 7/8" x 3 15/16" (98x100mm). **LARGE SIZE:** 4 11/16" x 4 11/16" (119x119mm). Some exposed fasteners required.

**TYPE D POCKET:** Type D Shade Pocket, to be fabricated of steel for perimeter installation. Accepts FlexShades installed with ceiling brackets. Finished in white paint. 5" x 5 3/8" x .125" (127x136x3mm) with 7/8" (22mm) tile support lip & removable bottom closure.

**LIGHT GAP REDUCTION HARDWARE:** Extruded Aluminum. Accepts edges of fabric, prevents light gaps. Interior of channel provides for use of flat head screws.

**"L" ANGLE:** 3/4" x 1" x 12'3" (1.9x2.5x373cm); 1" x 2 3/4" x 16' (2.5x7x488cm) or cut to length.

**"U" CHANNEL:** 1" x 2 1/2" x 16' (2.5x76x488cm) or cut to length.

**"H" CHANNEL:** 1" x 5" x 16' (2.5x12.7x488cm) or cut to length.

**COUPLER ASSEMBLY:** Zinc plated steel Coupler Shafts shall be retractable into coupler assembly for ease of installation and to lock units in place. Zinc plated steel coupler brackets shall have spherical OD bearings allowing for misalignment of the mounting brackets of up to 1.25-degrees. One motor or crank operator to drive additional shade rollers. Patent pending.

**PATENT INFORMATION:** available at <http://www.draperinc.com/legal/patents/>

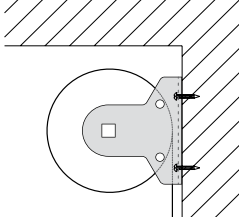
**DOWNLOADABLE 3-PART SPECIFICATIONS:** available at [www.draperinc.com](http://www.draperinc.com).

**Please note:** Dimensions of rollers, operators and hardware at manufacturer's discretion.

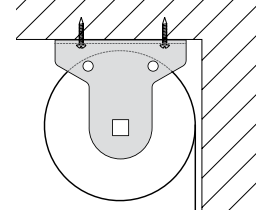
## Hardware Selections

**Please Note:** Brackets and endcaps have the attachment points for mounting a Motorized FlexShade. Optional fascia and headbox have a thickness of 1/16" (1.5mm).

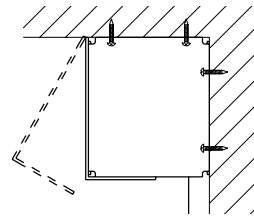
Wall Mounting Bracket



Ceiling Mounting Bracket



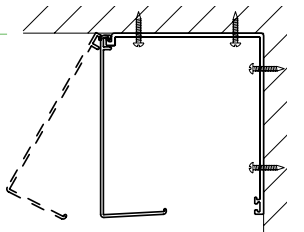
Fascia with Ceiling / Wall Mounting Endcaps



## Headbox Installation Options

### Surface Headbox

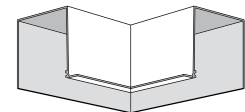
- Consists of:
- Fascia,
  - Back/Top Cover
  - Ceiling/Wall Endcaps



### Type D Pocket

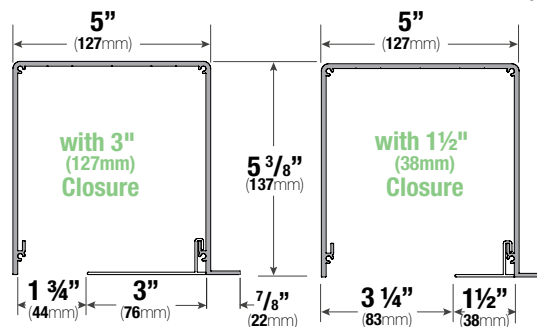
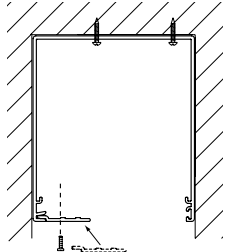
- Consists of:
- Fabricated steel pocket.
  - A lip supports lay-in ceiling.
  - Pre-welded corners and ends available.
  - Ends with or without tile support lip.

Typical pre-welded corner section (not to scale)



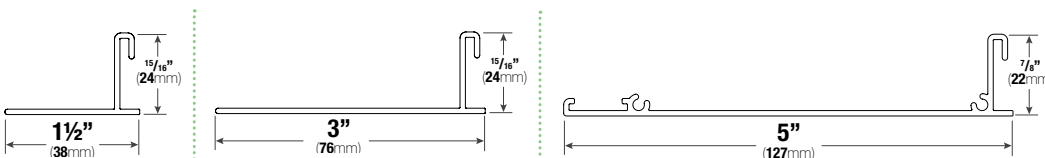
### Pocket Style Headbox

- Consists of:
- Extruded pocket
  - Bottom closure panel
  - Ceiling/Wall Endcaps

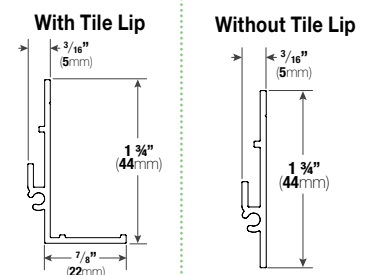


## Closure & Wall Clip Options

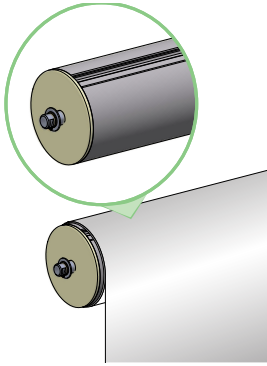
### Closure Options



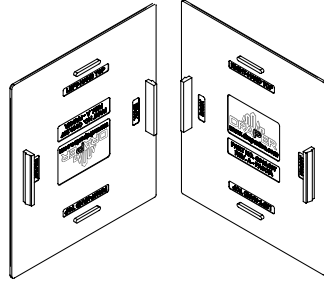
### Wall Clip Options



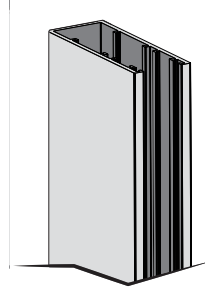
Spline Fabric Attachment



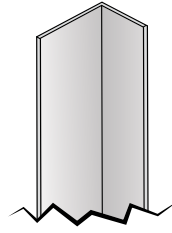
Endcap Covers



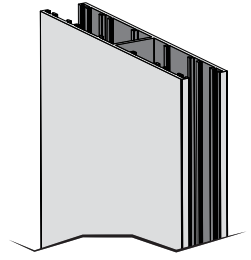
"U" Channel



"L" Angle

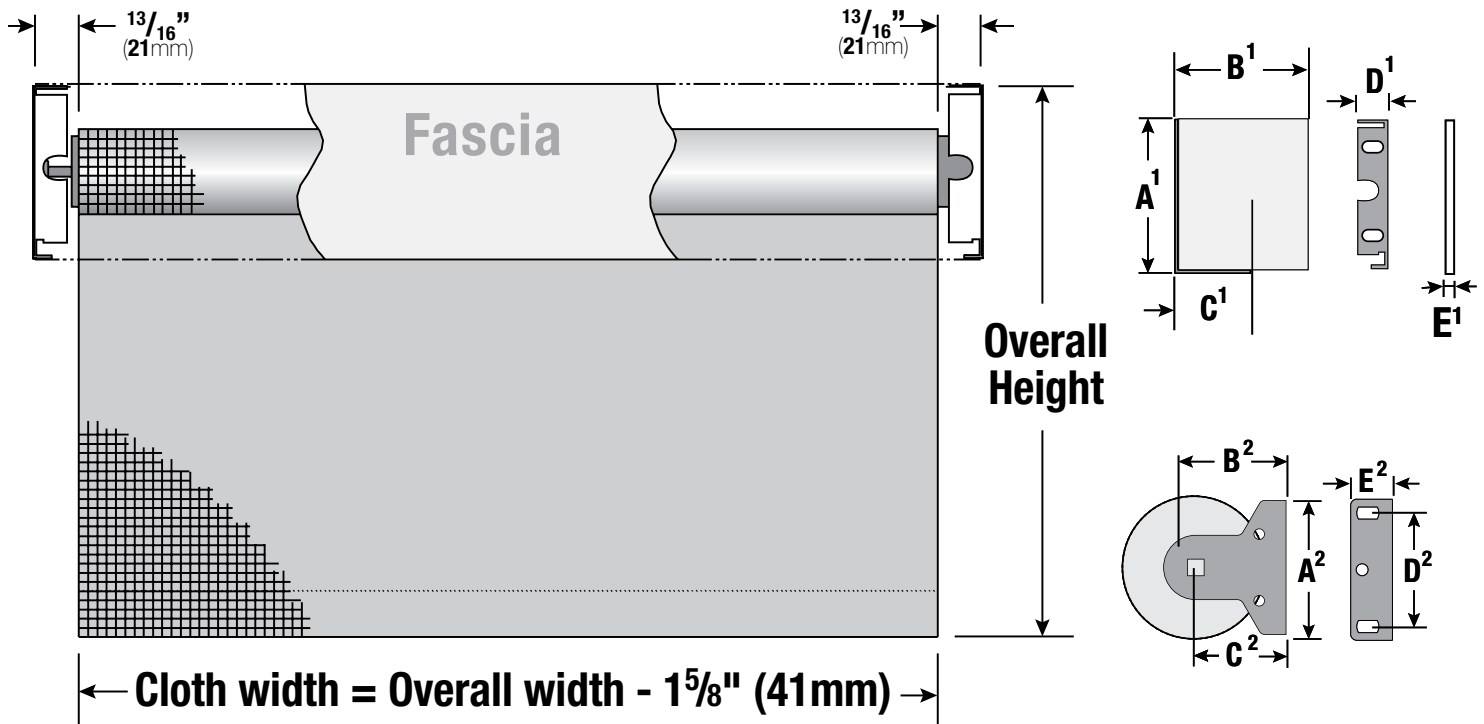


"H" Channel



## Motorized FlexShade Dimensions

Fascia Overall Width includes plastic endcap covers. Pair adds 1/8" (3mm) to Overall Width of Small Hardware; 3/16" (5mm) to Overall Width of Large Hardware).

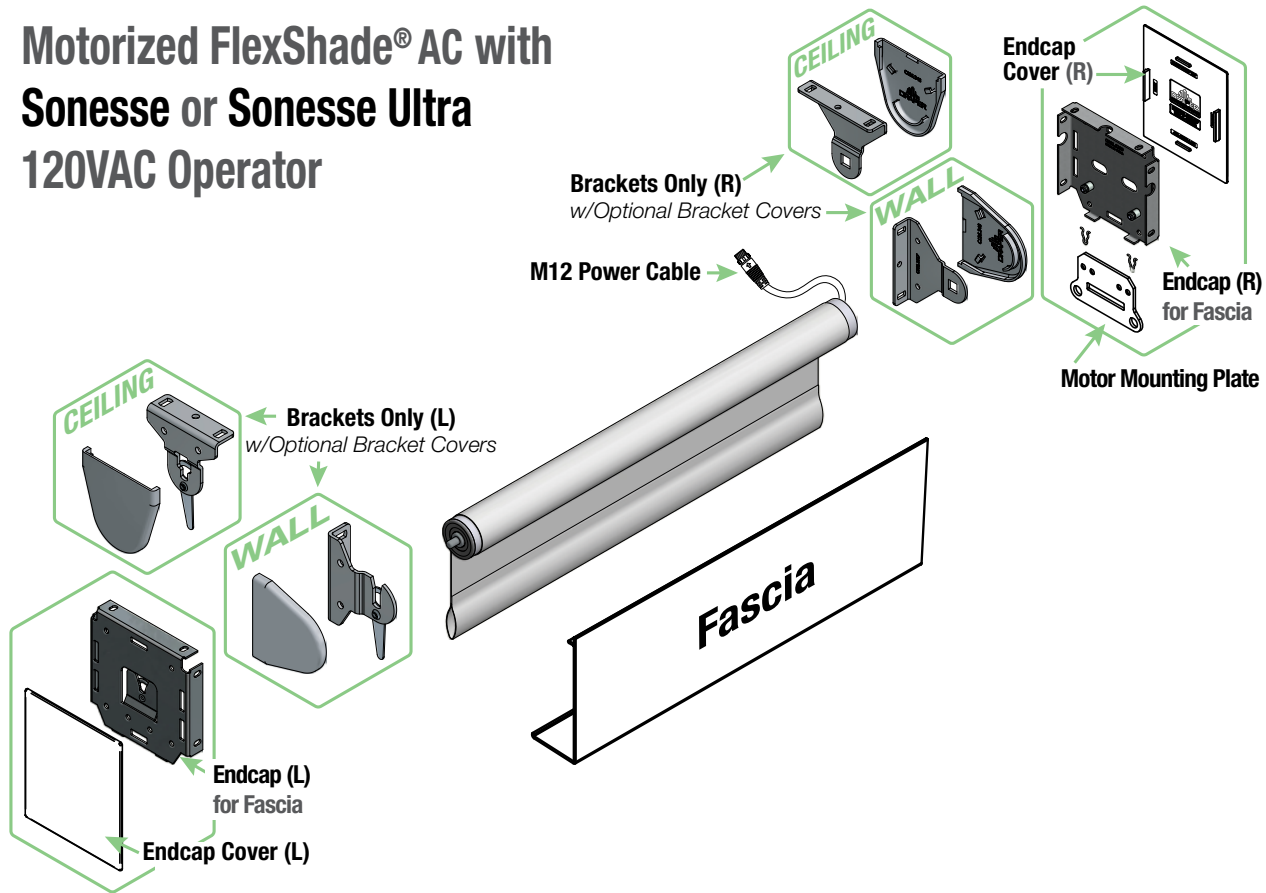


SURFACE HEADBOX WITH ENDCAPS*					ENDCAPS WITH FASCIA				BRACKETS					
	SMALL		LARGE			SMALL		LARGE			SMALL		LARGE	
A <sup>1</sup>	3 15/16"	100mm	4 11/16"	119mm	A <sup>1</sup>	3 7/8"	98mm	4 5/8"	117mm	A	2 1/2"	64mm	3 1/4"	83mm
B <sup>1</sup>	3 7/16"	87mm	4 11/16"	119mm	B <sup>1</sup>	3 3/8"	86mm	4 5/8"	117mm	B <sup>2</sup>	2"	51mm	2 5/8"	67mm
C <sup>1</sup>	1 1/2"	38mm	1 5/8"	41mm	C <sup>1</sup>	1 1/2"	38mm	1 5/8"	41mm	C <sup>2</sup>	1 5/8"	41mm	2 1/4"	57mm
D <sup>1</sup>	5/8"	16mm	5/8"	16mm	D <sup>1</sup>	5/8"	16mm	5/8"	16mm	D <sup>2</sup>	2"	51mm	2 5/8"	67mm
E <sup>1</sup>	1/16"	1.6mm	3/32"	2.4mm	E <sup>1</sup>	1/16"	1.6mm	3/32"	2.4mm	E <sup>2</sup>	3/4"	20mm	3/4"	20mm

\* For Fascia, Subtract 1/16" (1.6mm) from dimensions A and D

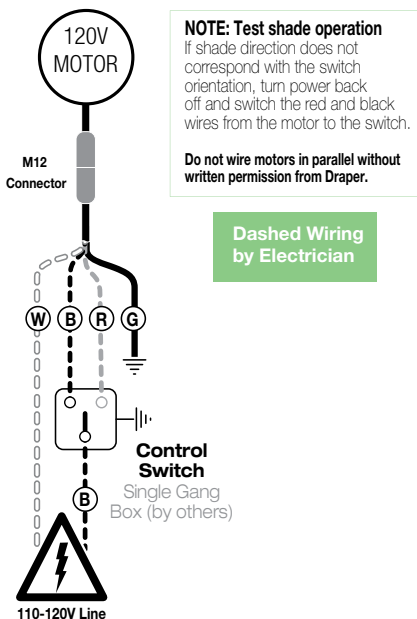
## FlexShade Components

### Motorized FlexShade® AC with Sonesse or Sonesse Ultra 120VAC Operator

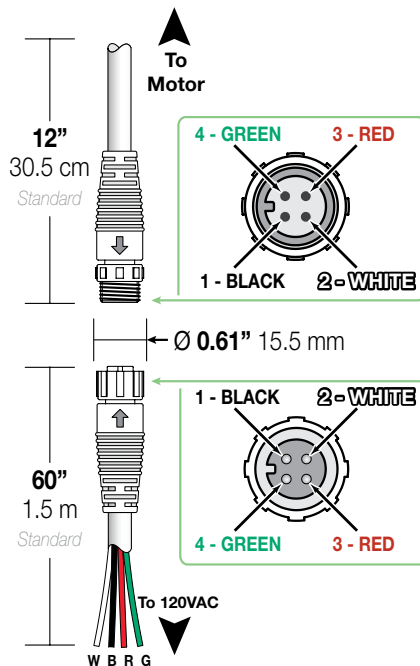


## Wiring Diagrams

### Controls & System Overview Sonesse 120VAC Motors



### M12 Connector for 4-Wire Motors



1' (30cm) motor lead with male M12 connector provided attached to each shade motor

**Other motor cables available upon request:**

- 5' (1.5m) cable with female M12 Connector
- 3' (0.91m) cable with female M12 Connector
- 6' (1.83m) cable with female M12 Connector
- 10' (3m) cable with female M12 Connector
- 24' (7.32m) cable with female M12 Connector