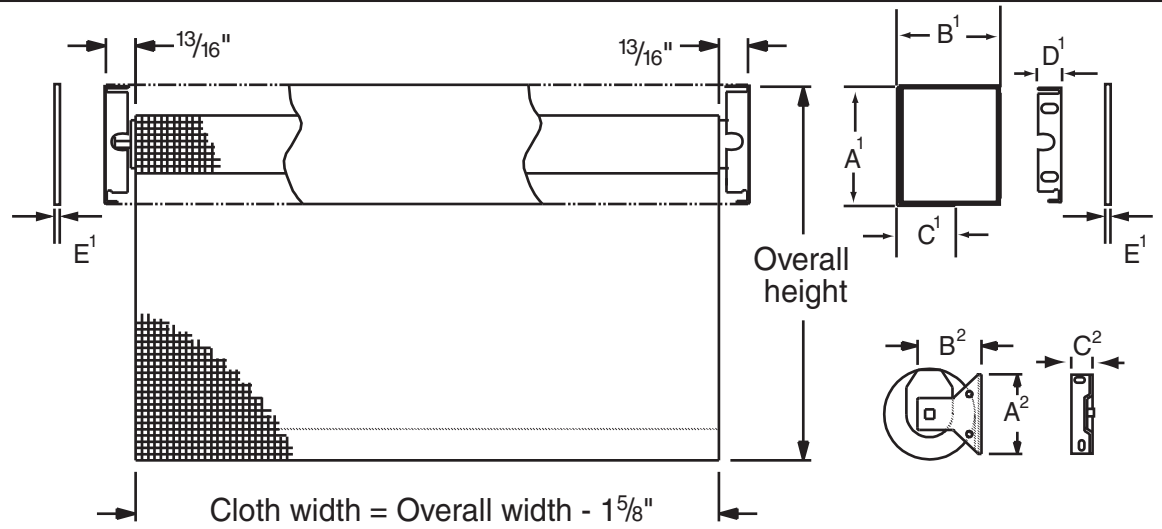


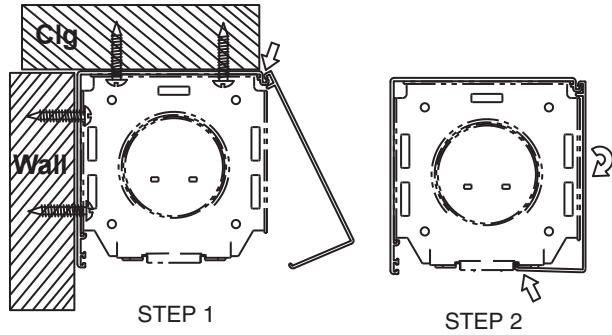
**Headbox  
with Endcaps**

Small		Large		Small		Large	
*A <sup>1</sup>	3 <sup>15</sup> / <sub>16</sub> "	*A <sup>1</sup>	4 <sup>11</sup> / <sub>16</sub> "	A <sup>2</sup>	2 <sup>1</sup> / <sub>2</sub> "	A <sup>2</sup>	3 <sup>1</sup> / <sub>4</sub> "
*B <sup>1</sup>	3 <sup>7</sup> / <sub>16</sub> "	*B <sup>1</sup>	4 <sup>11</sup> / <sub>16</sub> "	B <sup>2</sup>	1 <sup>5</sup> / <sub>8</sub> "	B <sup>2</sup>	2 <sup>1</sup> / <sub>4</sub> "
C <sup>1</sup>	1 <sup>3</sup> / <sub>16</sub> "	C <sup>1</sup>	1 <sup>9</sup> / <sub>16</sub> "	C <sup>2</sup>	3 <sup>3</sup> / <sub>4</sub> "	C <sup>2</sup>	3 <sup>3</sup> / <sub>4</sub> "
D <sup>1</sup>	5 <sup>5</sup> / <sub>8</sub> "	D <sup>1</sup>	5 <sup>5</sup> / <sub>8</sub> "				
E <sup>1</sup>	1 <sup>1</sup> / <sub>16</sub> "	E <sup>1</sup>	3 <sup>3</sup> / <sub>32</sub> "				

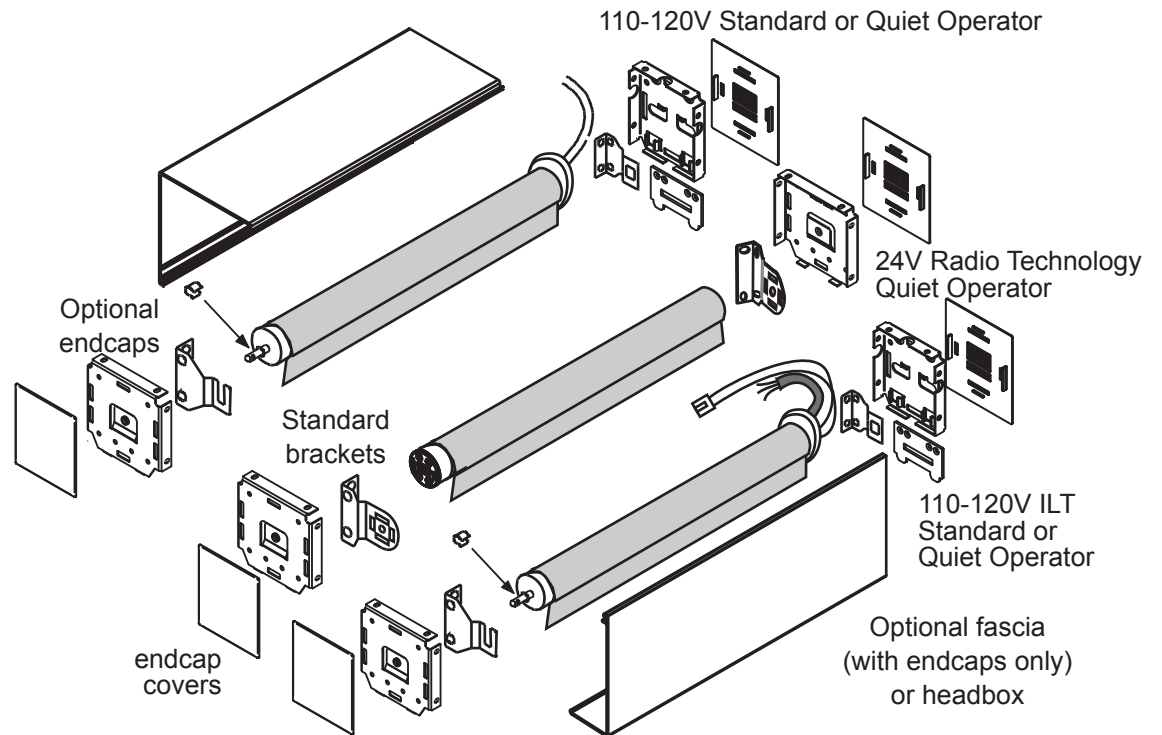
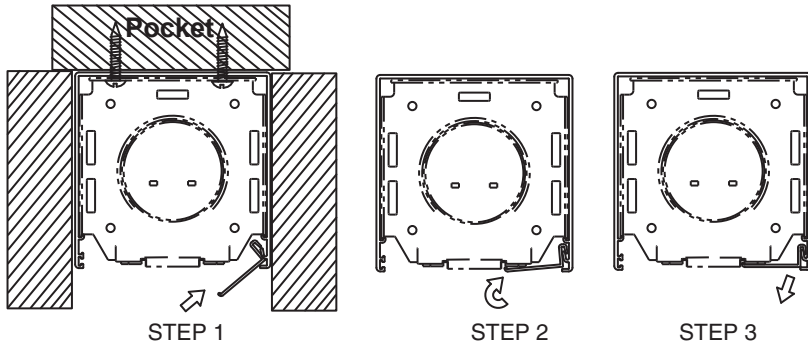
\* For Endcaps with Fascia, subtract 1/16"



**Optional Surface Headbox  
Dims, Installation and Fascia Attachment**



**Optional Pocket Headbox  
Dims, Installation and Fascia Attachment**



**DRAPER**

**Motorized FlexShade**

DRAPER, Inc., 411 S. Pearl Street, Spiceland, Indiana 47385  
EMAIL drapercontract@draperinc.com, PH 765-987-7999, FAX 866-637-5611