

# Techmatic Window Shades

Window shade with smooth, quiet operation, and independent control

## SUBMITTAL TECHNICAL INFO

### TECHMATIC CL

Please check all appropriate selections and attach room schedule with verified dimensions.

Fabric Series: \_\_\_\_\_

Color Name / Number: \_\_\_\_\_

Openness Factor: \_\_\_\_\_

Please see [Shade Fabric Reference Guide](#) on the Draper® website for fabric colors and specifications.

#### Select Bead Chain Type

- Steel Chain
  - Stainless Steel (standard)
  - Black Steel
  - White Steel
- Polyester Chain
  - Black
  - Bronze
  - White
  - Ivory
  - Grey

#### Select Operator Color

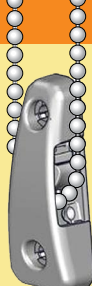
- White (standard)
- Black

#### Select Operator Location

- Right Side (standard)
- Left Side

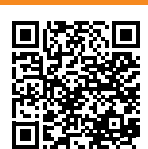
#### Select Hem Bar Style

- 1" (25mm) Kiln-Dried Maple Wood Slat (standard)
- Closed Pocket - 1" (25mm) Elliptical Slat
- Open Pocket - 1" (25mm) Elliptical Slat
- Small Rectangular Exposed Hem Bar - 7/8" x 5/16" (22mm x 8mm)
- Large Rectangular Exposed Hem Bar - 1 1/2" x 5/16" (38mm x 8mm)
- Round Exposed Hem Bar - 3/4" (19mm) diameter



#### Child Safety Information

To comply with Child Safety Standard ANSI/WCMA A100.1-2022, this product ships with a tensioning device attached to the bead chain. Incorrect installation partially disables the product. When properly fastened to mounting surface, the pre-installed Tensioned Hold Down device for clutch-operated units prevents creation of a hazardous loop by maintaining tension on the bead chain.



Scan for more information, including short videos on correctly installing the tensioning device, or go to [draperinc.com/windowshades/childsafety](http://draperinc.com/windowshades/childsafety).

#### Select Hardware

- Universal Brackets (Ceiling/Wall/Inside/Outside)
  - White (standard)
  - Black
- Endcaps only
- Endcaps with Fascia
- Headbox**
  - Ceiling / Wall (Surface Headbox)
  - Pocket Style

#### Select Hardware Finish (does not apply to Pocket Headbox)

- Clear Anodized (standard)
- Black
- Ivory
- White
- Bronze
- Custom (contact Draper)

#### Available Sizes

WIDTH:	2'	3'	4'	5'	6'
2'					
3'					
4'					
5'					
6'					
7'					
8'					
9'					
10'					
11'					
12'					



Draper, Inc. | 411 S. Pearl St. Spiceland, IN 47385  
draperinc.com | 765.987.7999 | 800.238.7999

© 2024 All Rights Reserved | FORM: Techmatic\_Sub24

PROJECT: \_\_\_\_\_

ARCHITECT: \_\_\_\_\_

CONTRACTOR: \_\_\_\_\_

SUPPLIER: \_\_\_\_\_

DATE: \_\_\_\_\_ REVISED: \_\_\_\_\_

## Specifications

### EQUIPMENT

**BEAD CHAIN CLUTCH OPERATOR:** 10 lb. High carbon steel and molded fiberglass-reinforced polyester. White (*standard*) or black in color. Bi-directional for mounting at right (*standard*) or left end of roller. Control loop, of any length, is a stainless steel (*standard*) or polyester bead chain. Polyester chain in ivory, grey, black, white, or brown. Never requires adjustment.

**OPERATOR LOCATION:** Right hand standard, left hand available.

### COMPONENTS

**ROLLERS:** Size 1 1/4" (32mm) dia. x .030 wall. Extruded aluminum. Roller assembly easily removable.

**UNIVERSAL MOUNTING BRACKETS:** Plated steel, with adequate projection to clear all window fixtures. Size small only: 1 3/8" (41mm). Brackets do not require additional adapters. White or black to match clutch color.

**FABRIC ATTACHMENT:** Fabric connected to the roller tube with LSE (*low surface energy*) double sided adhesive specifically developed to attach coated textiles to metal.

**HEM BAR:** Kild-Dried Maple Slat (*standard*) inside of a 1 3/8" (30mm) pocket.

### ALSO AVAILABLE:

**Open Pocket Elliptical Slat:** 1" (25mm) aluminum with exposed plastic ends inside of a 1 3/8" (41mm) pocket.

**Closed Pocket Elliptical Slat:** 1" (25mm) aluminum trapped inside of a 1 3/8" (41mm) heat sealed pocket.

**Flat Exposed Hem Bar:** Small: 7/8" x 5/16" (22x8mm) Large: 1 1/2" x 5/16" (38x8mm) aluminum rectangular with plastic endcaps.

**Round Exposed Hem Bar:** Small: 3/8" (16mm) Large: 1 3/8" (30mm) aluminum w/ plastic endcaps. Exposed hem bar powder coated in black, bronze, ivory, white, or clear anodized.

**ENDCAPS:** 1018 steel stamping. 3 3/8" x 3 7/8" (86x98mm) with fascia. Complete with roller mounting bracket. Installs to face, ceiling, or jamb.

**ENDCAP COVERS:** Plastic covers snap onto endcaps. Available in ivory, bronze, black, or white to match fascia.

**FASCIA:** "L" shaped cover of 6063-T5 extruded aluminum, .060 wall. Assembly snaps onto endcaps without exposed fasteners. Clear anodized finish (*standard*) or ivory, bronze, black, or white powder coat. 3 3/8" x 3 7/8" (86x98mm).

**SURFACE HEADBOX:** Consists of fascia, "L" shaped back/top cover. Endcaps slide into extrusion without exposed fasteners.

**POCKET HEADBOX:** Optional, for pocket installation, includes a "U" shaped back/top/front cover with removable bottom closure panel.

**HEADBOX SIZE:** 3 1/8" x 3 3/8" (87x100mm).

**DIMENSIONS:** Shades to fit windows with maximum protection from light streaks. Finished length of shades no less than 6" (152mm) greater than window height. Maximum width approx. 72" (183cm).

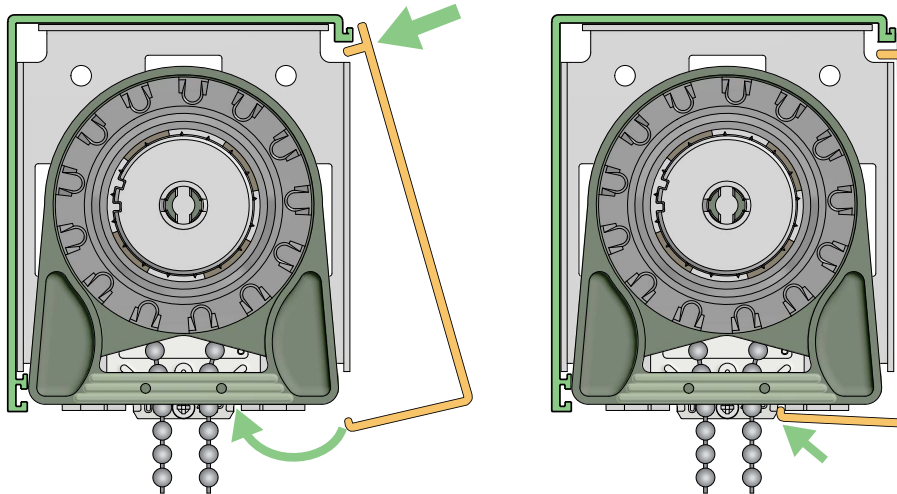
**DOWNLOADABLE 3-PART SPECIFICATIONS:** available at [www.draperinc.com](http://www.draperinc.com).

*Please note:* Dimension of rollers, operators, and hardware at manufacturer's discretion.

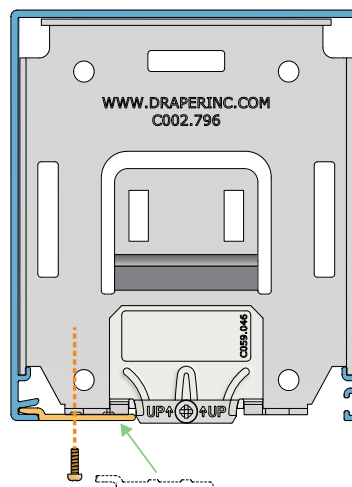
## Headbox Styles

*Please Note:* For pocket style headbox, small size will require securing closure panel to endcap with provided screw.

### SURFACE HEADBOX

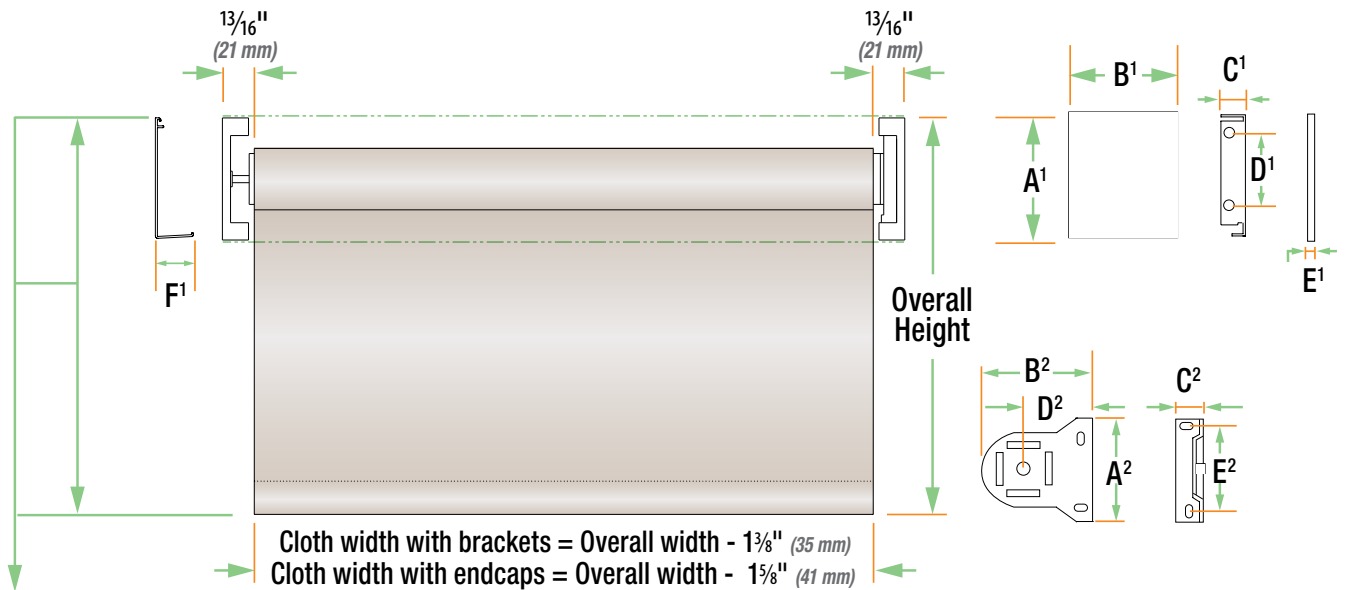
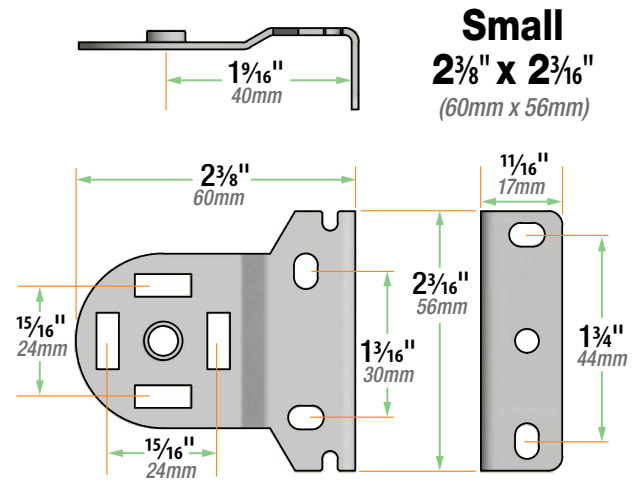
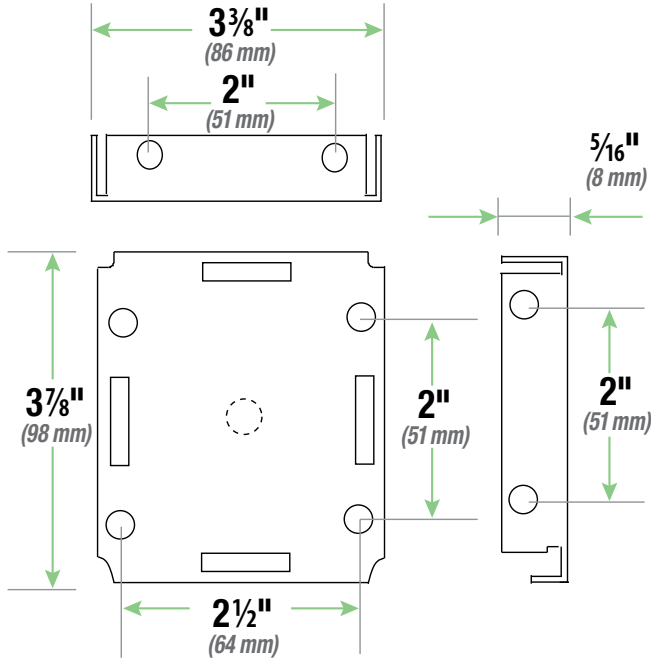


### POCKET HEADBOX



**Secure closure panel to endcap with screw.**

## Dimensions



When measuring shade height, include endcaps and fascia or headbox.

Above dimensions based upon 10 lb clutch and 1/4" (32mm) diameter roller.

	HEADBOX WITH ENDCAPS	FASCIA WITH ENDCAPS	BRACKETS
A <sup>1</sup>	3 15/16" (100mm)	3 7/8" (98mm)	A <sup>2</sup> 2 3/8" (60mm)
B <sup>1</sup>	3 7/16" (87mm)	3 3/8" (86mm)	B <sup>2</sup> 2 3/8" (60mm)
C <sup>1</sup>	5/8" (16mm)	5/8" (16mm)	C <sup>2</sup> 1 1/16" (27mm)
D <sup>1</sup>	2" (51mm)	2" (51mm)	D <sup>2</sup> 1 5/8" (41mm)
E <sup>1</sup>	1/16" (2mm)	1/16" (2mm)	E <sup>2</sup> 1 3/4" (44mm)
F <sup>1</sup>	1 3/16" (30mm)	1 3/16" (30mm)	F <sup>2</sup> N/A

## Components

