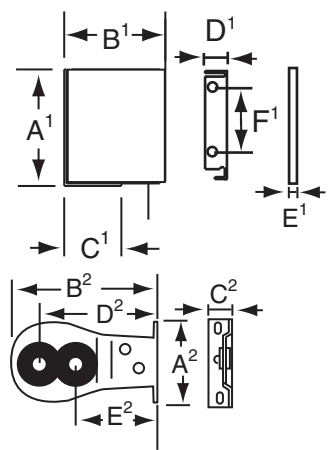
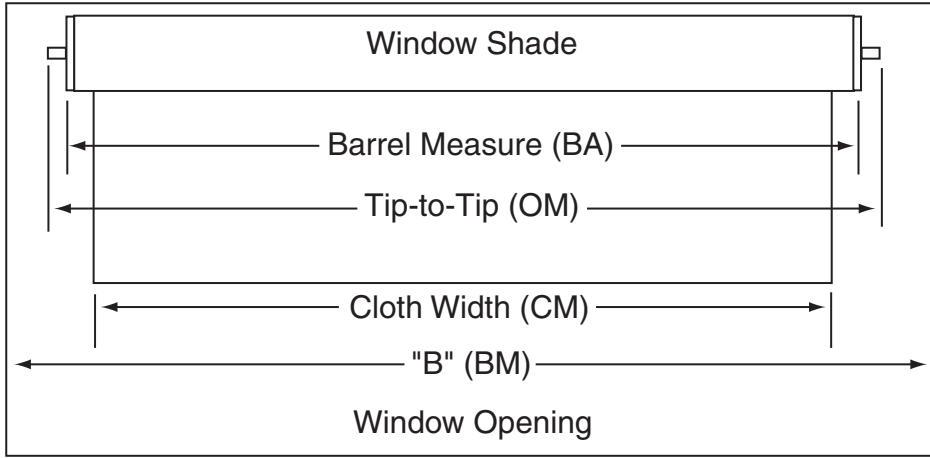
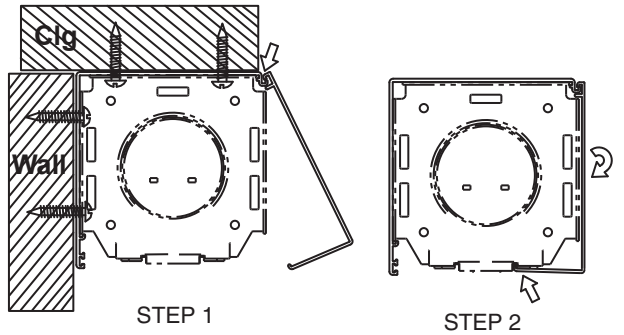


Headbox* with Endcaps			Brackets**		
	Small	Large		Small	Large
A <sup>1</sup>	3-15/16"	4-11/16"	A <sup>2</sup>	1-3/8"	1-15/16"
B <sup>1</sup>	3-7/16"	4-11/16"	B <sup>2</sup>	2"	2-5/8"
C <sup>1</sup>	1-3/16"	1-9/16"	C <sup>2</sup>	5/8"	13/16"
D <sup>1</sup>	5/8"	5/8"	D <sup>2</sup>	1 1/4"	1 3/4"
E <sup>1</sup>	1/16"	3/32"	E <sup>2</sup>	1-5/8"	2-3/16"
F <sup>1</sup>	2"	3/4"	F <sup>1</sup>	N/A	N/A

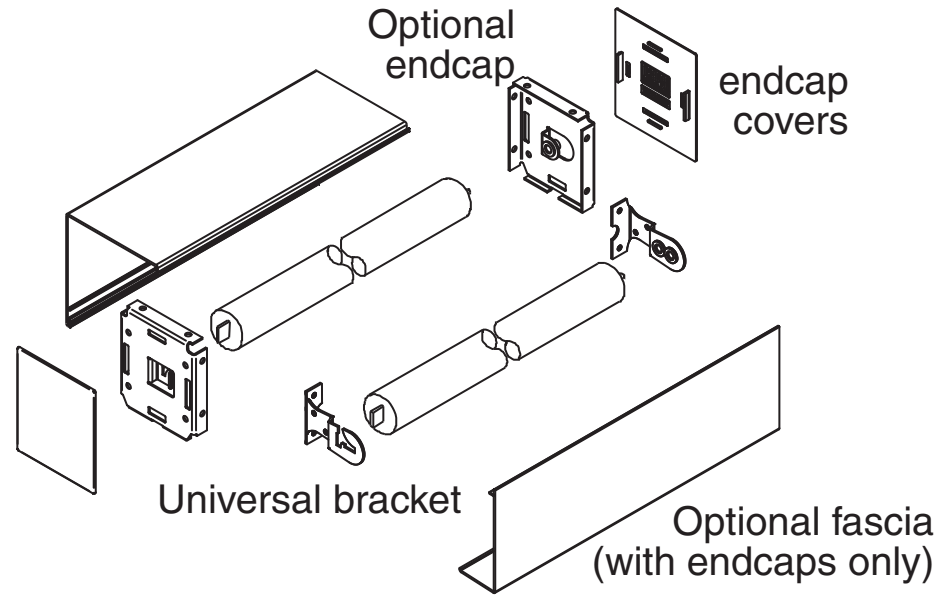
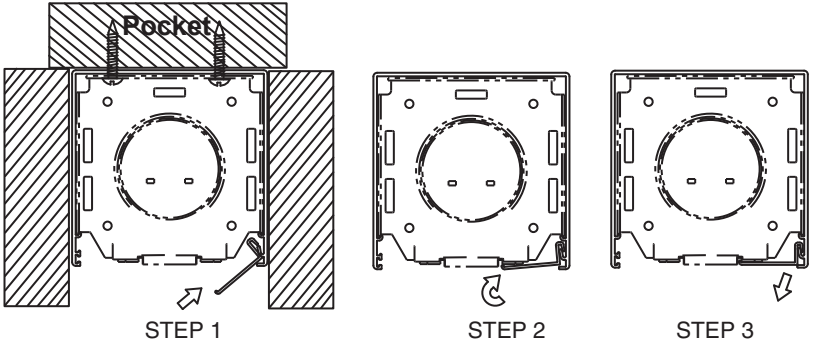
\*For fascia, subtract 1/16"  
 \*\*Please Note: When mounting brackets to the wall, use the hole closest to the wall (D2). When mounting brackets to the ceiling, use the hole furthest away from the ceiling (C2).



**Optional Surface Headbox  
 Dims, Installation and Fascia Attachment**



**Optional Pocket Headbox  
 Dims, Installation and Fascia Attachment**



**Spring Roller FlexShade**

DRAPER, Inc., 411 S. Pearl Street, Spiceland, Indiana 47385  
 EMAIL drapercontract@draperinc.com, PH 765-987-7999, FAX 866-637-5611