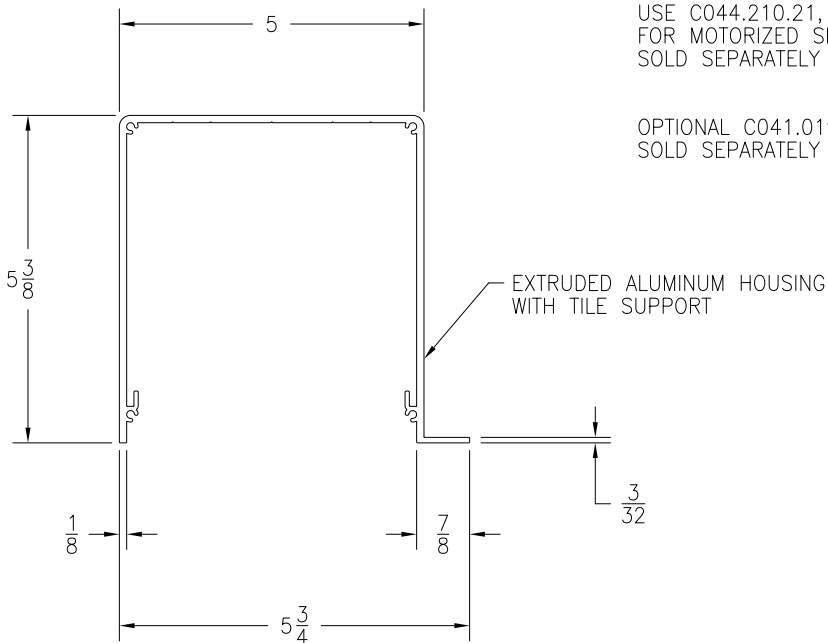


USE C044.209.21, 1-1/2" CLOSURE  
 PANEL FOR CLUTCH-OPERATED SHADES  
 SOLD SEPARATELY

USE C044.210.21, 3" CLOSURE PANEL  
 FOR MOTORIZED SHADES  
 SOLD SEPARATELY

OPTIONAL C041.019 END CAP KIT  
 SOLD SEPARATELY



## C177.080.21 Type D Pocket

DRAPER, Inc., 411 S. Pearl Street, Spiceland, Indiana 47385  
 EMAIL drapercontract@draperinc.com, PH 765-987-7999, FAX 866-637-5611