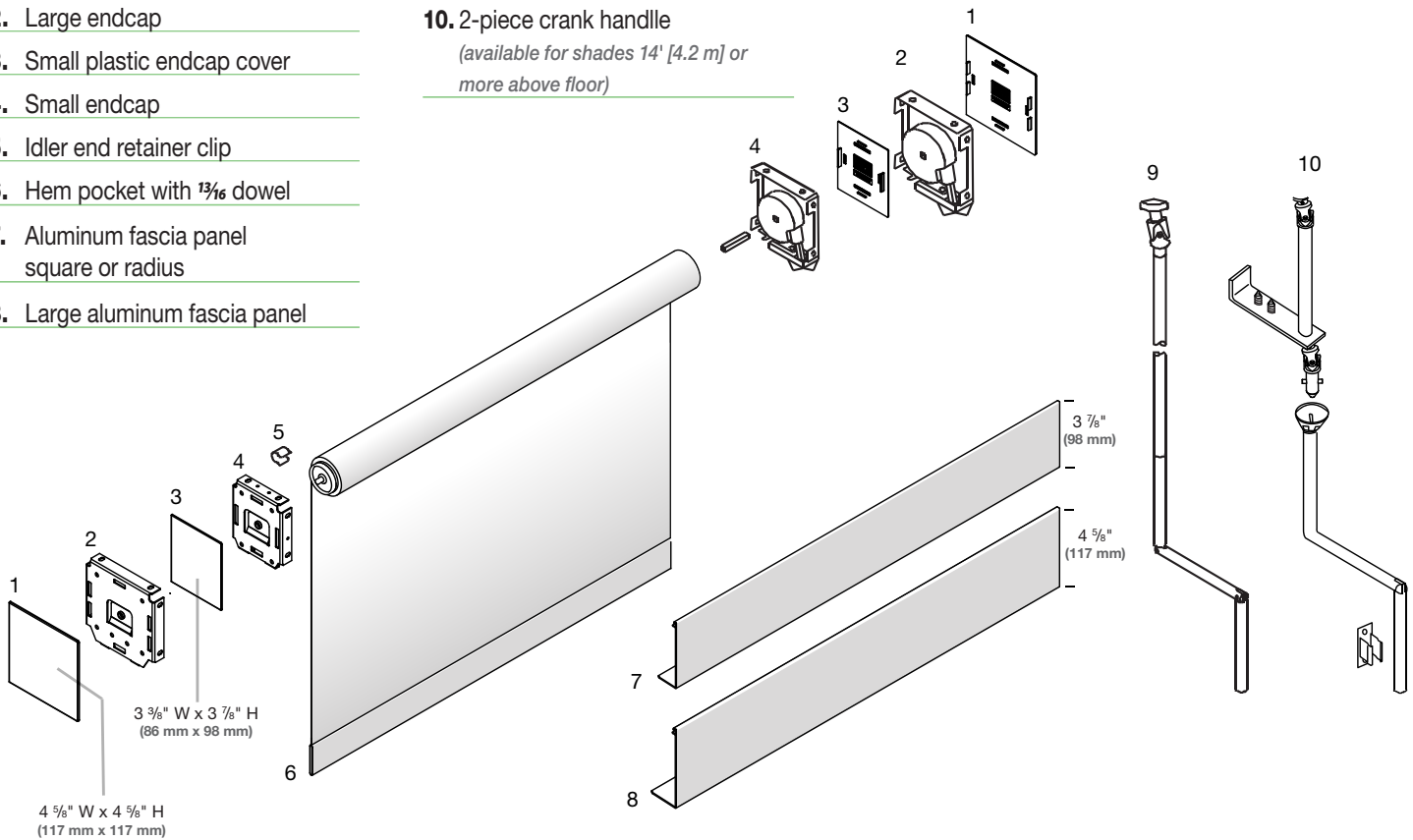


Crank-Operated FlexShade®

INSTRUCTIONS INSTALLATION & OPERATION

Overview - Components

1. Large plastic endcap cover
2. Large endcap
3. Small plastic endcap cover
4. Small endcap
5. Idler end retainer clip
6. Hem pocket with $\frac{13}{16}$ " dowel
7. Aluminum fascia panel square or radius
8. Large aluminum fascia panel
9. Removeable crank
10. 2-piece crank handle
(available for shades 14' [4.2 m] or more above floor)



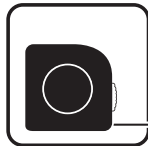
TOOLS REQUIRED



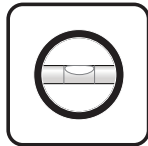
Pencil



Power Drill



Tape Measure



Level



Hardware
(by others)

⚠ CAUTION ⚠

Read and understand all warnings (Page 2 of this document) before beginning installation.

Contents

Overview - Components	1	Section 3 - Surface (Ceiling / Wall) Headbox or Large Pocket Headbox	5
PLEASE READ - Safety Information	2	Section 4 - Small $3\frac{1}{4}$ " (82 mm) Hardware Pocket Headbox	6
Section 1 - Crank-Operated FlexShade Endcaps	3	Section 5 - Dimensions	7
Section 2 - Fascia	4		

If you have any difficulties installing or servicing your Crank-Operated FlexShade®, call your dealer or Draper, Inc.

PLEASE READ - Safety Information

Important Safety Information



WARNING



Important Safety Information

Improper installation and use of the Crank-Operated FlexShade® can result in serious injury or death. Primarily, injuries can occur if the unit falls due to imprecise installation, mishandling of the shade during installation or installation on an insufficient wall or ceiling structure.

Please use extreme care.

1. Please read the following installation guidelines thoroughly and follow them carefully. Failure to do so may cause product to fall or otherwise fail, and could result in serious injury.
2. Installation and calibration of the shade should only be performed by an authorized, qualified, and experienced professional.
3. Do not affix the unit to wall or ceilings that have inadequate strength to permanently hold the unit during use. It is the owner's and installer's responsibility to confirm the wall or ceiling to which the unit attaches is sufficient to permanently hold the weight and stress loads of the unit at all times. Draper, Inc., is not responsible for improper installation, application, testing or workmanship related to the product at place of installation.
4. It is the installer's responsibility to make sure appropriate fasteners are used for mounting.
5. All brackets, fascia, headboxes, pockets, wall clips, and other hardware must be installed level. Shade unit must be level and square.
6. Never leave the area while operating the shade during installation, maintenance, or normal operation, unless it is secure and safe.
7. Before testing or operation, carefully inspect the entire area and path of the shade and areas underneath the shade to be sure no persons or objects are in the area.
8. During testing or operation, carefully watch the surrounding area for any potential safety concerns including nearby persons or objects.
9. After installation, the entire system should be carefully tested to ensure safe and normal operation. Extreme care should be taken during testing to remain clear of moving parts to avoid possible injury.
10. Operation of shade should be performed only by authorized and qualified personnel, who have been trained in the safe and effective operation of the shade and understand its safety features.
11. The safety features of the shade should never be disabled, bypassed, or overridden. The system should not be operated until all safety features are properly and completely installed, calibrated, and tested.
12. Shade may need to comply with local, state, or district rules and regulations, in particular when installed in schools. All applicable rules and regulations should be reviewed before installation and use.
13. Failure to precisely follow installation guidelines invalidates all warranties.
14. Custom products/installations may not be reflected in this manual. Call Draper, Inc., if you have questions regarding your installation.

Before Beginning Installation

1. Look for any job site conditions that could interfere with installation or operation of the system.
2. Read carefully and be sure to understand all installation instructions and all related operations manuals. These instructions are intended to serve as a guide for the installer and owner. They should be followed closely and combined with the expertise of experienced qualified installers. Draper, Inc., is not responsible for improper installation, application, testing, or workmanship related to the product at place of installation. Please retain all instructions for future use.
3. Open cartons lengthwise.
4. Locate and lay out all pieces.
5. Inspect all boxes to make sure you have received the proper shade and parts. Controls may be shipped separately, or in same carton as shade.
6. If you have any difficulties with installing, servicing, or operating your shade, call your dealer or Draper, Inc., 765-987-7999.

Field Adjustments

Each Draper Solar Control Shade is tested to ensure proper operation. Even with this testing, some field adjustments may be needed for telescoping.

If the shade is telescoping, place a piece of high quality gaffer tape about 1" (25 mm) wide on the exposed roller (where the fabric will cover it) on the side that the fabric will be drawn toward. For example: if the fabric is tracking to the left, place the tape on the right side.

Cleaning and Maintenance

Window covering products manufactured by Draper, when properly installed, should require no operational maintenance or lubrication.

Most of Draper's standard fabrics may be cleaned at the window by vacuuming with a soft brush attachment. They also may be cleaned by using a sponge or soft cloth and mild solution of warm soapy water. A mild dishwashing liquid is recommended. A clean dry cloth is recommended for the metal finish.

Please Note: Exceptions are Flocké and Phifer SW7000 fabrics, which must be cleaned with a dry art sponge.

Section 1 - Crank-Operated FlexShade Endcaps

⚠ Caution: Before mounting shades, verify measurements on label provided with shade, and ensure unit is installed at correct width.

Please Note: Installer is responsible for selecting mounting hardware appropriate for site conditions.

1. Inspect all boxes to make sure you have received proper shades/parts. Open cartons lengthwise.
2. All endcaps, fascia, headboxes, pockets, wall clips, and other hardware must be installed level. Shades must be level and square.
3. There is no lower limit. Overcranking the shade past sill may cause product to fall or otherwise fail, and invalidates warranty.

Please Note: If shade fabric is uneven, see "Field Adjustments" on page 2.

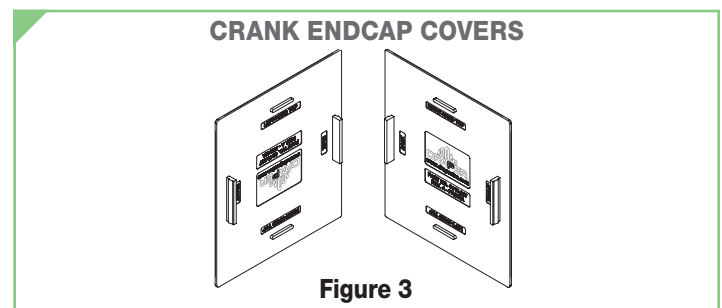
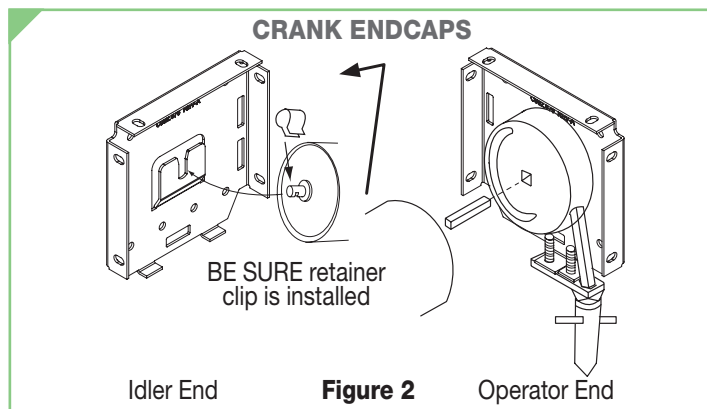
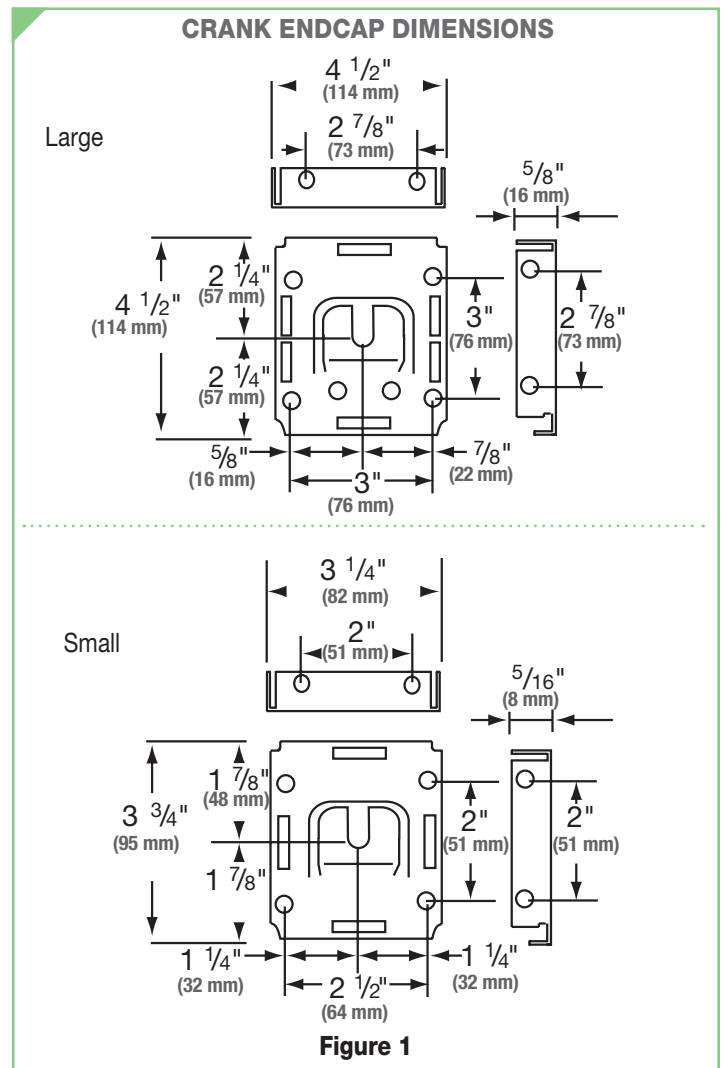
4. Please read the following installation guidelines thoroughly and follow them carefully. Failure to do so may cause product to fall or otherwise fail, and invalidates warranty.

Please Note: Custom products/installations may not be reflected by this document. Call Draper, Inc. if you have questions about your installation.

1. Mark wall, jamb or ceiling for placement of mounting endcaps.

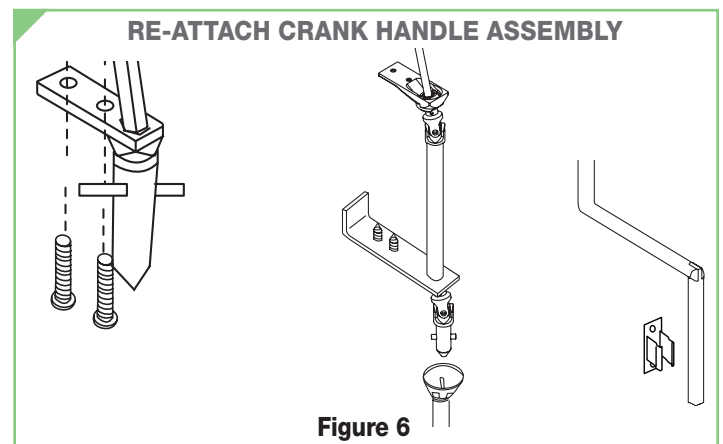
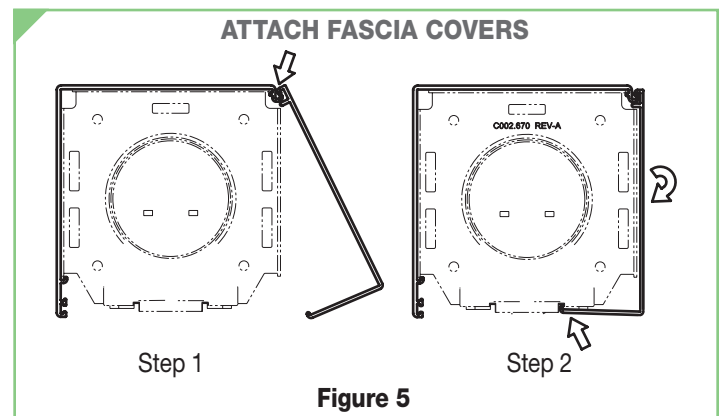
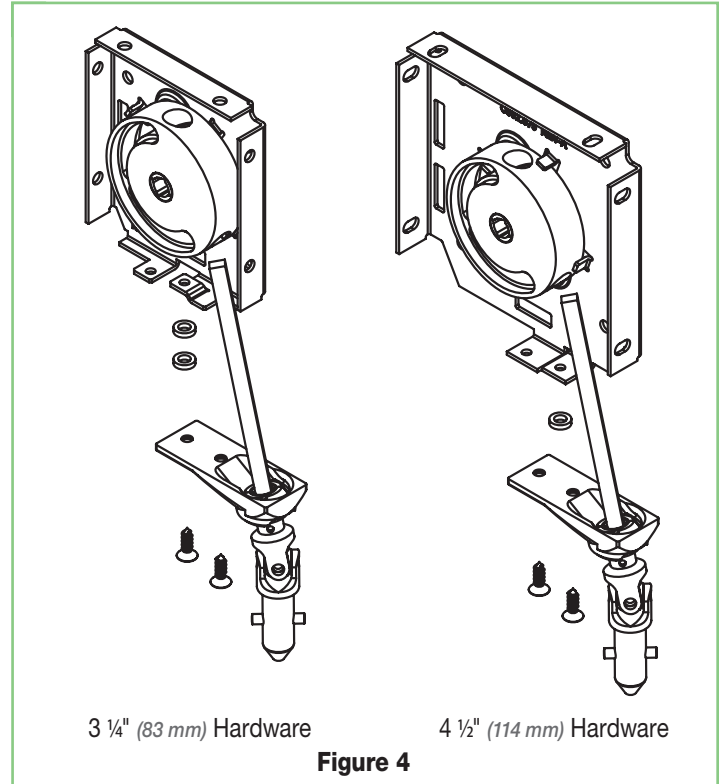
Caution: Before mounting shades, verify measurements on the card provided with the shade, and ensure the brackets are installed at the correct width.

2. Drill small starter hole (if necessary) in mounting surface.
3. Mount endcaps using appropriate fasteners for surface (see Fig. 1 for endcap dimensions). If this is a coupled unit, be sure to mount coupled endcap in the center position. **The installer is responsible for selecting mounting hardware appropriate for site conditions.**
4. Insert shank into hole in center of crank assembly, then slide fabric/roller onto shank (see Fig. 2).
5. For coupled units see separate instruction sheet for Coupled FlexShades.
6. Slide notched pin into idler endcap (see Fig. 2).
7. Attach crank handle.
8. Snap end covers into place (see Fig. 3).



Section 2 - Fascia

1. Snap end covers onto endcaps.
2. Follow steps 1 through 3 under “Crank Operated FlexShades—Endcaps”.
3. Remove crank handle assembly from crank (*operator*) endcap and remove the washers (*see Fig. 4*). Insert shank into hole in center of crank assembly, then slide fabric/roller onto shank (*see Fig. 2*).
4. For coupled units see separate instruction sheet for Coupled FlexShades.
5. Slide notched pin into idler endcap (*see Fig. 2*).
6. Place groove along top of fascia over endcaps, and snap into place (*see Fig. 5*).
7. Re-attach crank handle assembly to endcap (*see Fig. 6*). Make sure the fascia is in place before attaching crank handle, so that the screws attach both the handle assembly and the fascia to the endcap.

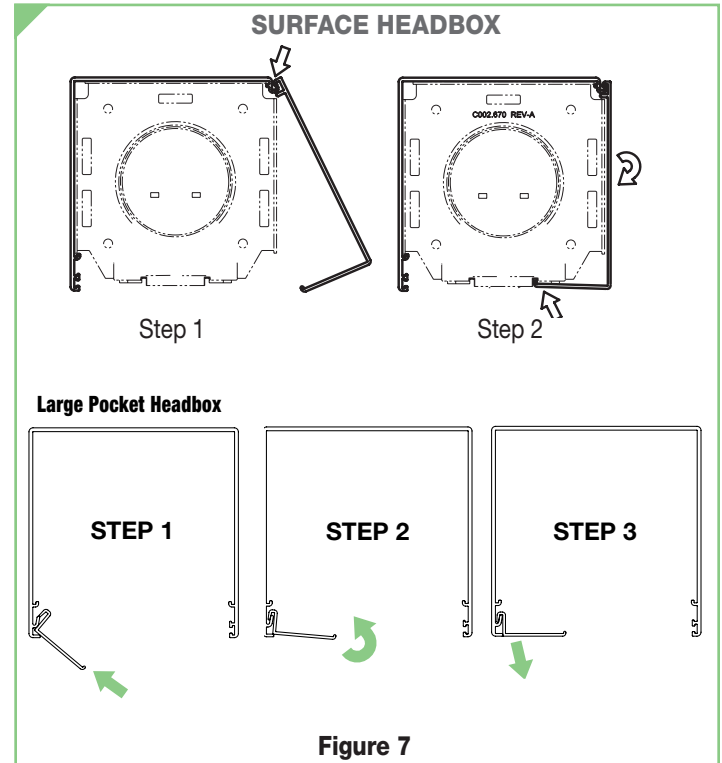


Section 3 - **Surface** (Ceiling / Wall) **Headbox or Large Pocket Headbox**

1. Snap endcap covers onto endcaps.
2. Place endcaps into back/top portion of wall/ceiling headbox or into pocket extrusion of large pocket headbox. Using pre-drilled holes in endcaps, mark the headbox for drilling.

Caution: Before mounting shades, verify measurements on the card provided with the shade, and ensure the brackets are installed at the correct width.

3. Drill holes in back or top, depending on whether you will be mounting the headbox to the wall or ceiling, or in a pocket.
4. Attach endcaps and wall/ceiling headbox back/top or large pocket headbox extrusion to wall, ceiling or pocket using mounting hardware appropriate for site conditions.
5. Install shade following steps 3 through 5 under “Crank Operated FlexShades—Fascia”.
6. Attach headbox fascia or pocket closure (see Fig. 7).
7. Re-attach crank handle (see Fig. 6, page 4). Make sure the headbox fascia or pocket closure is in place before attaching crank handle, so that the screws attach both the handle and the fascia to the endcap.

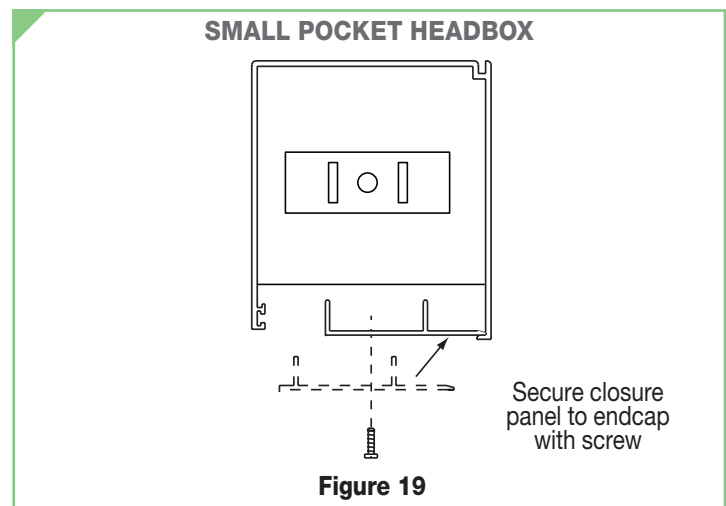
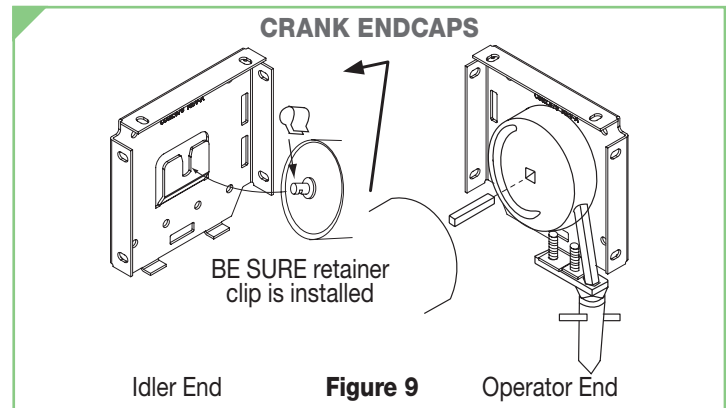
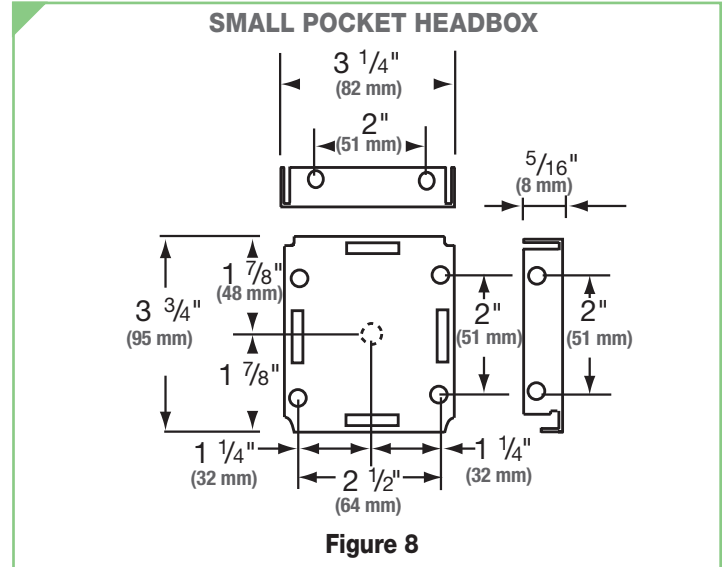


Section 4 - Small 3 1/4" (82 mm) Hardware Pocket Headbox

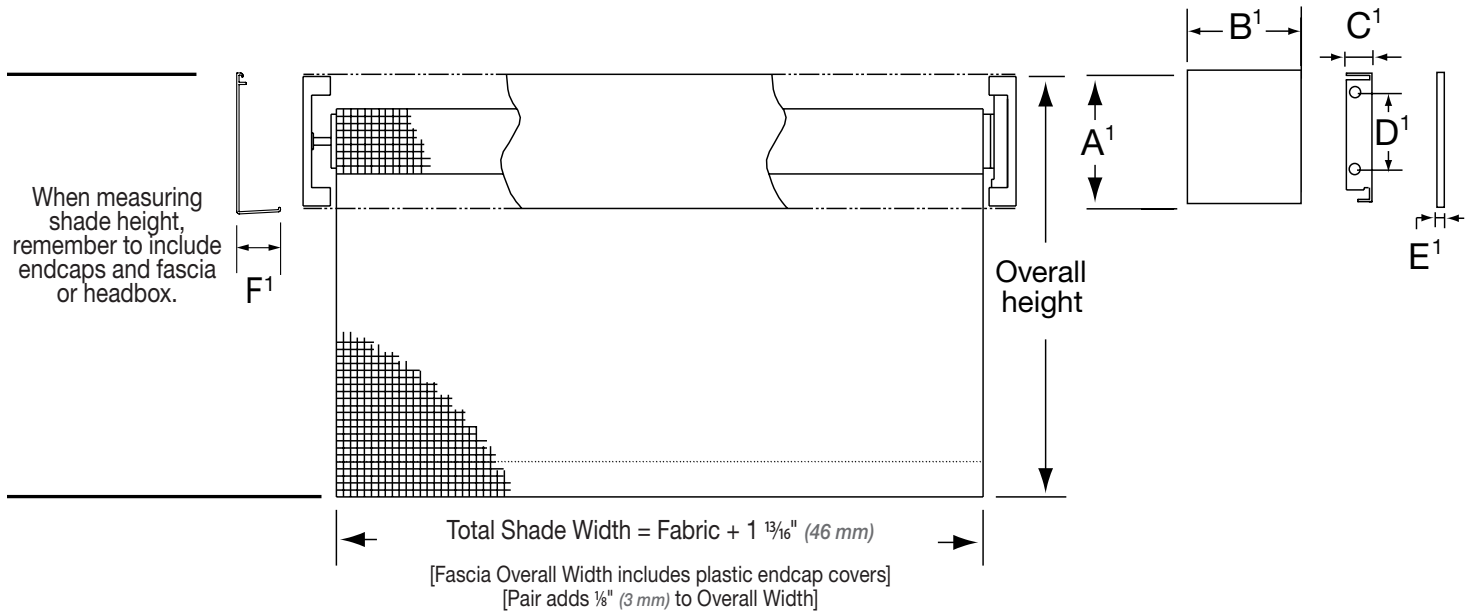
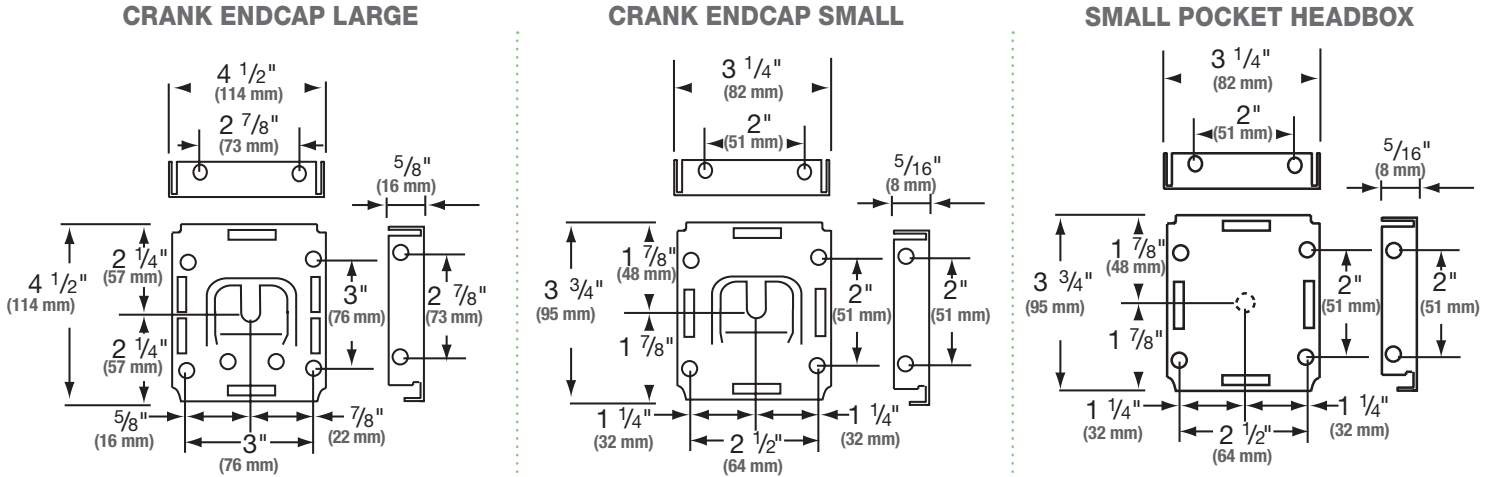
1. Snap endcap covers onto endcaps.
2. Place endcaps into back/top portion of wall/ceiling headbox or into pocket extrusion of large pocket headbox. Using pre-drilled holes in endcaps, mark the headbox for drilling.

Caution: Before mounting shades, verify measurements on the card provided with the shade, and ensure the brackets are installed at the correct width.

3. Drill holes in back or top, depending on how you will be mounting the small pocket.
4. Attach endcaps and small pocket headbox extrusion to wall, ceiling or in pocket using mounting hardware appropriate for site conditions.
5. Remove crank handle assembly from crank (*operator*) endcap (see Fig. 4) —note: there are no washers with small pocket headbox crank operators). Insert shank into hole in center of crank assembly, then slide fabric/roller onto shank (see Fig. 2).
6. Slide notched pin into idler endcap (see Fig. 9).
7. Attach small pocket closure (see Fig. 10).
8. Re-attach crank handle assembly (see Fig. 6, page 4).



Section 5 - Dimensions



HEADBOX WITH ENDCAPS				FASCIA WITH ENDCAPS					
	SMALL		LARGE		SMALL		LARGE		
A ¹	3 15/16"	100mm	4 11/16"	119mm	A ¹	3 7/8"	98mm	4 5/8"	117mm
B ¹	3 7/16"	87mm	4 11/16"	119mm	B ¹	3 3/8"	86mm	4 5/8"	117mm
C ¹	5/8"	16mm	5/8"	16mm	C ¹	5/8"	16mm	5/8"	16mm
D ¹	2"	50mm	3 1/4"	82mm	D ¹	2"	50mm	3 1/4"	82mm
E ¹	1/16"	1.6mm	3/32"	2.4mm	E ¹	1/16"	1.6mm	3/32"	2.4mm
F ¹	1 3/16"	30mm	1 9/16"	40mm	F ¹	1 3/16"	30mm	1 9/16"	40mm

