

# Exterior Clutch-Operated FlexShade®

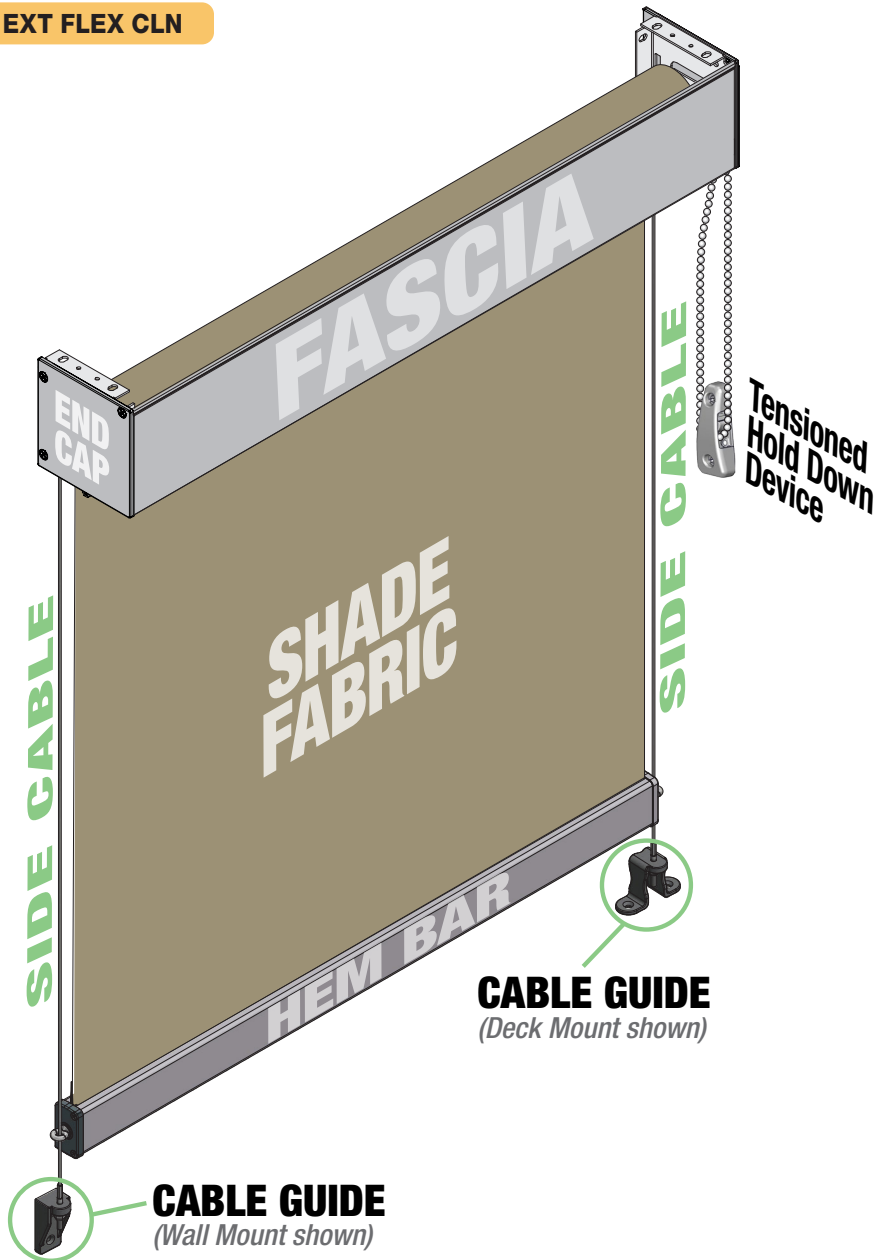
Outdoor shading system with smooth, quiet operation and independent control

## INSTRUCTIONS

### INSTALLATION & OPERATION

#### Overview - Components

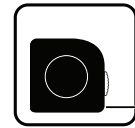
##### EXT FLEX CLN



#### TOOLS REQUIRED



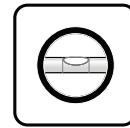
PENCIL



TAPE MEASURE



LASER LEVEL



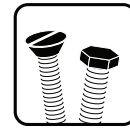
LEVEL



POWER DRILL



WIRE STRIPPERS



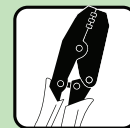
HARDWARE (by others)



PLIERS



HEX WRENCH



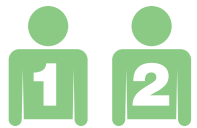
CRIMPING TOOL

**NOTE:** Draper® recommends the **32-VC:VG Crimping Tool** available from [www.nicopress.com](http://www.nicopress.com)

#### CAUTION

*Read and understand all warnings before beginning installation.*

#### PERSONNEL RECOMMENDED



#### Contents

Overview - Components.....	1	Section 5 - Tensioned Hold Down .....	7
PLEASE READ - Important Safety Information.....	2	Section 6 - ENDCAP INSTALLATION: Installing Cable Guides.....	8
PLEASE READ - Field Adjustments, Cleaning and Maintenance .....	2	Section 7 - Securing Guide Cables .....	10
Section 1 - BRACKET INSTALLATION: Bead Chain Clutch Installation.....	3	Section 6 - ENDCAP INSTALLATION: Attaching Fascia to Endcaps .....	10
Section 2 - BRACKET INSTALLATION: Installing Cable Guides.....	4	Section 9 - Dimensions: Components.....	11
Section 3 - ENDCAP INSTALLATION: Installing Cable Mounting Brackets .....	6	Section 10 - Dimensions: Assembly.....	12
Section 4 - ENDCAP INSTALLATION: Mounting Endcaps .....	7		

If you have any difficulties installing or servicing your Exterior Clutch-Operated FlexShade®, call your dealer or Draper, Inc.

PLEASE READ - **Important Safety Information**

**Important Safety Information**



**WARNING**

**Important Safety Information**

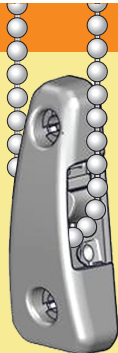
**Improper installation and use of the Exterior Clutch-Operated FlexShade® can result in serious injury or death. Primarily, injuries can occur if the unit falls due to imprecise installation, mishandling of the shade during installation, or installation on an insufficient wall or ceiling structure. Please use extreme care.**

1. Please read the following installation guidelines thoroughly and follow them carefully. Failure to do so may cause product to fall or otherwise fail, and could result in serious injury.
2. Installation and calibration of the shade should only be performed by an authorized, qualified, and experienced professional.
3. Do not affix the unit to wall or ceilings that have inadequate strength to permanently hold the unit during use. It is the owner's and installer's responsibility to confirm the wall or ceiling to which the unit attaches is sufficient to permanently hold the weight and stress loads of the unit at all times. Draper®, Inc., is not responsible for improper installation, application, testing, or workmanship related to the product at place of installation.
4. It is the installer's responsibility to make sure appropriate fasteners are used for mounting.
5. All brackets, fascia, headboxes, pockets, wall clips, and other hardware must be installed level. Shade unit must be level and square.
6. Before testing or operation, carefully inspect the entire area and path of the shade and areas underneath the shade to be sure no persons or objects are in the area.
7. During testing or operation, carefully watch the surrounding area for any potential safety concerns including nearby persons or objects.
8. After installation, the entire system should be carefully tested to ensure safe and normal operation. Extreme care should be taken during testing to remain clear of moving parts to avoid possible injury.
9. Operation of shade should be performed only by authorized and qualified personnel, who have been trained in the safe and effective operation of the shade and understand its safety features.
10. The safety features of the shade should never be disabled, bypassed, or overridden. The system should not be operated until all safety features are properly and completely installed, calibrated, and tested.
11. Shade may need to comply with local, state, or district rules and regulations, in particular when installed in schools. All applicable rules and regulations should be reviewed before installation and use.
12. Failure to precisely follow installation guidelines invalidates all warranties.
13. Custom products/installations may not be reflected in this manual. Call Draper, Inc., if you have questions regarding your installation.

**Before Beginning Installation**

1. Look for any job site conditions that could interfere with installation or operation of the system.
2. Read carefully and be sure to understand all installation instructions and all related operations manuals. These instructions are intended to serve as a guide for the installer and owner. They should be followed closely and combined with the expertise of experienced qualified installers. Draper, Inc., is not responsible for improper installation, application, testing, or workmanship related to the product at place of installation. Please retain all instructions for future use.
3. Open cartons lengthwise, taking care not to cut into cardboard shipping container.
4. Locate and lay out all pieces.
5. Inspect all boxes to make sure you have received the proper shade and parts.
6. If you have any difficulties with installing, servicing, or operating your shade, call your dealer or Draper, Inc., 765-987-7999.

**Child Safety Information**

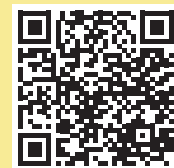


To comply with Child Safety Standard ANSI/WCMA A100.1-2022, this product ships with a tensioning device attached to the bead chain. Incorrect installation partially disables the product. When properly fastened to mounting surface, the pre-installed Tensioned Hold Down device for clutch-operated units prevents creation of a hazardous loop by maintaining tension on the bead chain.

**WARNING**  
**ADVERTENCIA**



**Window Blind Cord Can STRANGLE Your Child.**  
Keep all cords out of children's reach. Shorten cords to prevent reach. Move crib and furniture away - Children can climb furniture to reach cords.  
**La cuerda de la persiana puede ESTRANGULAR su niño.**  
Mantenga las cuerdas fuera del alcance de los niños. Acorte las cuerdas para evitar el alcance. Mueva la cuna y los muebles - Los niños pueden subir los muebles para alcanzar cuerdas.



Scan for more information, including short videos on correctly installing the tensioning device, or go to [draperinc.com/windowshades/childsafety](http://draperinc.com/windowshades/childsafety).

PLEASE READ - **Field Adjustments**

Each Draper Solar Control Shade is tested to ensure proper operation. Even with this testing, some field adjustments may be needed for telescoping.

If the shade is telescoping, place a piece of shimming fabric into the fabric roll when the shade is deployed on the side that the fabric will be drawn toward. For example: if the fabric is tracking to the left, place the shimming fabric on the right side.

PLEASE READ - **Cleaning and Maintenance**

Window covering products manufactured by Draper, when properly installed, should require no operational maintenance or lubrication.

Most standard Draper fabrics may be cleaned at the window by vacuuming with a soft brush attachment. They also may be cleaned by using a sponge or soft cloth and mild solution of warm soapy water. A mild dishwashing liquid is recommended. A clean dry cloth is recommended for the metal finish.

**Please Note:** Exceptions are GreenScreen Evolve®, GreenScreen Revive®, Flocké®, and Phifer® SW7000 fabrics, which must be cleaned with a dry art sponge.  
(GreenScreen Revive® and GreenScreen Evolve® are registered trademarks of Mermet® USA. SheerWeave® is a registered trademark of Phifer® Incorporated.)

## FOR SHADES WITH BRACKET INSTALLATION *(For shades with Endcap Installation, go to page 6.)*

### Section 1 - BRACKET INSTALLATION: Bead Chain Clutch Installation

**⚠ Caution:** Before mounting shades, verify measurements on label provided with shade, and ensure unit is installed at correct width.

**Please Note:** Installer is responsible for selecting mounting hardware appropriate for site conditions.

#### BRACKET INSTALLATION: 20# Clutches

**Please Note:** Idler End must be installed FIRST.

1. Mark wall, jamb, or ceiling for placement of mounting brackets and drill small starter hole (if necessary) in mounting surface.
2. Place spring-loaded pin into idler bracket, slip notches on clutch into clutch bracket. Press down to lock in place.

##### Small Universal Brackets

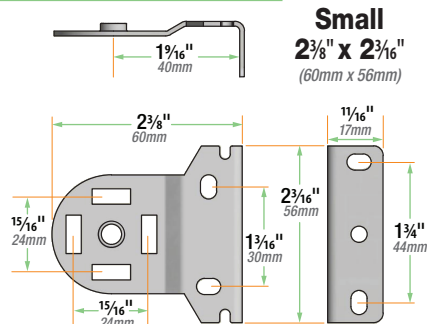


Figure 1A

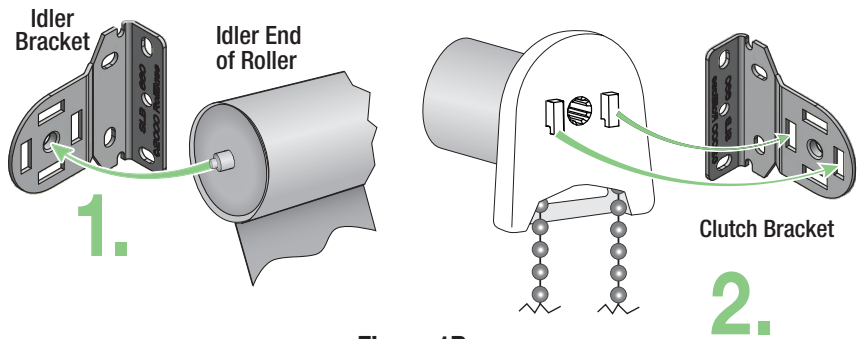


Figure 1B

##### Large Universal Brackets

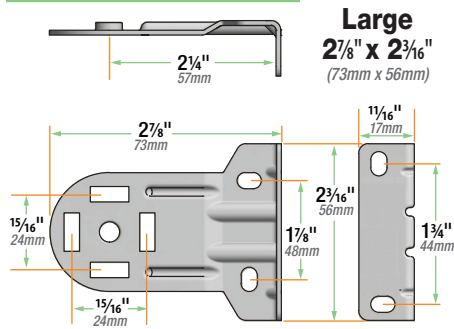


Figure 2A

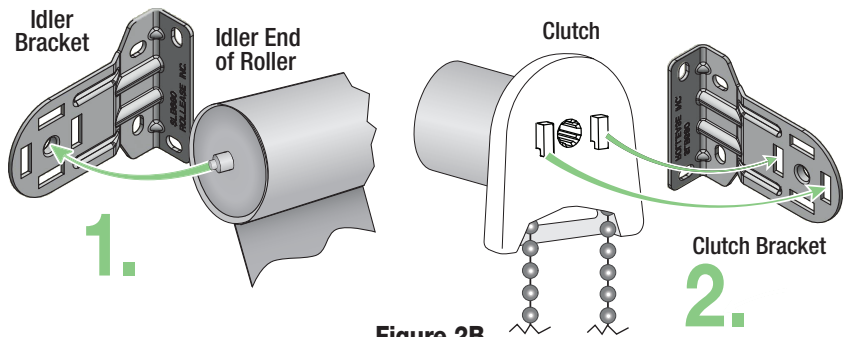


Figure 2B

#### BRACKET INSTALLATION: 24# Clutches

**Please Note:** Idler End must be installed FIRST.

1. Mark wall, jamb, or ceiling for placement of mounting brackets and drill small starter hole (if necessary) in mounting surface.
2. Slide notched pin into idler bracket. Slip retainer clip onto idler end between bracket and roller (Fig.3B)
3. Install clutch end onto spear on clutch bracket.

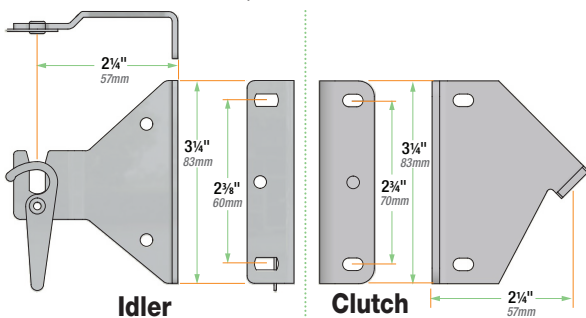


Figure 3A

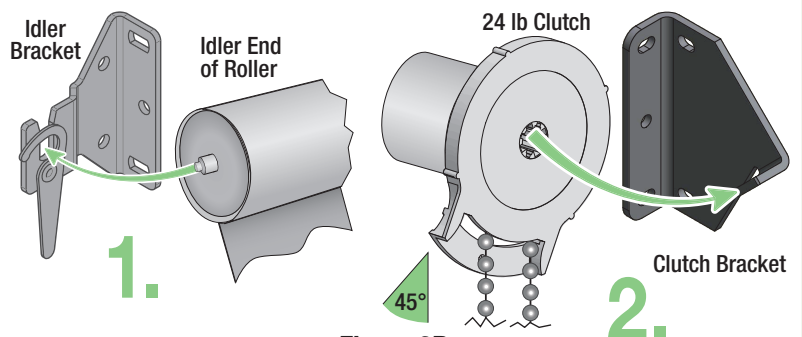


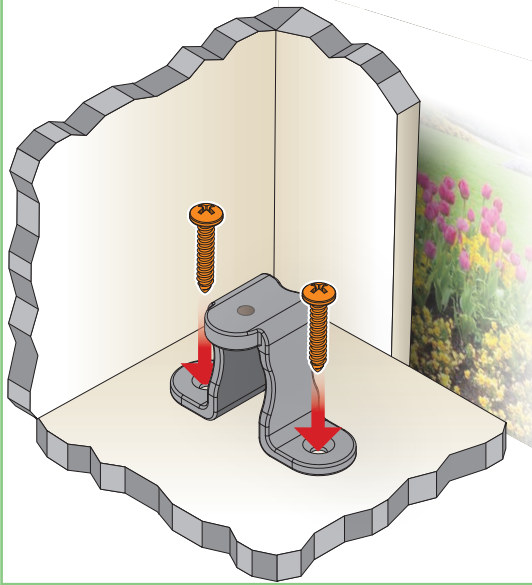
Figure 3B

## Section 2 - BRACKET INSTALLATION: Installing Cable Guides

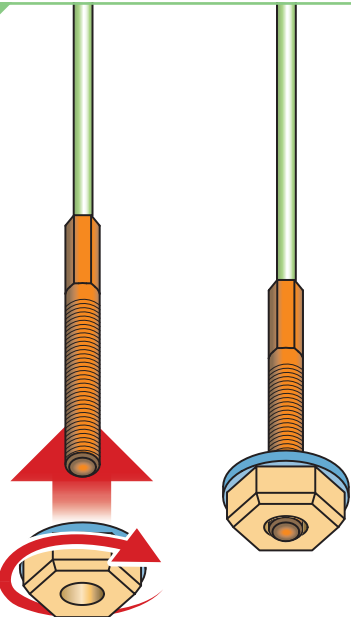
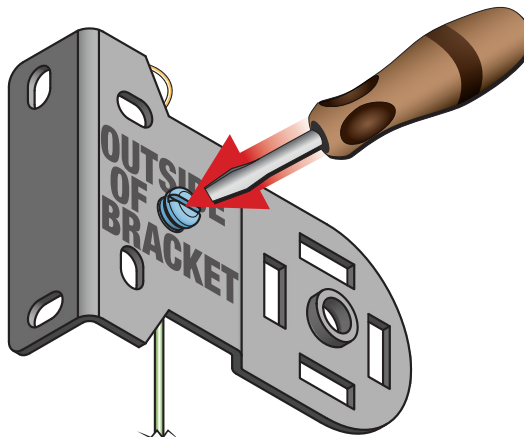
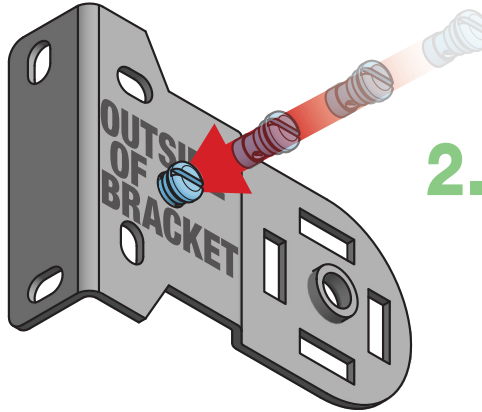
**⚠ Caution:** Before mounting shades, verify measurements on label provided with shade, and ensure unit is installed at correct width.

**Please Note:** Installer is responsible for selecting mounting hardware appropriate for site conditions.

**1.** Install Cable Mounting Bracket using appropriate fasteners.

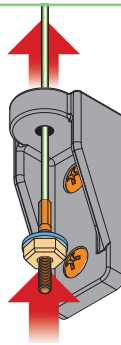


**2.** Loosen screw in Cable Clamp, and place into the middle hole of Shade Bracket (from outside of bracket).

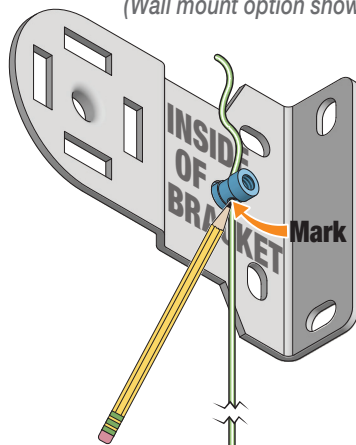


**3.** Place washer and nut approximately halfway up threads of bolted end of cable to allow space for travel.

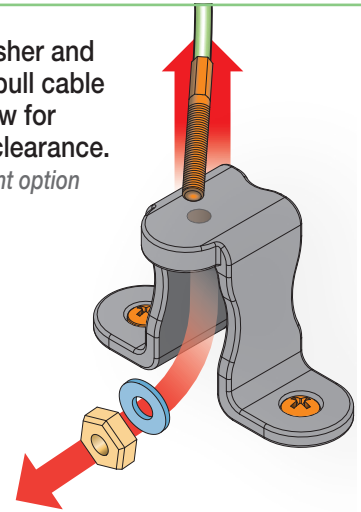
**4.** Pull cable up, through Cable Clamp on Shade Bracket. (Wall mount option shown.)



**5.** Pull cable taut and mark cable under Cable Clamp. (Wall mount option shown.)

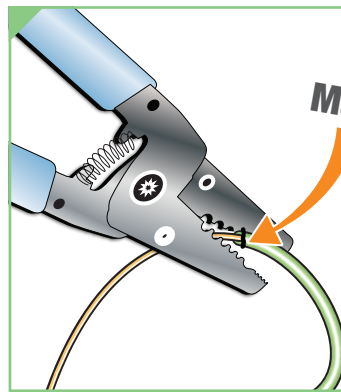


**6.** Undo washer and nut, and pull cable up to allow for working clearance. (Deck mount option shown.)

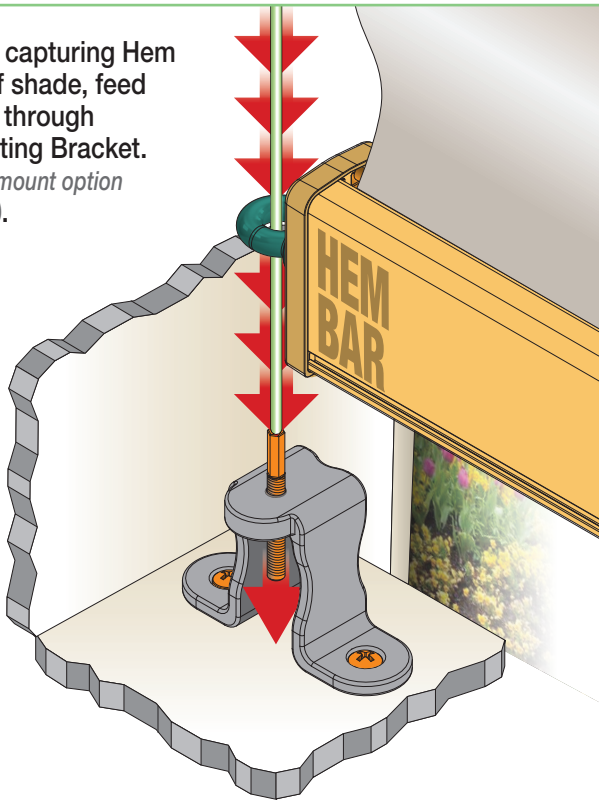


**Mark**

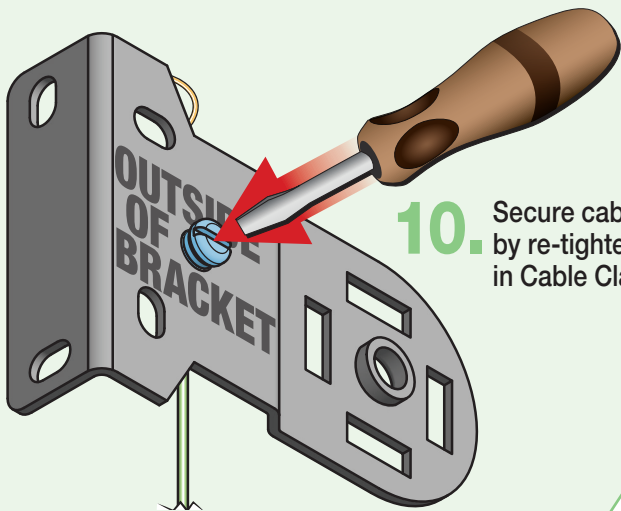
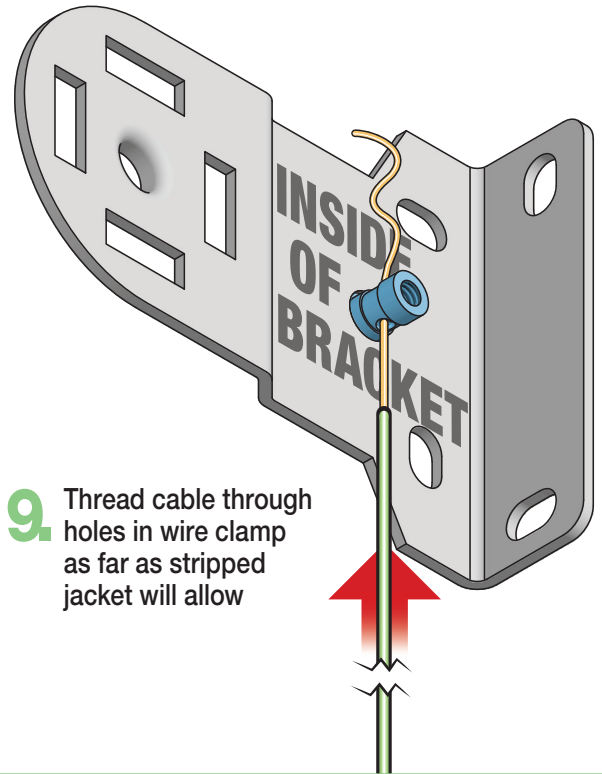
**7.** Strip cable to mark.



- 8.** While capturing Hem Bar of shade, feed cable through Mounting Bracket. (Deck mount option shown).

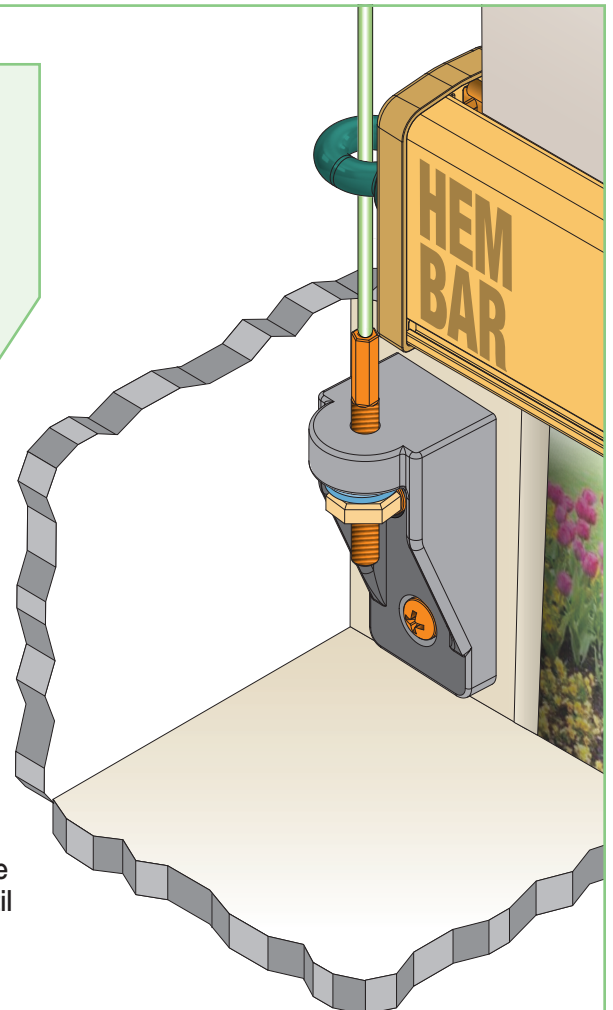


- 9.** Thread cable through holes in wire clamp as far as stripped jacket will allow



- 10.** Secure cable to bracket by re-tightening screw in Cable Clamp.

- 11.** Replace Washer and Nut on the bottom bracket and tighten until desired tension is reached. (Wall mount option shown.)



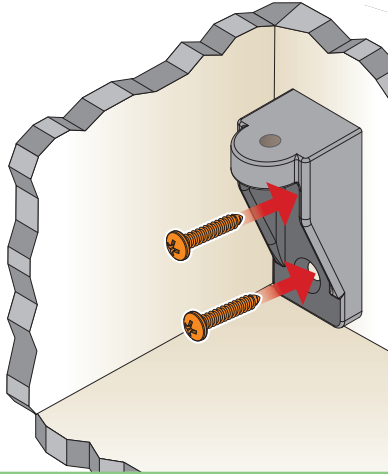
## FOR SHADES WITH ENDCAP INSTALLATION *(For shades with Bracket Installation, go to page 3.)*

### Section 3 - ENDCAP INSTALLATION: Installing Cable Mounting Brackets

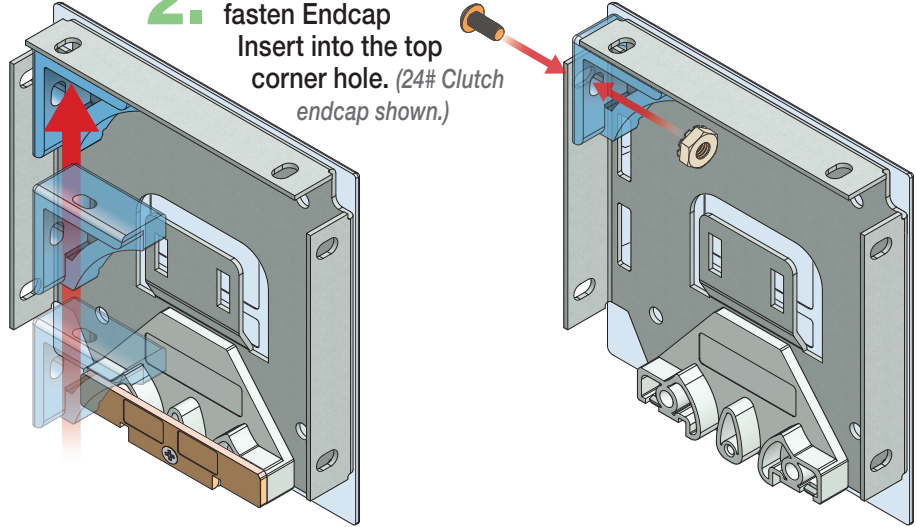
**⚠ Caution:** Before mounting shades, verify measurements on label provided with shade, and ensure unit is installed at correct width.

**Please Note:** Installer is responsible for selecting mounting hardware appropriate for site conditions.

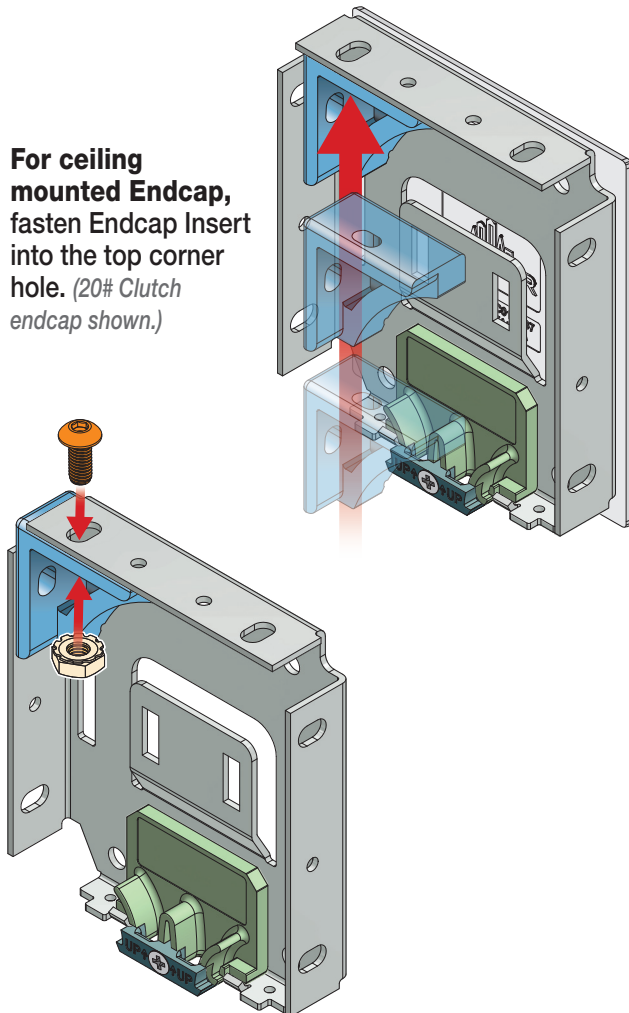
- 1.** Install Cable Mounting Bracket using appropriate fasteners. *(Wall mount option shown.)*



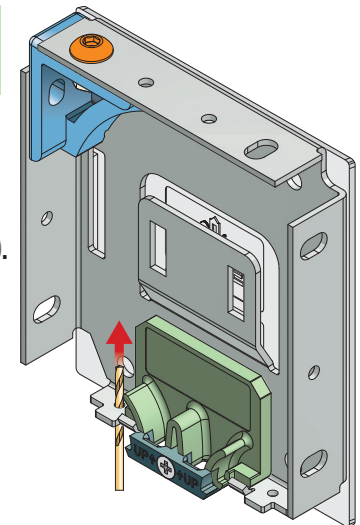
- 2.** For wall mounted Endcap, fasten Endcap Insert into the top corner hole. *(24# Clutch endcap shown.)*



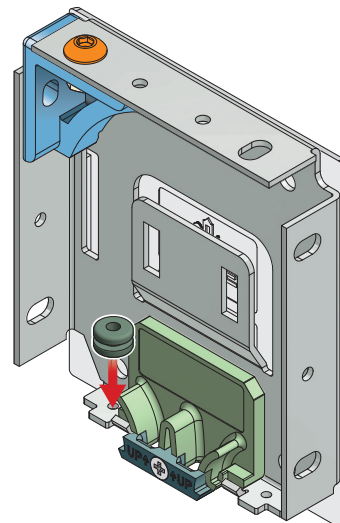
- 3.** For ceiling mounted Endcap, fasten Endcap Insert into the top corner hole. *(20# Clutch endcap shown.)*



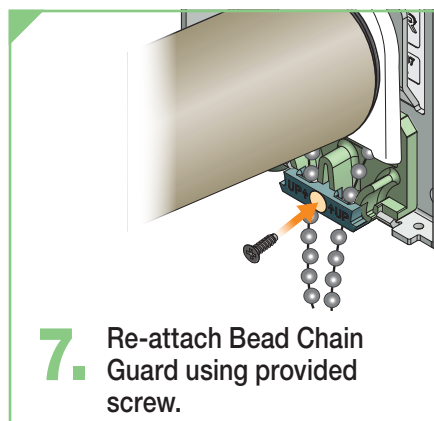
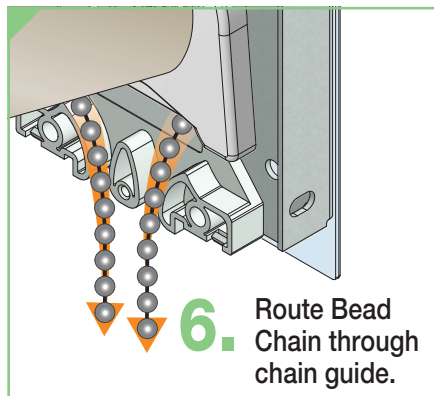
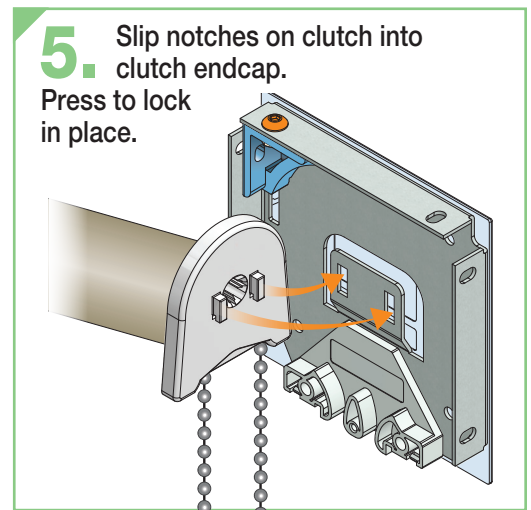
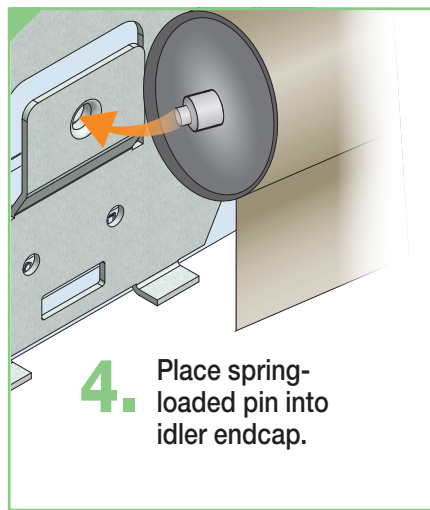
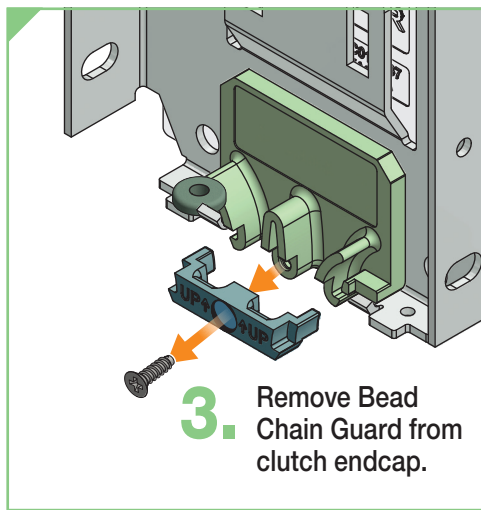
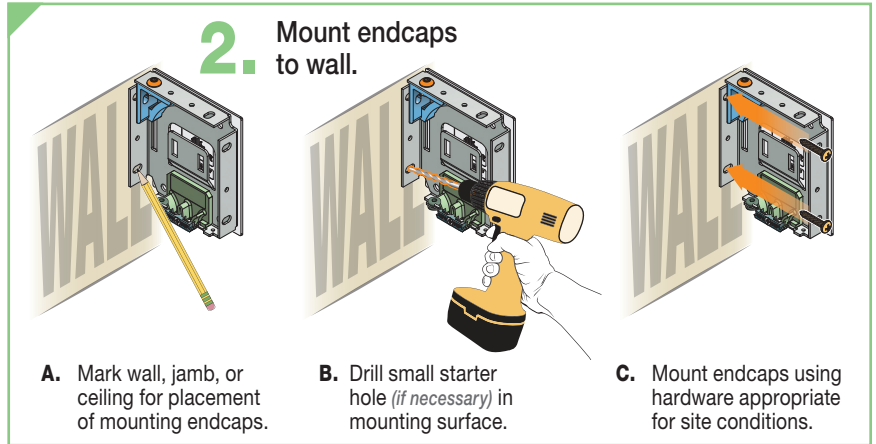
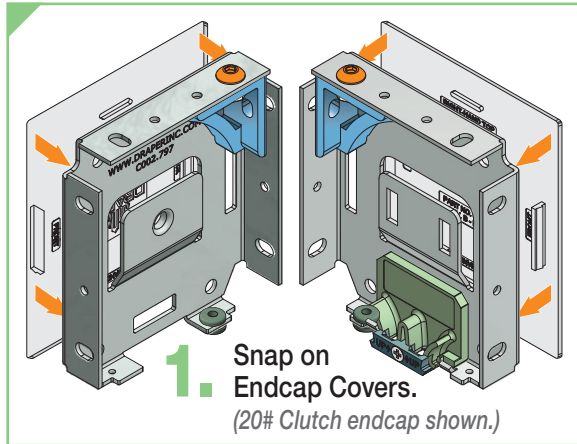
- 4.** On small endcap, drill out hole closest to wall *(a 3/16" drill bit is included in hardware kit).* *(20# Clutch endcap shown.)*



- 5.** Insert rubber grommet into enlarged hole.

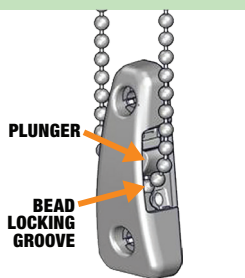


## Section 4 - ENDCAP INSTALLATION: Mounting Endcaps



## Section 5 - Tensioned Hold Down (Must be installed to make shade fully operable.)

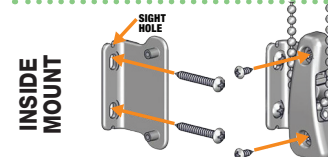
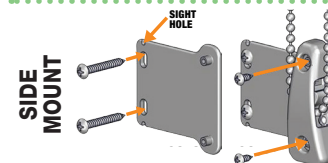
**Please Note:** Screws provided are not suitable for all mounting surfaces. The installer is responsible for secure mounting using appropriate hardware for the site conditions. Consult with contractors and builders as needed.



1. Lift bead chain out of bead locking groove and slide tensioned hold down to bottom of chain loop.
2. Hold tensioned hold down in one hand while pulling plunger away from bead chain with other hand.
3. Pull tensioned hold down until bead chain is fully tensioned and move tension device up approx. 1/8" (3mm)
4. Mark screw hole locations with a pencil.

### INSIDE MOUNT

If mounting directly onto the surface, pre-drill screw holes and then install the tensioned hold down using the 2 large screws provided.



### FLOOR MOUNT

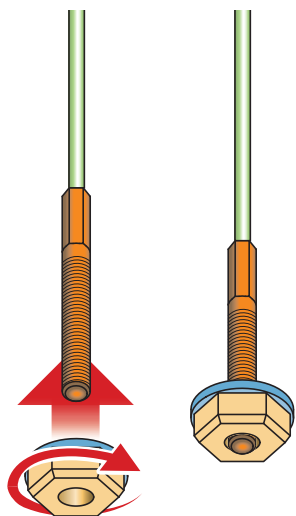
- A.** Securely fix floor mount bracket to surface.
- B.** Assemble tensioned hold down & chain.
- C.** Adjust bead chain so that plunger is 1/8" (3mm) below top position.
- D.** Adjust chain length by removing and then reassembling stop balls.

### SIDE OR INSIDE MOUNT

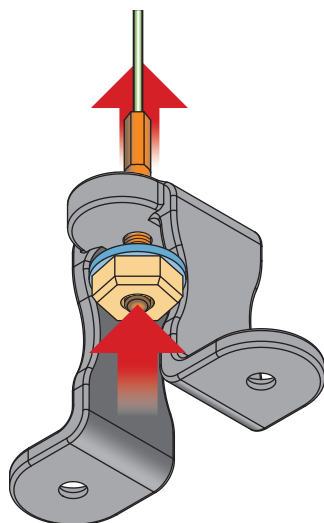
- A.** Align mounting bracket sight holes with pencil marks and attach bracket to mounting surface.
- B.** Press tensioned hold down onto mounting bracket posts and carefully install device using the two smaller provided screws with appropriate screwdriver.

## Section 6 - ENDCAP INSTALLATION: Installing Cable Guides

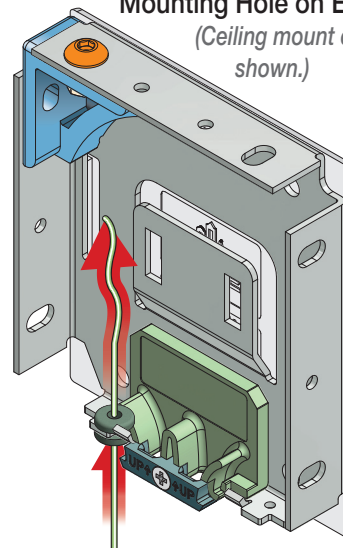
- 1.** Place washer and nut on threads of bolted end of cable to allow space for travel.



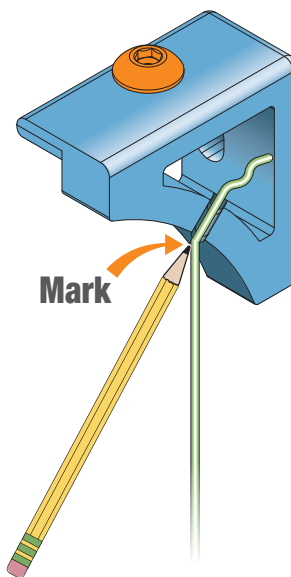
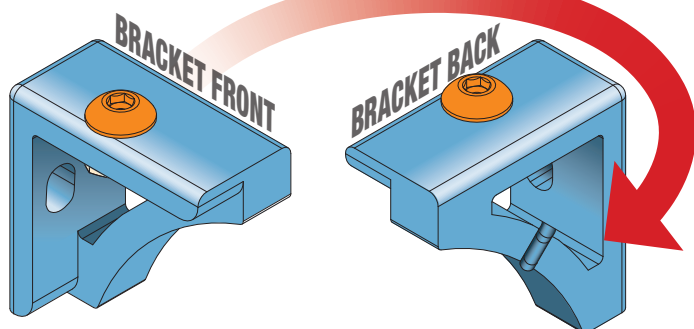
- 2.** Pull cable up, through Cable Clamp on Mounting Bracket. (Deck mount option shown.)



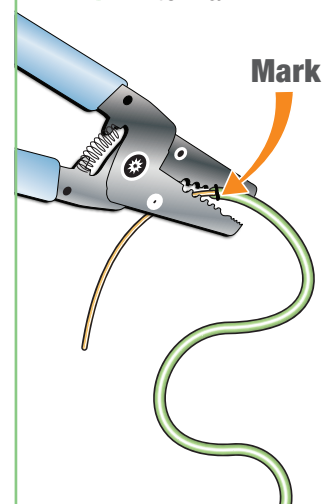
- 3. 20# CLUTCHES ONLY:** Pull cable up, through Cable Mounting Hole on Endcap. (Ceiling mount option shown.)



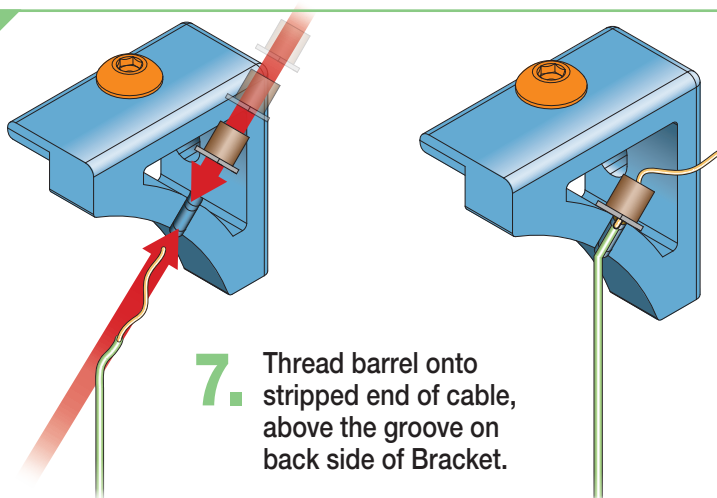
- 5.** Thread cable through groove on back side of Bracket and pull taut. Mark cable as shown. (Ceiling mount option shown.)



- 6.** Strip cable to mark.



- 7.** Thread barrel onto stripped end of cable, above the groove on back side of Bracket.



- 8.** Crimp the barrels approximately 1/8" (3mm) above mark.

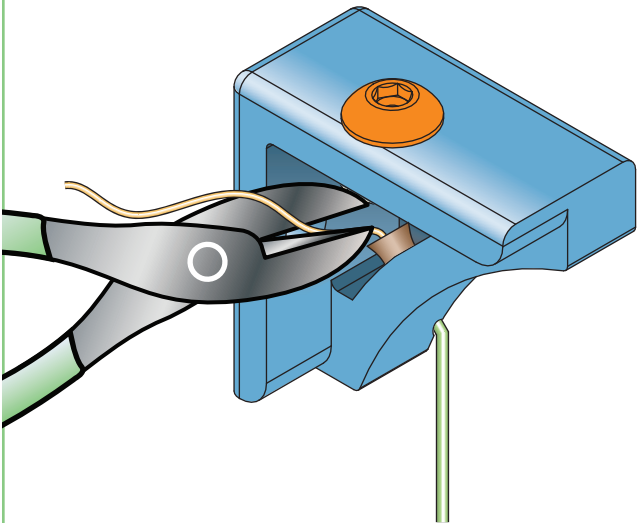


**PLEASE NOTE:**  
Draper® recommends  
**32-VC:VG Crimper**,  
available from  
[www.nicopress.com](http://www.nicopress.com)

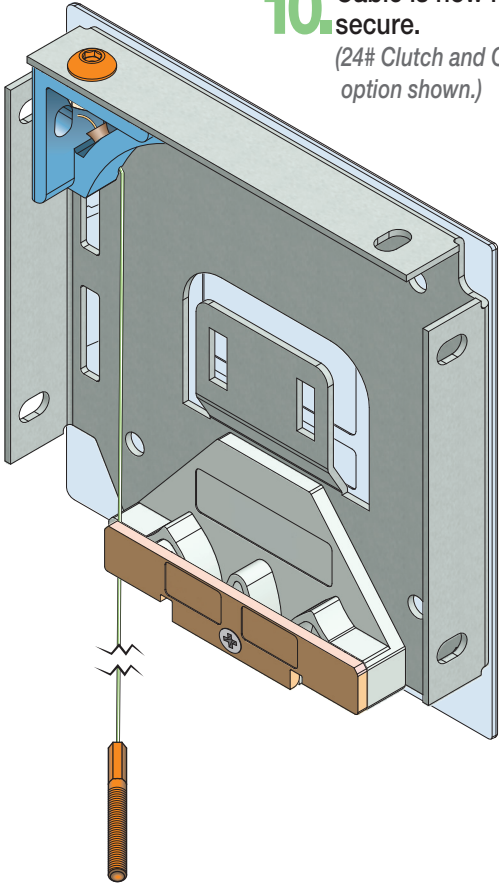




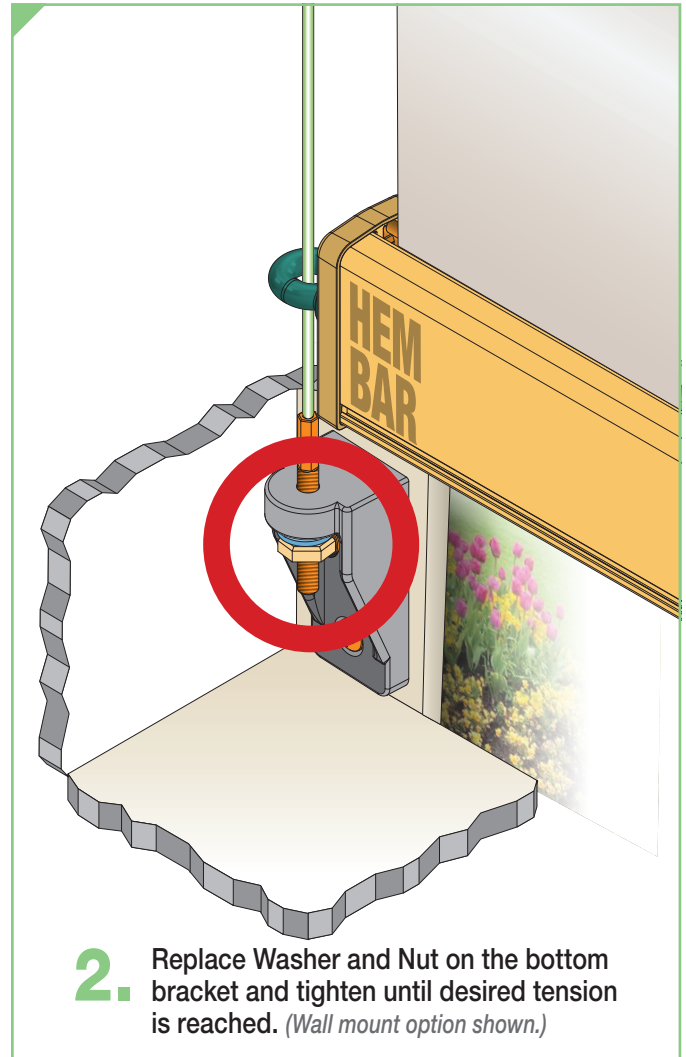
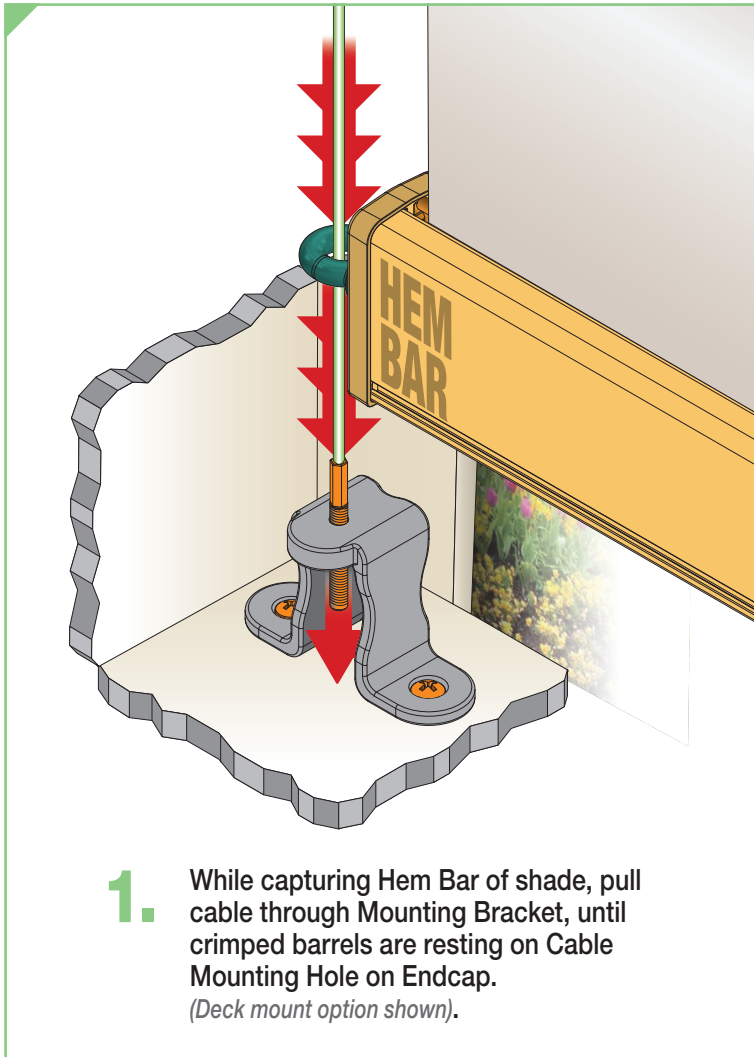
**9.** Trim excess cable as desired.



**10.** Cable is now ready to secure.  
*(24# Clutch and Ceiling mount option shown.)*

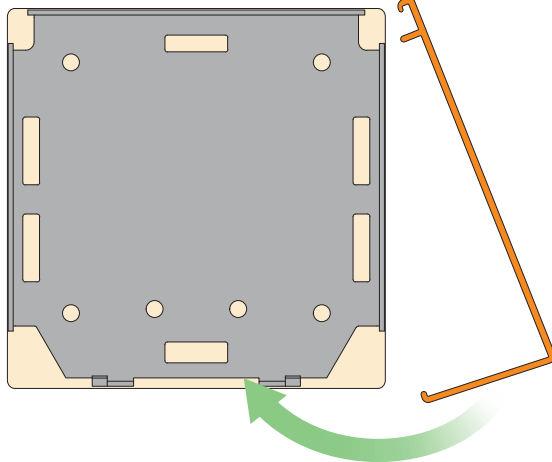


## Section 7 - Securing Guide Cables

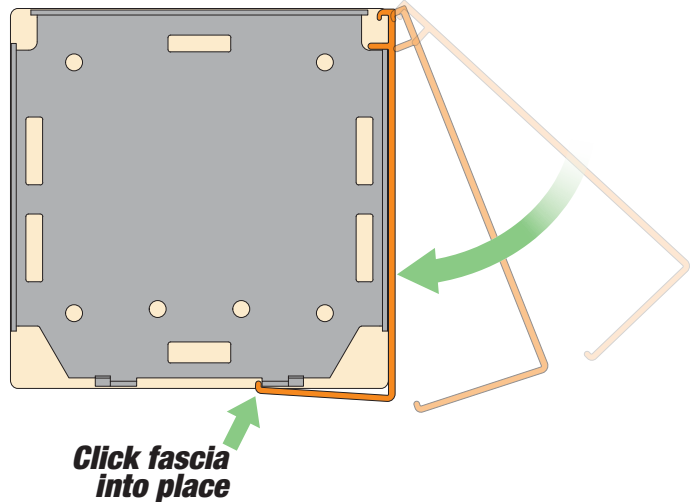


## Section 6 - ENDCAP INSTALLATION: Attaching Fascia to Endcaps

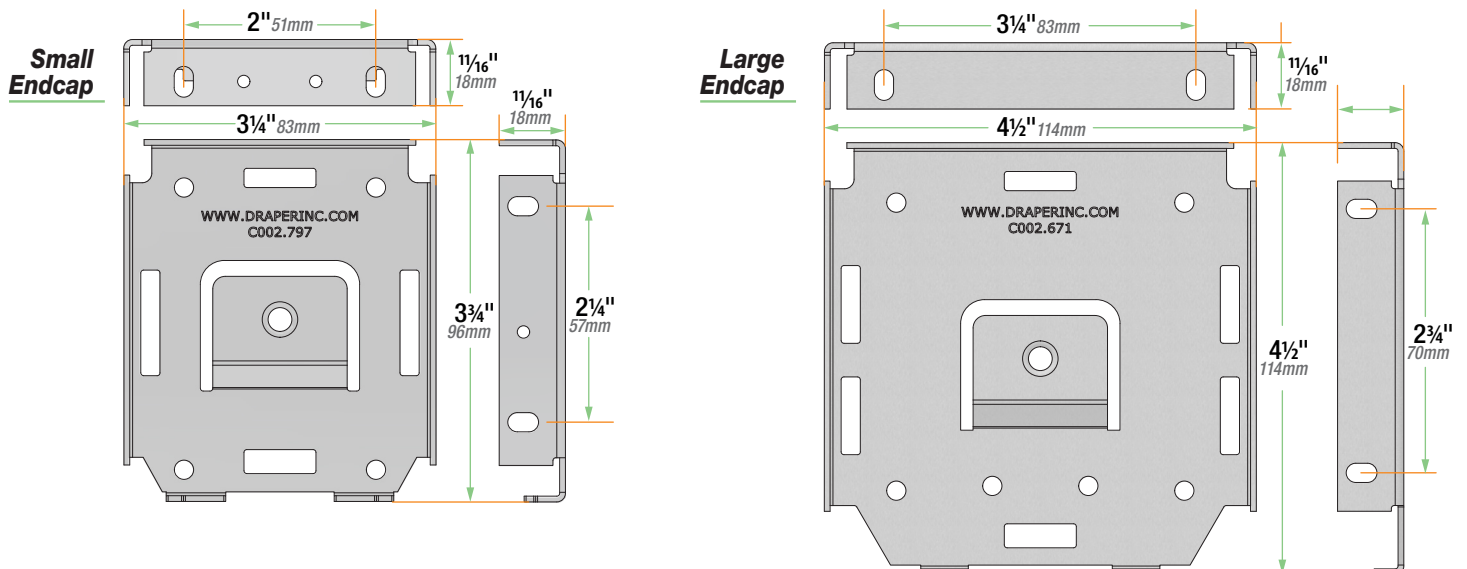
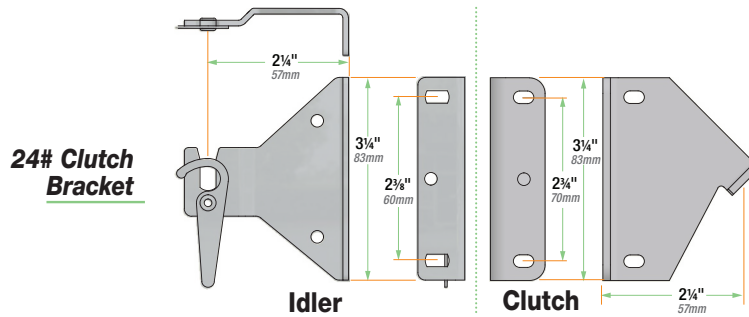
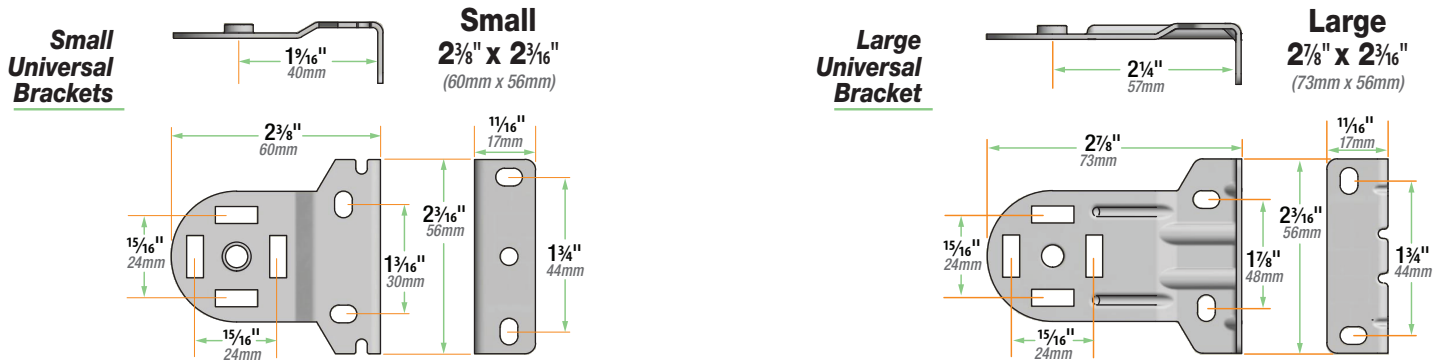
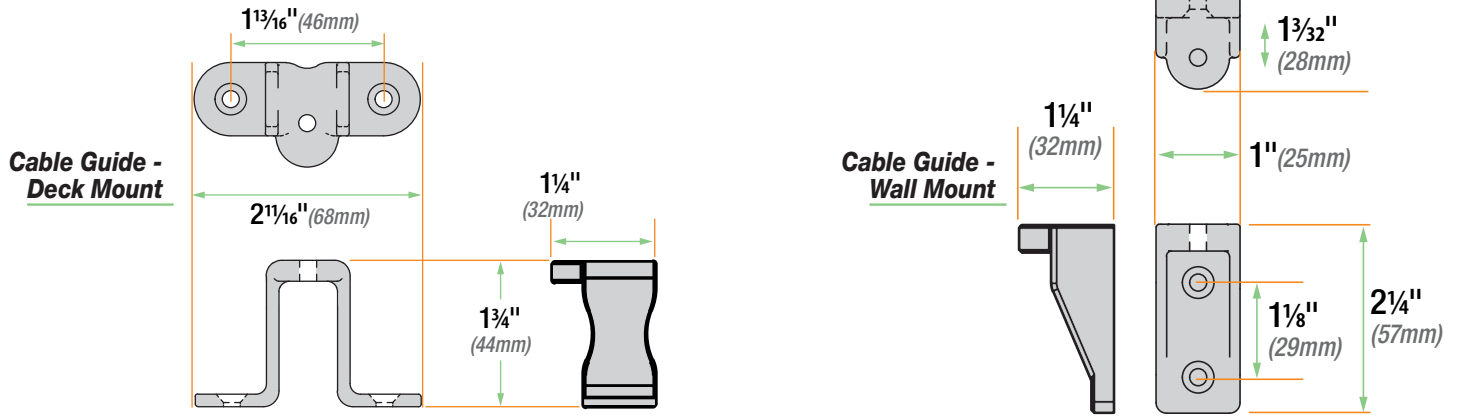
### STEP 1:



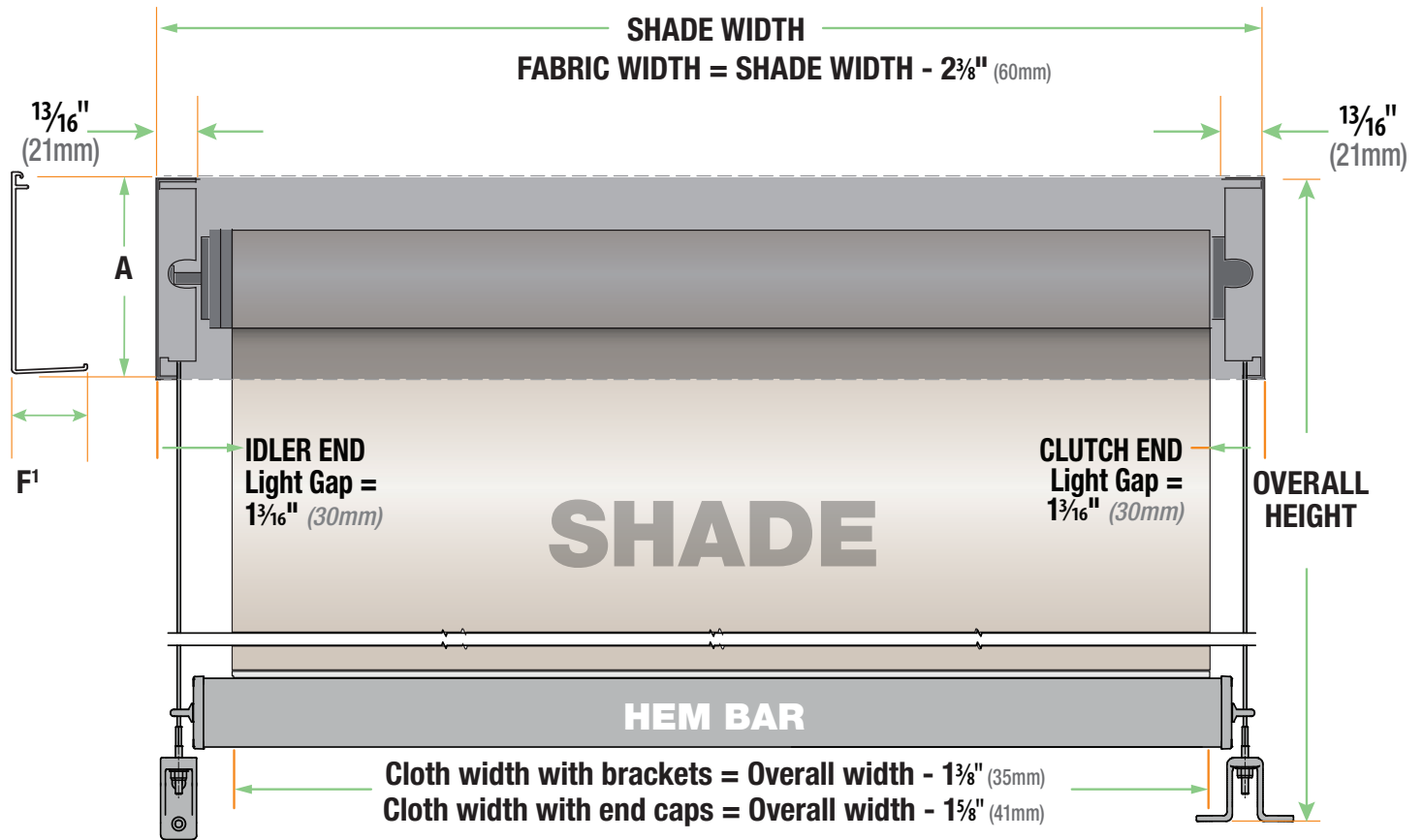
### STEP 2:



## Section 9 - Dimensions: Components



## Section 10 - Dimensions: Assembly



Fascia with Endcaps		
	SMALL	LARGE
<b>A<sup>1</sup></b>	3 7/8" (98mm)	4 5/8" (117mm)
<b>B<sup>1</sup></b>	3 3/8" (86mm)	4 5/8" (117mm)
<b>C<sup>1</sup></b>	1 3/16" (30mm)	1 9/16" (40mm)
<b>D<sup>1</sup></b>	5/8" (16mm)	5/8" (16mm)
<b>E<sup>1</sup></b>	1/16" (1.6mm)	3/32" (2.4mm)
<b>F<sup>1</sup></b>	3" (76mm)	3 1/4" (83mm)

Brackets*		
	SMALL	LARGE
<b>A<sup>2</sup></b>	2 3/16" (56mm)	2 3/16" (56mm)
<b>B<sup>2</sup></b>	2 3/8" (60mm)	3" (76mm)
<b>C<sup>2</sup></b>	1 1/16" (17mm)	1 1/16" (17mm)
<b>D<sup>2</sup></b>	1 5/8" (41mm)	2 1/4" (57mm)
<b>E<sup>2</sup></b>	1 3/4" (44mm)	1 3/4" (44mm)
<b>F<sup>2</sup></b>	N/A	N/A

