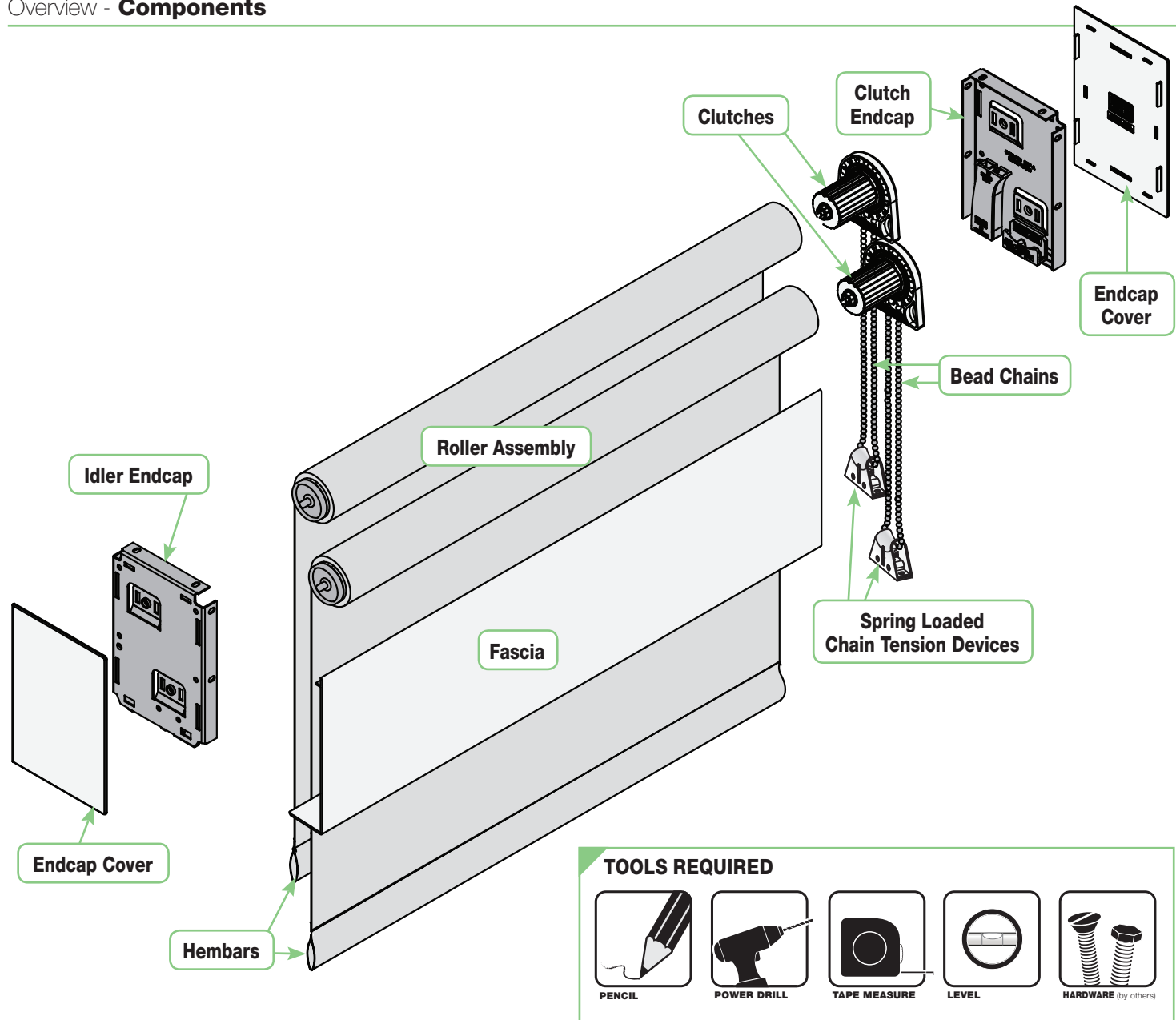


# Fascia for Bead Chain Clutch Dual Roller FlexShade®

## INSTRUCTIONS INSTALLATION & OPERATION

### Overview - Components



#### TOOLS REQUIRED



### ⚠ CAUTION ⚠

Read and understand all warnings (Page 2 of this document) before beginning installation.

#### Contents

Overview	Components.....	1	Section 3	Threading Clutch.....	4
Please Read	Warnings and Safety Information .....	2	Section 4	Attaching Fascia .....	4
Please Read	Field Adjustments, Cleaning and Maintenance .....	2	Section 5	Spring Assist.....	5
Section 1	Mounting Endcaps (Brackets).....	3	Section 6	Bead Chain Limits and Safety Device Installation .....	6
Section 2	Pocket Headbox Installation.....	3	Section 7	Dimensions.....	6

If you have any difficulties installing or servicing your Dual Roller Clutch FlexShade, call your dealer or Draper, Inc.

## Important Safety Information **WARNING** Important Safety Information

**Improper installation and use of the Fascia for Bead Chain Clutch Dual Roller FlexShade® can result in serious injury or death. Primarily, injuries can occur when the shade falls due to imprecise installation, mishandling of the shade during installation or installation on an insufficient wall or ceiling structure. Please use extreme care.**

1. Please read the following installation guidelines thoroughly and follow them carefully. Failure to do so may cause product to fall or otherwise fail, and could result in serious injury.
2. Installation and calibration of the shade should only be performed by an authorized, qualified, and experienced professional.
3. Do not affix the unit to wall or ceilings that have inadequate strength to permanently hold the unit during use. It is the owner's and installer's responsibility to confirm the wall or ceiling to which the unit attaches is sufficient to permanently hold the weight and stress loads of the unit at all times. Draper, Inc., is not responsible for improper installation, application, testing or workmanship related to the product at place of installation.
4. It is the installer's responsibility to make sure appropriate fasteners are used for mounting.
5. All brackets, fascia, head boxes, pockets, wall clips, and other hardware must be installed level. shade must be level and square.
6. Never leave the area while operating the shade during installation, maintenance, or normal operation, unless it is secure and safe.
7. Before testing or operation, carefully inspect the entire area and path of the shade and areas underneath the shade to be sure no persons or objects are in the area.
8. During testing or operation, carefully watch the surrounding area for any potential safety concerns including nearby persons or objects.
9. After installation, the entire system should be carefully tested to ensure safe and normal operation. Extreme care should be taken during testing to remain clear of moving parts to avoid possible injury.
10. Operation of shade should be performed only by authorized and qualified personnel, who have been trained in the safe and effective operation of the shade & understand its safety features.
11. The safety features of the shade should never be disabled, bypassed or overridden. The system should not be operated until all safety features are properly and completely installed, calibrated and tested.
12. Shade may need to comply with local, state or district rules and regulations, in particular when installed in schools. All applicable rules and regulations should be reviewed before installation and use.
13. Failure to precisely follow installation guidelines invalidates all warranties.
14. Custom products/installations may not be reflected in this manual. Call Draper, Inc., if you have questions regarding your installation.

## Before Beginning Installation

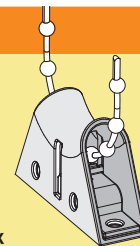
1. Look for any job site conditions that could interfere with installation or operation of the system.
2. Read carefully and be sure to understand all installation instructions and all related operations manuals. These instructions are intended to serve as a guide for the installer and owner. They should be followed closely and combined with the expertise of experienced qualified installers. Draper, Inc., is not responsible for improper installation, application, testing or workmanship related to the product at place of installation. Please retain all instructions for future use.
3. Open cartons lengthwise.
4. Locate and lay out all pieces.
5. Inspect all boxes to make sure you have received the proper shade and parts. Controls may be shipped separately, or in same carton as shade.
6. If you have any difficulties with installing, servicing or operating your shade, call your dealer or Draper, Inc., 765-987-7999.

## Child Safety Information

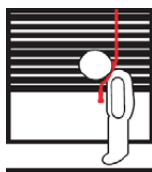
ANSI/WCMA A100.1-2018 standard (developed by the Window Coverings Manufacturer's Association and the Consumer Product Safety Commission) was established on December 15, 2018, to eliminate strangulation hazards for small children from hanging cords and chain loops.

When a Draper dealer specifies that custom shades comply with ANSI/WCMA A100.1-2018, Draper provides a pre-installed Spring-Loaded Chain Tension Device (shown at right) for clutch-operated units. A warning label is attached to the kit and approved mechanical fasteners are included. When properly installed, the tension device prevents the creation of a hazardous loop by maintaining tension on the bead chain. If not installed properly, the shade is partially inoperable. A warning label (shown below) is also added to the shade roller.

For more information, please see Draper's ANSI/WCMA A100.1-2018 compliance page: [www.draperinc.com/windowshades/wcmacompliance.aspx](http://www.draperinc.com/windowshades/wcmacompliance.aspx)



 **WARNING**  
 **ADVERTENCIA**



**Window Blind Cord can STRANGLE your child.** Keep cords out of children's reach. Shorten cords to prevent reach. Move crib and furniture away – Children can climb furniture to reach cords.

**La cuerda ciega de la ventana puede ESTRANGULAR a su niño.** Mantenga las cuerdas fuera del alcance de los niños. Acorte los cables para evitar el alcance. Mueva la cuna y los muebles lejos – Los niños pueden subir los muebles para alcanzar las cuerdas.

## Field Adjustments

Each Draper Solar Control Shade is tested to ensure proper operation. Even with this testing, some field adjustments may be needed for telescoping. If the shade is telescoping, place a piece of high quality gaffer tape about 1" wide on the exposed roller (where the fabric will cover it) on the side that the fabric will be drawn toward. For example: if the fabric is tracking to the left, place the tape on the right side.

## Cleaning and Maintenance

Window covering products manufactured by Draper, when properly installed, should require no operational maintenance or lubrication.

Most of Draper's standard fabrics may be cleaned at the window by vacuuming with a soft brush attachment. They also may be cleaned by using a sponge or soft cloth and mild solution of warm soapy water. A mild dishwashing liquid is recommended. A clean dry cloth is recommended for the metal finish.

**Please Note:** Exceptions are Flocké and Phifer SW7000 fabrics, which must be cleaned with a dry art sponge.

# Fascia for Bead Chain Clutch Dual Roller FlexShade®

## Section 1 - Mounting Endcaps (Brackets)

**Caution:** Before mounting shades, verify measurements on package label with shade.

**Please Note:** Installer is responsible for selecting mounting hardware appropriate for site conditions.

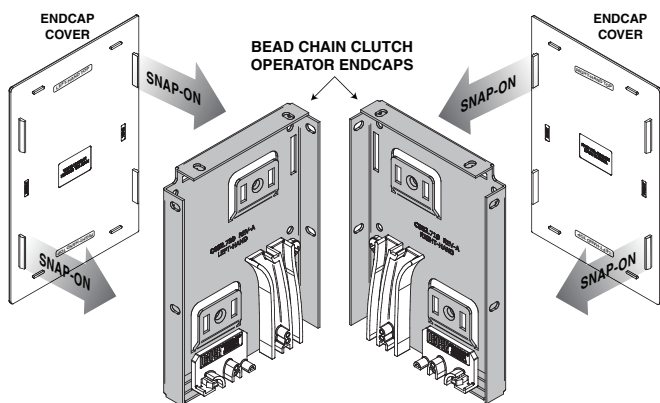
1. Snap endcap covers onto endcaps. Proper orientation of Left-Hand, Right-Hand, Front and Back, is noted on endcap covers (Fig. 1).
2. Mark wall, jamb or ceiling for placement of mounting endcaps.
3. Drill small starter hole (if necessary) in mounting surface.
4. Mount endcaps using appropriate fasteners for surface.

**Please Note:** Remove Safety Screw from idler endcap (Fig. 2). Then remove slide (keep for later).

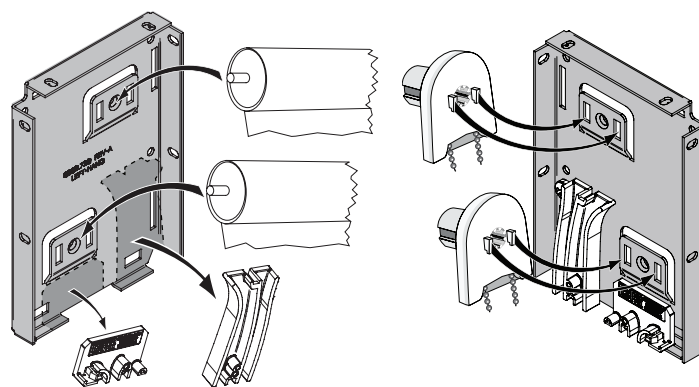
5. Place rear shade spring-loaded pin in idler endcap. Depress spring-loaded pin by pressing shade roller toward endcap. Slip operator end of rear shade into slots on endcap (Fig. 2).
- 6 Repeat with front shade.

**Please Note:** Endcaps MUST BE fastened securely to mounting surface and cannot move from side to side.

**Figure 1**



**Figure 2**



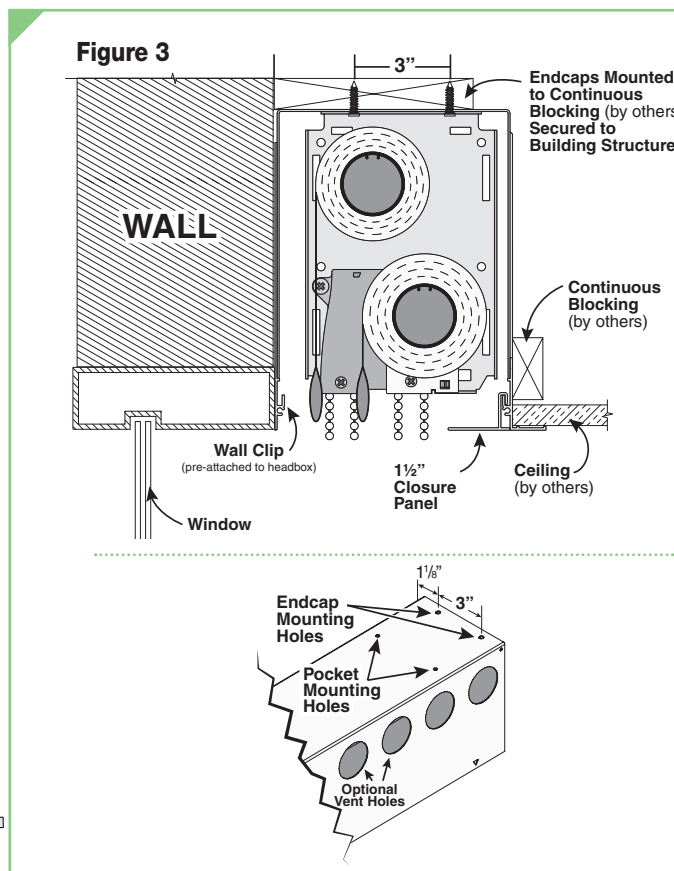
## Section 2 - Pocket Headbox Installation

**Please Note:** The Dual Roller FlexShade can also be installed in a pocket in ceiling. Installer must provide adequate clearance for removal of Roller Assembly during installation and maintenance.

**Please Note:** The Pocket Headbox for Dual Roller FlexShade must be mounted directly to ceiling, or to a continuous blocking that has been secured to building structure (Fig. 3).

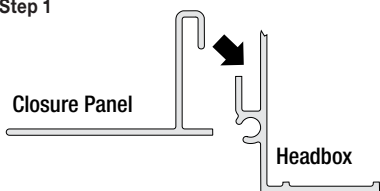
1. Lift headbox into mounting position. Mark location of optional pre-drilled pocket mounting holes and endcap mounting holes on top side of headbox on ceiling or continuous blocking.
2. Drill small starter hole (if necessary) in mounting surface.
3. Mount pocket headbox using appropriate fasteners for surface.
4. Mount endcaps using appropriate fasteners for surface (Section 1, Mounting Endcaps).

**Please Note:** Endcaps MUST BE fastened securely to mounting surface and cannot move from side to side.

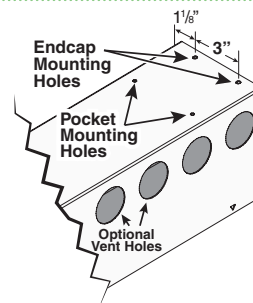
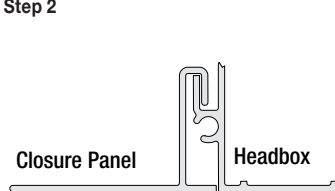


**Figure 4 INSTALLING CLOSURE PANEL**

Step 1



Step 2



# Fascia for Bead Chain Clutch Dual Roller FlexShade®

## Section 3 - Threading Clutch

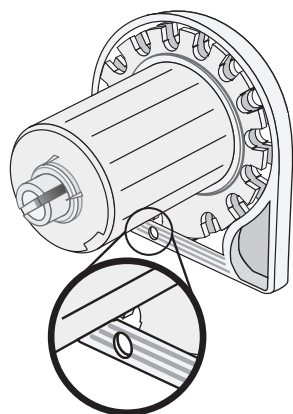


Figure 5

1. Use  $\frac{1}{8}$ " bit to drill pilot hole through one of two (2) indents near bottom of Clutch (Fig. 5).
2. Place rear shade spring-loaded pin in idler endcap.
3. Depress spring-loaded pin by pressing shade roller toward endcap.
4. Slip operator end of rear shade into slots on endcap.
5. String bead chain through chain guide and insert screws (Fig. 6).
6. Engage hook to chain guide, rotate cover into position and secure with screw (provided).
7. Repeat with front shade.

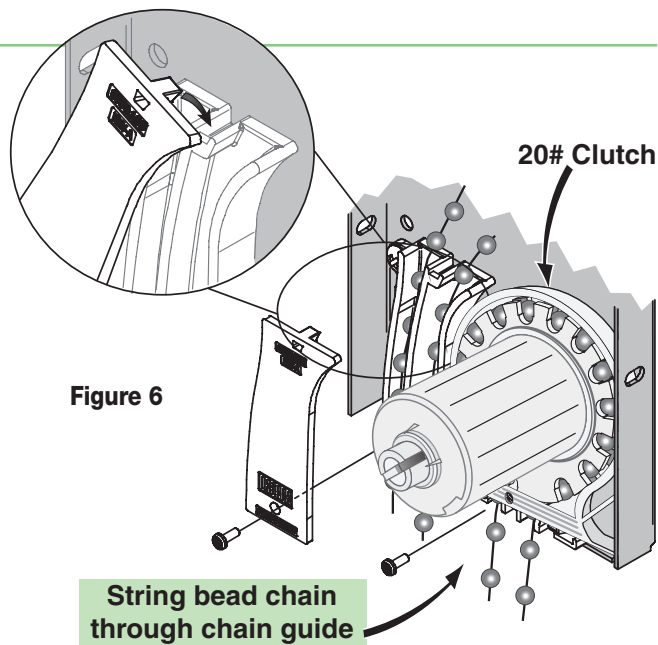


Figure 6

## Section 4 - Attaching Fascia

1. Place groove along top of fascia over endcaps, and snap into place (Fig. 7). Fascia is not fully seated until it clicks into place on both ends.
2. Once in place, check for secure fit. If necessary, secure with appropriate fasteners (not included).

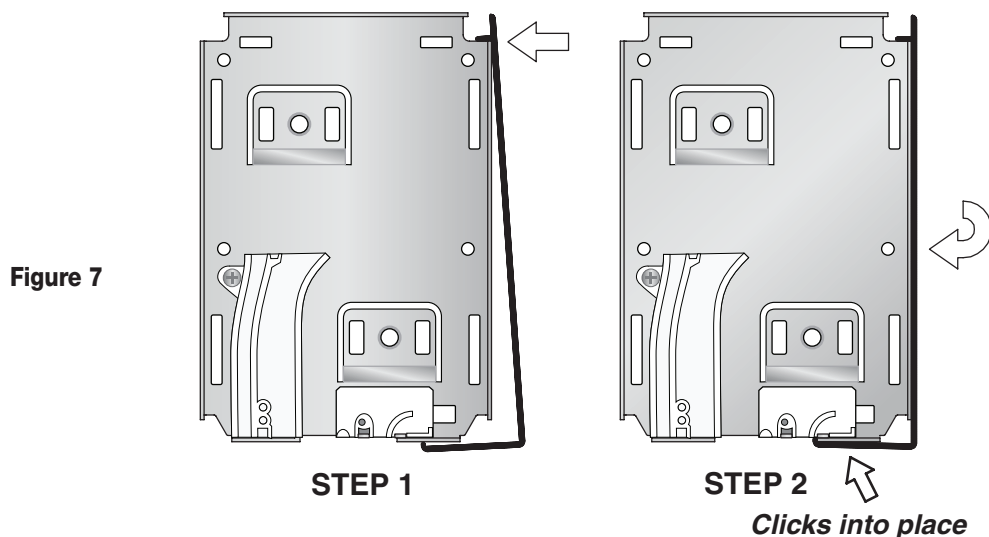


Figure 7

# Fascia for Bead Chain Clutch Dual Roller FlexShade®

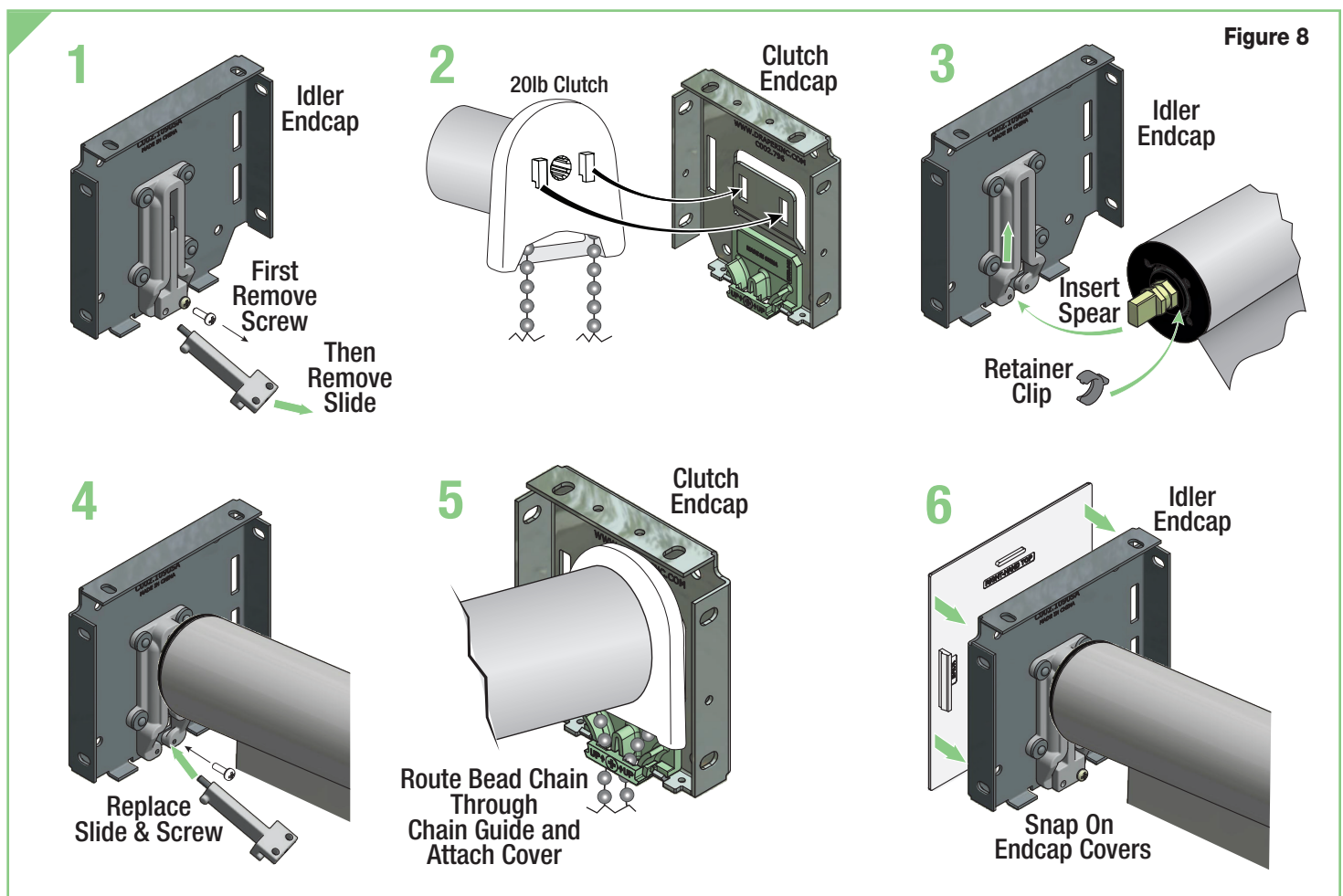
## Section 5 - Spring Assist (see Fig. 8)

**⚠ Caution:** Spring-assist will not operate correctly if installer attempts to change operator location or roll direction.

1. Remove Safety Screw from idler endcap. Then remove slide (*keep for later*).
2. Slip notches on operator end into other endcap, then press down to lock in place. Swing idler end into place. Slide idler end spear into receiver. If needed, compress spring-loaded spear.
3. Replace Slide and Safety Screw. Place into groove at an angle, slide up, and make sure bottom of slide hooks into Receiver.
4. Spear Retaining Clip must be installed around idler-end shaft (*Fig. 8*) to immobilize roller assembly during operation.
5. Route bead chain through chain guide, then attach cover using provided screw.
6. If installing Fascia, (see *Section 4.1 - Attaching Fascia to Endcaps*). If not, snap on Endcap Covers.

**⚠ Caution:** Be sure to lock chain guide cover to chain guide with provided screw.

**Please Note:** Make sure 24 lb clutch operator installs to endcap angled toward wall. If shade fabric is uneven, see "Field Adjustments" (Pg. 2).





# Fascia for Bead Chain Clutch Dual Roller FlexShade®

## Section 6 - Bead Chain Limits and Safety Device Installation

### Section 6.1 - Attaching Stop Balls

1. Set upper and lower travel limits by installing stop balls to bead chain (*crimp closed using pliers*) (Fig. 9).

**⚠ Caution:** Do not allow shade roller to become exposed by running shade fabric too far down. Be sure to use stop balls provided in hardware packet by Draper to set up and down travel limits. Stop balls by others may be too small, and become lodged in clutch mechanism.

### Section 6.2 - P-Clip Cord Tension Device

**Please Note:** Draper Bead Chain Clutch Operated shades that do not comply with WMCA/ANSI Standard A100.1-2018 come with a cord tension device pre-attached to bead chain (Fig. 10). This device must be attached to wall, jamb or sill so that bead chain is held taut enough that children cannot pull it away from wall or fit their head into loop.

### Section 6.3 - Spring-Loaded Cord Tension Device

Draper Clutch FlexShade complies with WMCA/ANSI Standard A100.1-2018, a Spring-Loaded Cord Tension Device comes installed on bead chain (Fig. 11). An approved permanent warning label and approved mechanical fasteners (*wood screws*) are included.

Device is designed so that children cannot pull bead chain away from wall or fit their head into loop. (See pg. 2). For more information, visit [www.draperinc.com/WindowShades/WCMACompliance.asp](http://www.draperinc.com/WindowShades/WCMACompliance.asp).

**Please Note:** Overtightening screws will damage Spring Loaded Tension Device.

**Please Note:** If shade fabric is uneven, see "Field Adjustments" section (pg. 2).

Figure 9

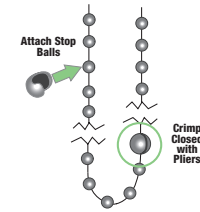


Figure 10

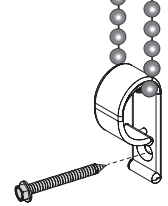
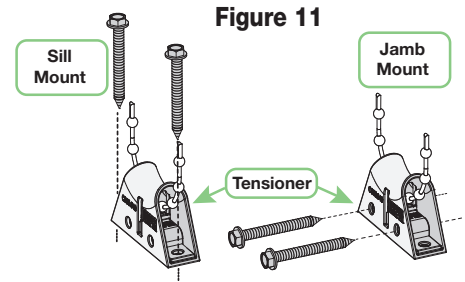
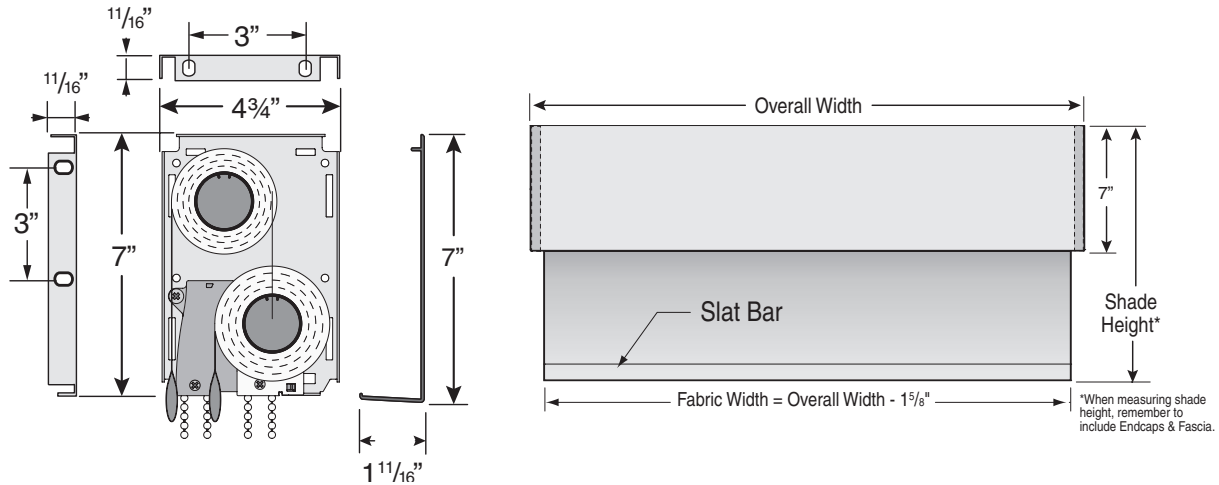


Figure 11



## Section 7 - Dimensions

### ENDCAP & FASCIA DIMENSIONS



### POCKET HEADBOX DIMENSIONS

