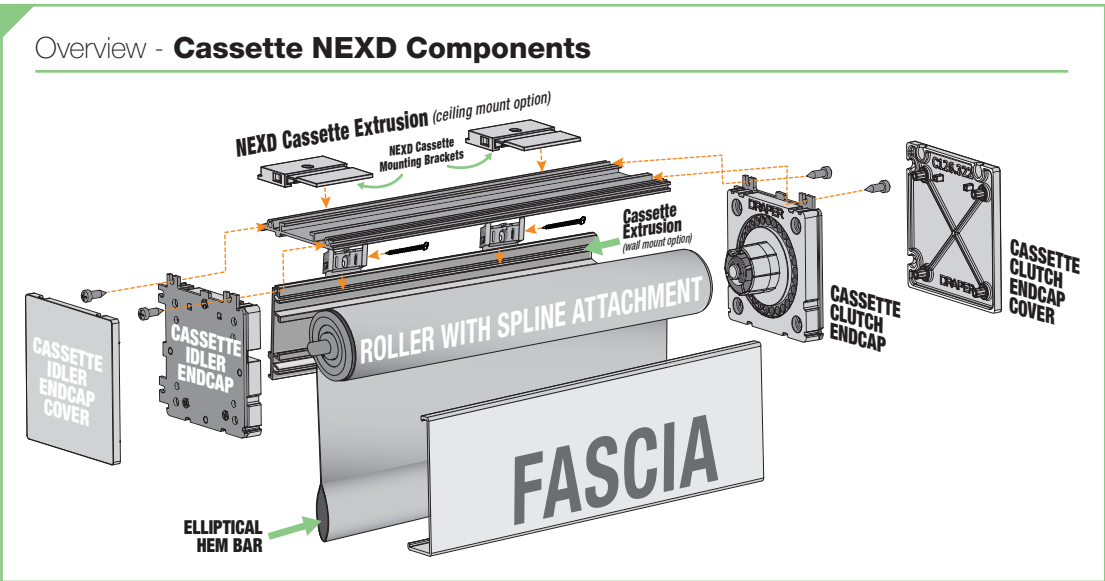
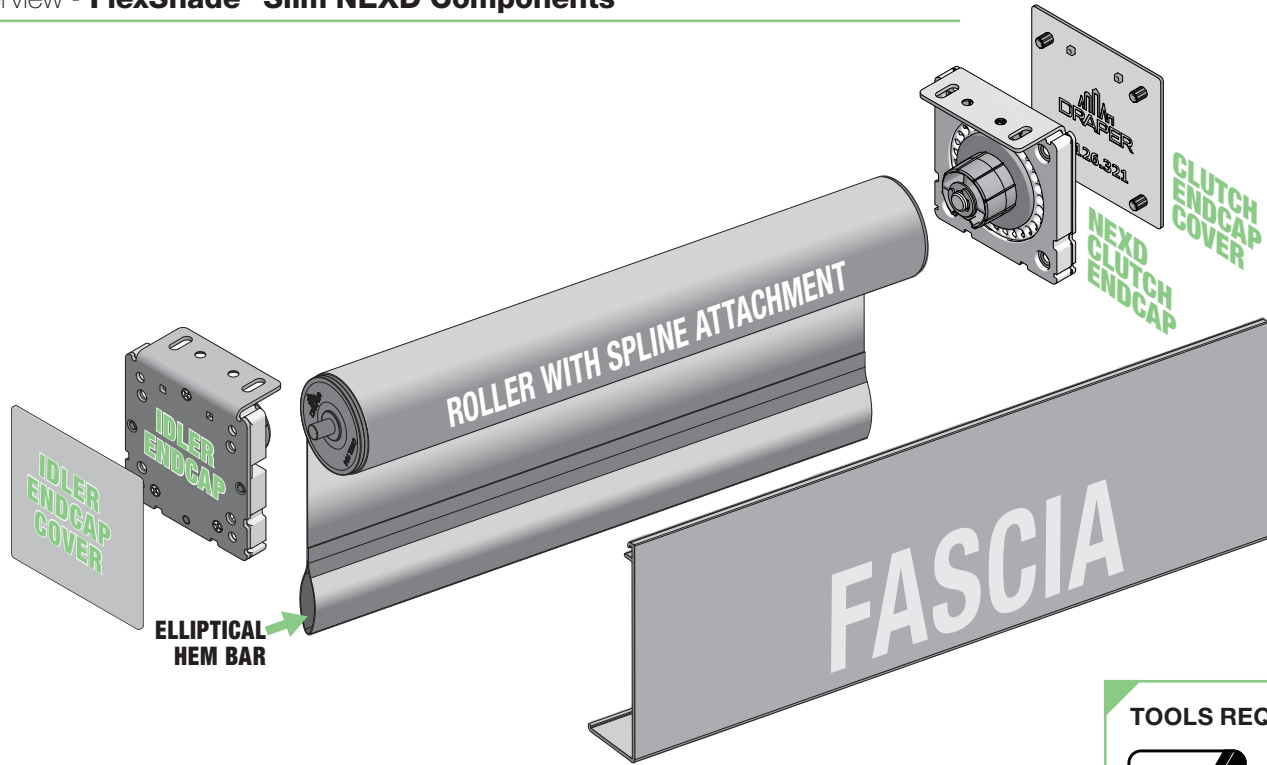


# Clutch-Operated FlexShade® NEXD, Slim Hardware

Heavy-duty, clutch-operated window shade with slim hardware profile and cassette option

## INSTRUCTIONS INSTALLATION & OPERATION

### Overview - FlexShade® Slim NEXD Components



**TOOLS REQUIRED**

PENCIL	LEVEL
POWER DRILL	HARDWARE (by others)
TAPE MEASURE	PLIERS

**⚠ CAUTION ⚠**  
Read and understand all warnings before beginning installation.

**Contents**

Overview - FlexShade® Slim NEXD Components.....	1	Section 3 - NEXD Cassette Installation.....	4
Overview - Cassette NEXD Components.....	1	Section 4 - Shade Fabric Roller Mounting.....	5
PLEASE READ - Important Safety Information.....	2	Section 5- Bead Chain Limits and Safety Device Installation.....	5
PLEASE READ - Field Adjustments, Cleaning and Maintenance.....	2	Section 6- Fascia.....	5
PLEASE READ - Important Installation Information.....	3	Section 7 - Dimensions (Endcaps Only Option).....	6
Section 1 - FlexShade NEXD Mounting With Endcap.....	3	Section 7 - Dimensions (Cassette Option).....	7
Section 2 - Converting Between Ceiling and Wall Configurations.....	3		

## PLEASE READ - Important Safety Information

### Important Safety Information



## WARNING



### Important Safety Information

**Improper installation and use of the Clutch-Operated FlexShade® NEXD can result in serious injury or death. Primarily, injuries can occur if the unit falls due to imprecise installation, mishandling of the shade during installation, or installation on an insufficient wall or ceiling structure. Please use extreme care.**

1. Please read the following installation guidelines thoroughly and follow them carefully. Failure to do so may cause product to fall or otherwise fail, and could result in serious injury.
2. Installation and calibration of the shade should only be performed by an authorized, qualified, and experienced professional.
3. Do not affix the unit to wall or ceilings that have inadequate strength to permanently hold the unit during use. It is the owner's and installer's responsibility to confirm the wall or ceiling to which the unit attaches is sufficient to permanently hold the weight and stress loads of the unit at all times. Draper, Inc., is not responsible for improper installation, application, testing, or workmanship related to the product at place of installation.
4. It is the installer's responsibility to make sure appropriate fasteners are used for mounting.
5. All brackets, fascia, headboxes, pockets, wall clips, and other hardware must be installed level. Shade unit must be level and square.
6. Before testing or operation, carefully inspect the entire area and path of the shade and areas underneath the shade to be sure no persons or objects are in the area.
7. During testing or operation, carefully watch the surrounding area for any potential safety concerns including nearby persons or objects.
8. After installation, the entire system should be carefully tested to ensure safe and normal operation. Extreme care should be taken during testing to remain clear of moving parts to avoid possible injury.
9. Operation of shade should be performed only by authorized and qualified personnel, who have been trained in the safe and effective operation of the shade and understand its safety features.
10. The safety features of the shade should never be disabled, bypassed, or overridden. The system should not be operated until all safety features are properly and completely installed, calibrated, and tested.
11. Shade may need to comply with local, state, or district rules and regulations, in particular when installed in schools. All applicable rules and regulations should be reviewed before installation and use.
12. Failure to precisely follow installation guidelines invalidates all warranties.
13. Custom products/installations may not be reflected in this manual. Call Draper, Inc., if you have questions regarding your installation.

### Before Beginning Installation

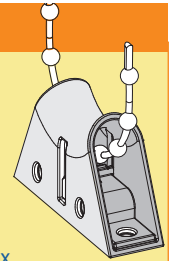
1. Look for any job site conditions that could interfere with installation or operation of the system.
2. Read carefully and be sure to understand all installation instructions and all related operations manuals. These instructions are intended to serve as a guide for the installer and owner. They should be followed closely and combined with the expertise of experienced qualified installers. Draper, Inc., is not responsible for improper installation, application, testing, or workmanship related to the product at place of installation. Please retain all instructions for future use.
3. Open cartons lengthwise, taking care not to cut into cardboard shipping container.
4. Locate and lay out all pieces.
5. Inspect all boxes to make sure you have received the proper shade and parts. Controls may be shipped separately, or in same carton as shade.
6. If you have any difficulties with installing, servicing, or operating your shade, call your dealer or Draper, Inc., 765-987-7999.

### Child Safety Information

ANSI/WCMA A100.1-2018 standard (developed by the Window Coverings Manufacturer's Association and the Consumer Product Safety Commission) was established on December 15, 2018, to eliminate strangulation hazards for small children from hanging cords and chain loops.

When Draper® dealers specify that custom shades comply with ANSI/WCMA A100.1-2018, Draper provides a pre-installed Spring-Loaded Chain Tension Device (shown at right) for clutch-operated units. A warning label is attached to the kit and approved mechanical fasteners are included. When properly installed, the tension device prevents the creation of a hazardous loop by maintaining tension on the bead chain. If not installed properly, the shade is partially inoperable. A warning label (shown below) is also added to the shade roller.

For more information, please see the Draper ANSI/WCMA A100.1-2018 compliance page: [www.draperinc.com/windowshades/wcmacompliance.aspx](http://www.draperinc.com/windowshades/wcmacompliance.aspx)



**WARNING**  
**ADVERTENCIA**



**Window Blind Cord can STRANGLE your child.** Keep cords out of children's reach. Shorten cords to prevent reach. Move crib and furniture away – Children can climb furniture to reach cords.

**La cuerda ciega de la ventana puede ESTRANGULAR a su niño.** Mantenga las cuerdas fuera del alcance de los niños. Acorte los cables para evitar el alcance. Mueva la cuna y los muebles lejos – Los niños pueden subir los muebles para alcanzar las cuerdas.

### PLEASE READ - Field Adjustments

Each Draper Solar Control Shade is tested to ensure proper operation. Even with this testing, some field adjustments may be needed for telescoping.

If the shade is telescoping, place a piece of high quality gaffer tape about 1" (25mm) wide on the exposed roller (where the fabric will cover it) on the side that the fabric will be drawn toward. For example: if the fabric is tracking to the left, place the tape on the right side.

### PLEASE READ - Cleaning and Maintenance

Window covering products manufactured by Draper, when properly installed, should require no operational maintenance or lubrication.

Most standard Draper fabrics may be cleaned at the window by vacuuming with a soft brush attachment. They also may be cleaned by using a sponge or soft cloth and mild solution of warm soapy water. A mild dishwashing liquid is recommended. A clean dry cloth is recommended for the metal finish.

**Please Note:** Exceptions are GreenScreen Evolve, GreenScreen Revive, Flocké and Phifer SW7000 fabrics, which must be cleaned with a dry art sponge.

## PLEASE READ - Important Installation Information

**⚠ Caution:**

1. Inspect all boxes to make sure you have received the proper shades and parts. Controls may be shipped separately, or in same carton as shades.
2. Open cartons lengthwise, taking care not to cut into cardboard shipping container.
3. Before mounting shades, verify measurements on label provided with shade, and ensure unit is installed at correct width.
4. All endcaps, fascia, pocket headbox, and other hardware must be installed level. Shades must be level and square.
6. Read the following installation guidelines thoroughly and follow them carefully. Failure to do so may cause product to fall or otherwise fail, and invalidates warranty.
7. Installer is responsible for selecting mounting hardware appropriate for site conditions.

## Section 1 - FlexShade NEXD Mounting With Endcap

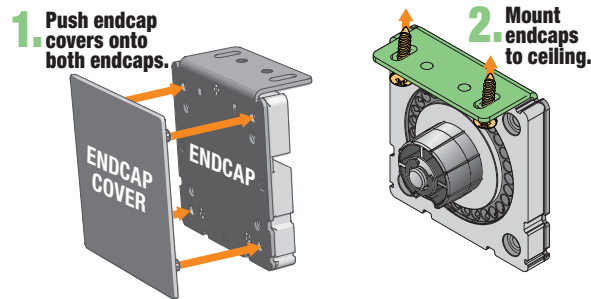
**⚠ Caution:** Before mounting shades, verify measurements on label provided with shade, and ensure unit is installed at correct width.

**Please Note:** Installer is responsible for selecting mounting hardware appropriate for site conditions.

**Figure 1**

### Ceiling Mounting with Endcap

1. Mark ceiling for placement of endcaps.
2. Drill small starter hole (if necessary) in mounting surface.
3. Attach endcap covers to endcaps.
4. Mount endcaps using appropriate fasteners for surface.

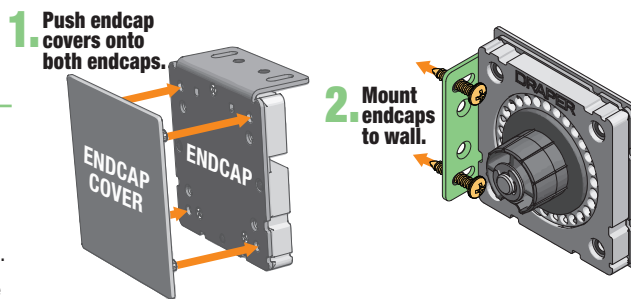


**Figure 2**

### Wall Mounting with Endcap

(See Section 2 to convert between ceiling and wall mounting configurations as needed.)

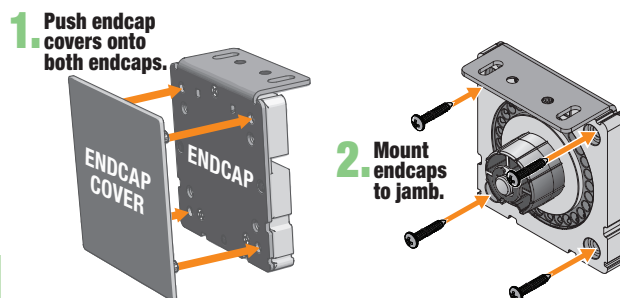
1. Mark wall for placement of endcaps.
2. Drill small starter hole (if necessary) in mounting surface.
3. Attach endcap covers to endcaps.
4. Mount endcaps using appropriate fasteners for surface.



**Figure 3**

### Jamb Mounting with Endcap

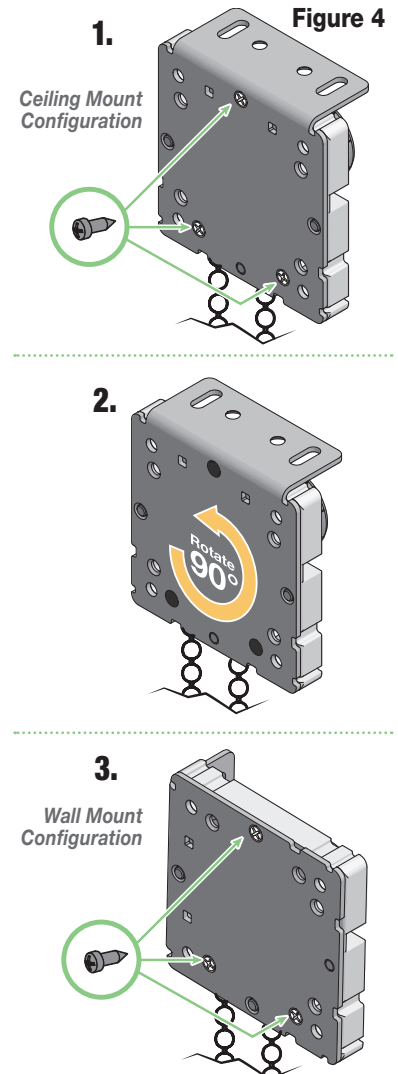
1. Mark jamb for placement of endcaps.
2. Drill small starter hole (if necessary) in mounting surface.
3. Attach idler and operator endcap covers to endcaps.
4. Mount endcaps using appropriate fasteners for surface.



**Please Note:** Requires a minimum of 2 fasteners. It is not necessary to utilize all 4 corners.

## Section 2 - Converting Between Ceiling and Wall Mounting Configurations

1. Remove these three screws from endcaps. (Fig. 4 for steps 1-3).
2. Rotate metal mounting plate 90° toward the mounting surface.
3. Reattach these three screws to endcaps.



## Section 3 - NEXD Cassette Installation

### Ceiling Mount (Fig. 5-A)

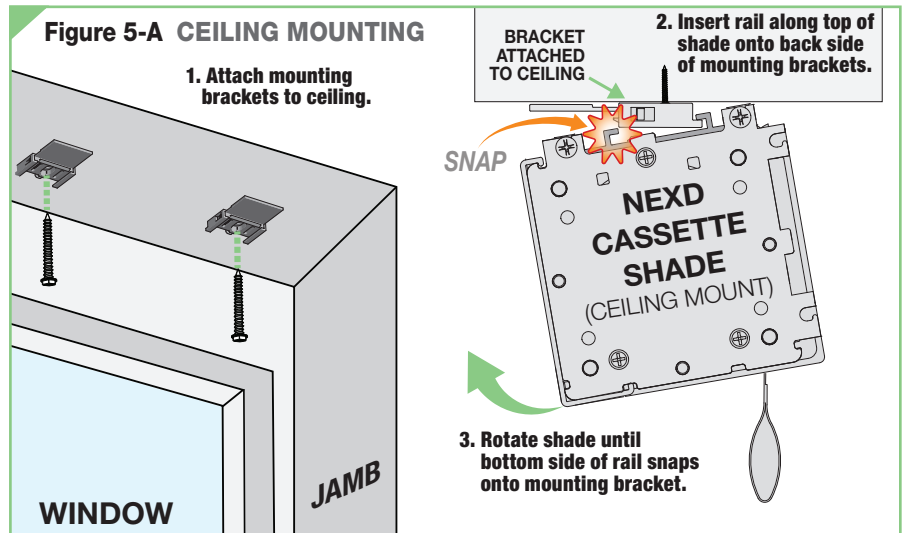
**Caution:** Before mounting shades, verify measurements on label provided with shade, and ensure unit is installed at correct width.

**Please Note:** Endcaps covers are NOT to be removed at any point during NEXD Cassette installation.

1. The brackets will be attached to top of window frame (or ceiling) as shown.

**Please note:** Mounting brackets must be securely attached to mounting surface.

2. The outermost brackets should be installed approximately 2" (51mm) in from edge of window frame. Any remaining brackets will be spaced out evenly in between outermost brackets.
3. Before tightening bracket to mounting surface, make sure that plastic tab on bracket is facing toward front of shade.
4. To remove cassette from brackets, reverse steps 1 - 3.



### Wall Mount (Fig. 5-B)

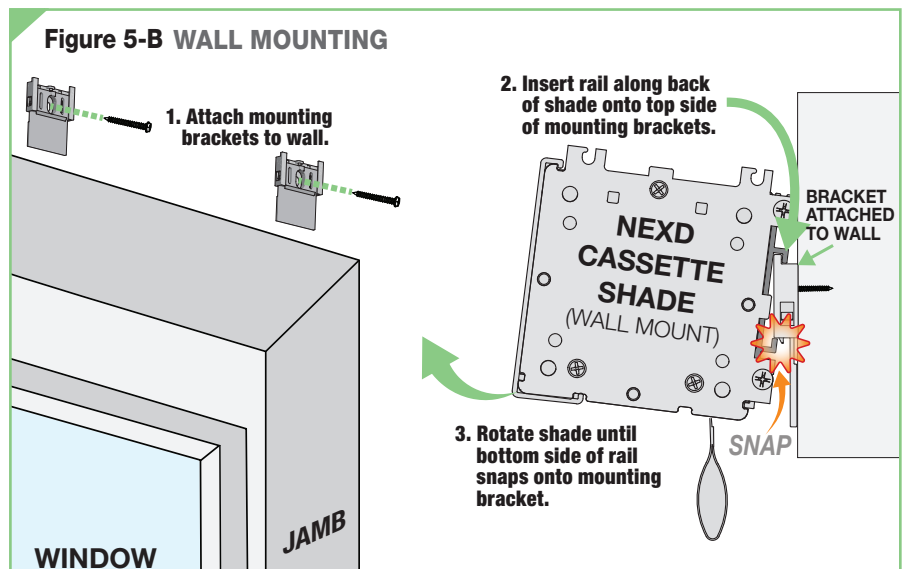
**Caution:** Before mounting shades, verify measurements on label provided with shade, and ensure unit is installed at correct width.

**Please Note:** Endcaps covers are NOT to be removed at any point during NEXD Cassette installation.

1. The brackets will be attached to wall above window frame as shown.

**Please note:** Mounting brackets must be securely attached to mounting surface.

2. The outermost brackets should be installed approximately 2" (51mm) in from edge of window frame. Any remaining brackets will be spaced out evenly in between outermost brackets.
3. Before tightening bracket to mounting surface, make sure that plastic tab on bracket is facing toward front of shade.
4. To remove cassette from brackets, reverse steps 1 - 3.



## Section 4 - Shade Fabric Roller Mounting (Fig. 6)

**⚠ Caution:** Do not allow shade roller to become exposed by running shade fabric too far down. Be sure to use stop balls provided in hardware packet by Draper to set up and down travel limits. Stop balls by others may be too small, and become lodged in clutch mechanism.

**Please Note:** If shade fabric is uneven, see "Field Adjustments" on page 2.

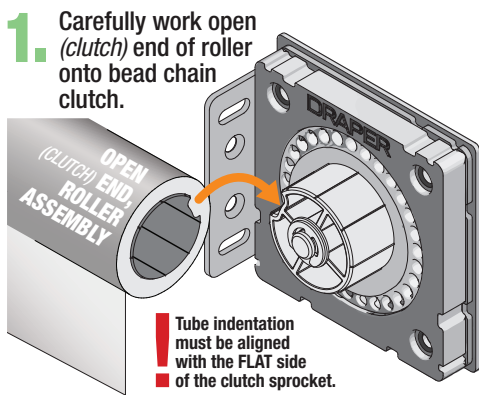


Figure 6-A

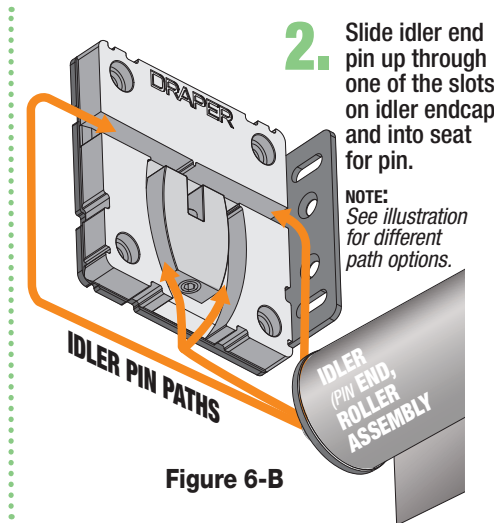


Figure 6-B

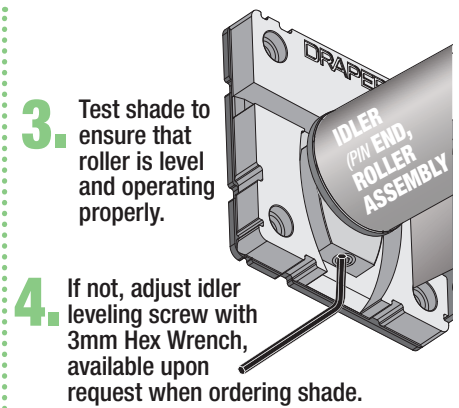


Figure 6-C

## Section 5- Bead Chain Limits and Safety Device Installation

### Attaching Stop Balls

1. Set upper and lower travel limits by installing stop balls to bead chain (crimp closed using pliers) (Fig. 7).

### P-Clip Cord Tension Device

**Please Note:** Draper Bead Chain Clutch-Operated shades that do not comply with WMCA/ANSI Standard A100.1-2012 come with a P Clip cord tension device pre-attached to bead chain (Fig. 8). This device must be attached to wall, jamb, or sill so that bead chain is held taut enough that children cannot pull it away from wall or fit their head into loop.

### Spring-Loaded Cord Tension Device

If Draper Clutch FlexShade complies with WMCA/ANSI Standard A100.1-2018, a Spring-Loaded Cord Tension Device comes installed on bead chain (Fig. 9). An approved permanent warning label and approved mechanical fasteners (wood screws) are included. Device is designed so that children cannot pull bead chain away from wall or fit their head into loop. (See safety note on page 2).

For more information, visit [www.draperinc.com/WindowShades/WCMACompliance.asp](http://www.draperinc.com/WindowShades/WCMACompliance.asp).

1. Install cord tension device to wall, jamb, or sill.
2. Pull tensioner down so that bead chain is held taut and use mounting hardware to keep it taut.

**Please Note:** Bead chain should be taut enough to move smoothly through device. However, overtightening screws will damage Spring-Loaded Tension Device.

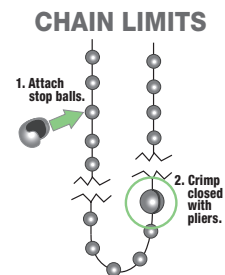


Figure 7

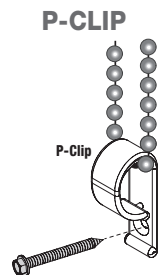


Figure 8

### CHAIN TENSION DEVICE

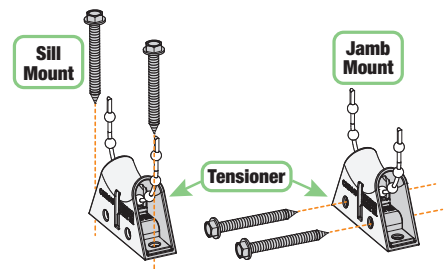


Figure 9

## Section 6- Fascia

1. Place groove along top of fascia over endcaps.
2. Snap into place (Fig. 10).

**Please Note:** Fascia is not fully seated until it clicks into place on both ends. Once in place, check for secure fit.

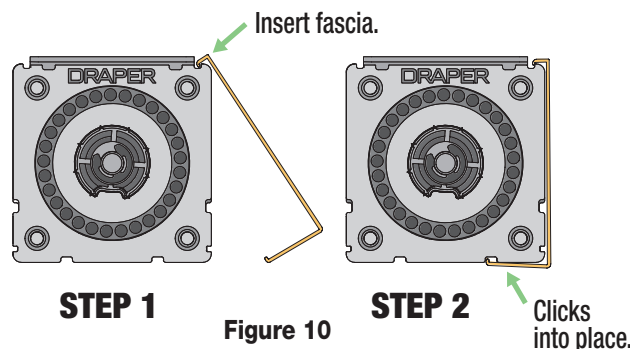
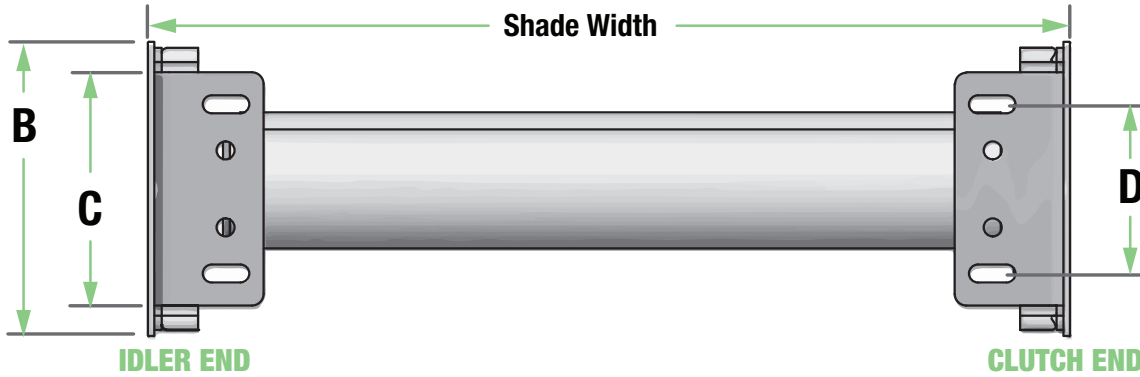


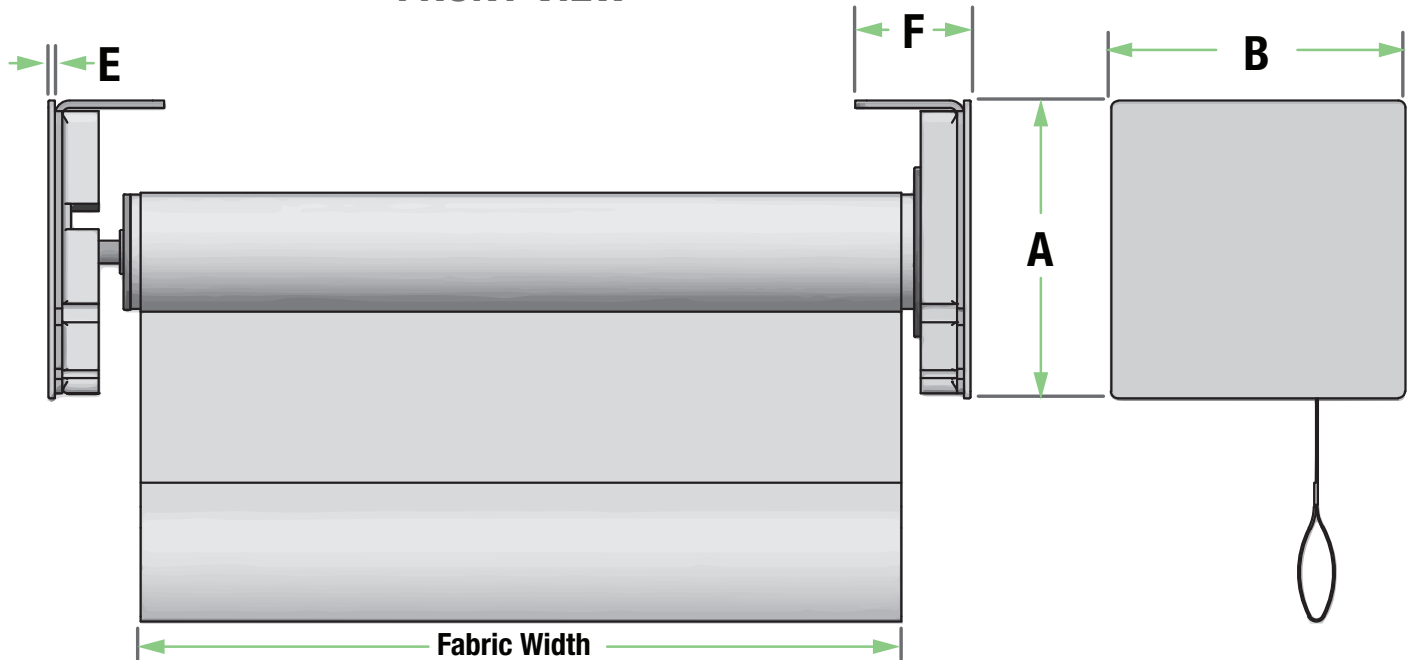
Figure 10

Section 7 - **Dimensions** (Endcaps Only Option)

## TOP-DOWN VIEW



## FRONT VIEW



**PLEASE NOTE:**  
Overall Width includes plastic endcap covers, which add  $\frac{1}{8}$ " (3mm) to Overall Width.

**PLEASE NOTE:**  
When measuring shade height, remember to include endcaps and fascia or headbox.

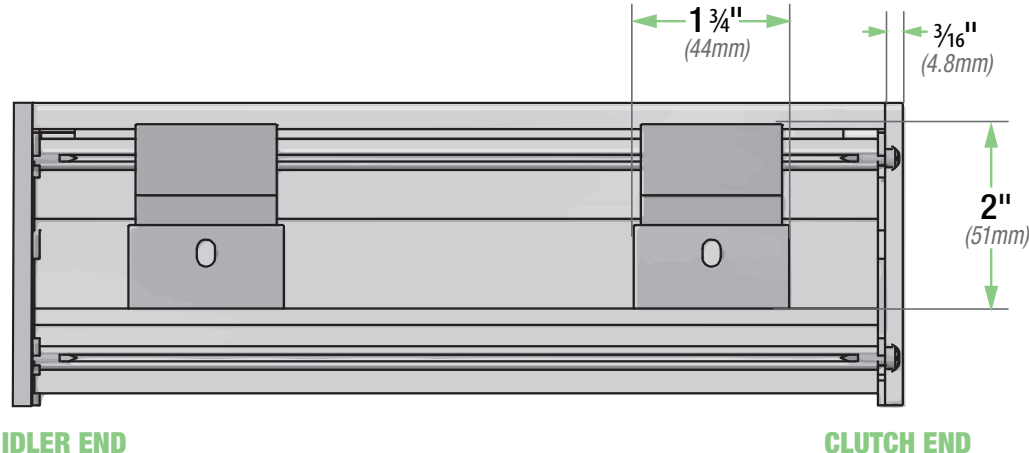
WALL MOUNT DIMENSIONS	
<b>A</b>	3 $\frac{3}{16}$ " (81 mm)
<b>B</b>	3 $\frac{1}{4}$ " (83 mm)
<b>C</b>	2 $\frac{1}{2}$ " (64 mm)
<b>D</b>	1 $\frac{3}{16}$ " (30 mm)
<b>E</b>	$\frac{1}{16}$ " (1.6 mm)
<b>F</b>	1 $\frac{1}{4}$ " (32 mm)

CEILING MOUNT DIMENSIONS	
<b>A</b>	3 $\frac{1}{4}$ " (83 mm)
<b>B</b>	3 $\frac{3}{16}$ " (81 mm)
<b>C</b>	2 $\frac{1}{2}$ " (64 mm)
<b>D</b>	1 $\frac{3}{16}$ " (30 mm)
<b>E</b>	$\frac{1}{16}$ " (1.6 mm)
<b>F</b>	1 $\frac{1}{4}$ " (32 mm)

Section 7 - **Dimensions** (Cassette Option)

**Please note:** Endcap covers are NOT to be removed at any point during NEXD Cassette installation.

### CASSETTE TOP VIEW



### FRONT VIEW

