

Clutch-Operated FlexShade® NEXD, Small and Large Hardware

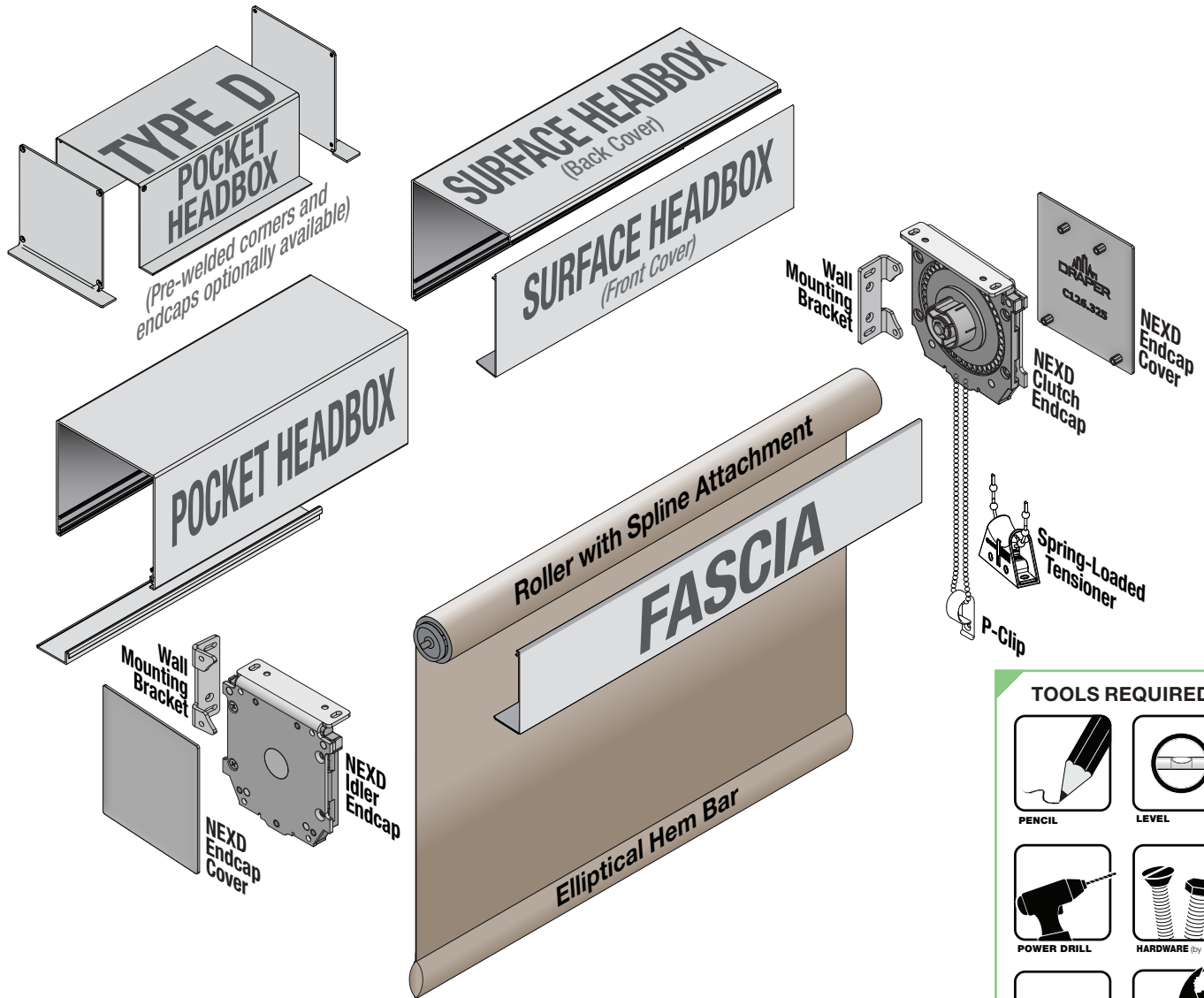
Next generation premium manually-operated shades

INSTRUCTIONS INSTALLATION & OPERATION

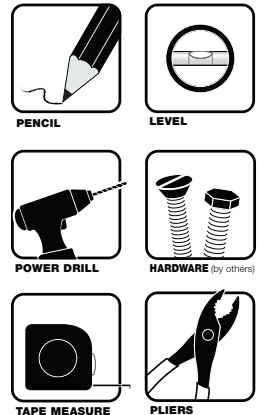
Overview - **Components** (Small Hardware shown)

FLEXSHADE NEXD

PLEASE NOTE: The Pocket-Style Headbox is not designed for pre-installation, as the shade must be installed at the same time as the headbox. If a headbox needs to be pre-installed, Draper recommends using the Type D Pocket Headbox.



TOOLS REQUIRED



⚠ CAUTION ⚠

Read and understand all warnings before beginning installation.

Contents

Overview - Components	1	Section 4 - Pin End Idler (Provided with Smaller Shades).....	5
PLEASE READ - Important Safety Information	2	Section 5 - Bead Chain Limits and Safety Device Installation.....	5
PLEASE READ - Field Adjustments, Cleaning and Maintenance.....	2	Section 6 - Top/Back Cover Installation.....	6
PLEASE READ - Important Installation Information.....	3	Section 7 - Attaching Fascia.....	7
Section 1 - Mounting Endcaps	3	Section 8 - Pocket Headbox.....	7
Section 2 - Converting Between Left and Right Configurations	4	Section 9 - Dimensions (Ceiling Mount shown)	8
Section 3 - Spring Assist Idler (Standard)	4		

If you have any difficulties installing or servicing your FlexShade® NEXD, call your dealer or Draper, Inc.

PLEASE READ - Important Safety Information

Important Safety Information



WARNING



Important Safety Information

Improper installation and use of the Clutch-Operated FlexShade® NEXD can result in serious injury or death. Primarily, injuries can occur if the unit falls due to imprecise installation, mishandling of the shade during installation, or installation on an insufficient wall or ceiling structure. Please use extreme care.

1. Please read the following installation guidelines thoroughly and follow them carefully. Failure to do so may cause product to fall or otherwise fail, and could result in serious injury.
2. Installation and calibration of the shade should only be performed by an authorized, qualified, and experienced professional.
3. Do not affix the unit to wall or ceilings that have inadequate strength to permanently hold the unit during use. It is the owner's and installer's responsibility to confirm the wall or ceiling to which the unit attaches is sufficient to permanently hold the weight and stress loads of the unit at all times. Draper®, Inc., is not responsible for improper installation, application, testing, or workmanship related to the product at place of installation.
4. It is the installer's responsibility to make sure appropriate fasteners are used for mounting.
5. All brackets, fascia, headboxes, pockets, wall clips, and other hardware must be installed level. Shade unit must be level and square.
6. Before testing or operation, carefully inspect the entire area and path of the shade and areas underneath the shade to be sure no persons or objects are in the area.
7. During testing or operation, carefully watch the surrounding area for any potential safety concerns including nearby persons or objects.
8. After installation, the entire system should be carefully tested to ensure safe and normal operation. Extreme care should be taken during testing to remain clear of moving parts to avoid possible injury.
9. Operation of shade should be performed only by authorized and qualified personnel, who have been trained in the safe and effective operation of the shade and understand its safety features.
10. The safety features of the shade should never be disabled, bypassed, or overridden. The system should not be operated until all safety features are properly and completely installed, calibrated, and tested.
11. Shade may need to comply with local, state, or district rules and regulations, in particular when installed in schools. All applicable rules and regulations should be reviewed before installation and use.
12. Failure to precisely follow installation guidelines invalidates all warranties.
13. Custom products/installations may not be reflected in this manual. Call Draper, Inc., if you have questions regarding your installation.

Before Beginning Installation

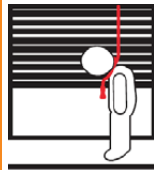
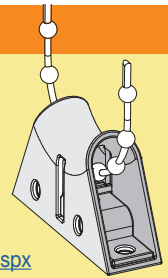
1. Look for any job site conditions that could interfere with installation or operation of the system.
2. Read carefully and be sure to understand all installation instructions and all related operations manuals. These instructions are intended to serve as a guide for the installer and owner. They should be followed closely and combined with the expertise of experienced qualified installers. Draper, Inc., is not responsible for improper installation, application, testing, or workmanship related to the product at place of installation. Please retain all instructions for future use.
3. Open cartons lengthwise, taking care not to cut into cardboard shipping container.
4. Locate and lay out all pieces.
5. Inspect all boxes to make sure you have received the proper shade and parts. Controls may be shipped separately, or in same carton as shade.
6. If you have any difficulties with installing, servicing, or operating your shade, call your dealer or Draper, Inc., 765-987-7999.

Child Safety Information

ANSI/WCMA A100.1-2018 standard (developed by the Window Coverings Manufacturer's Association and the Consumer Product Safety Commission) was established on December 15, 2018, to eliminate strangulation hazards for small children from hanging cords and chain loops.

When Draper® dealers specify that custom shades comply with ANSI/WCMA A100.1-2018, Draper provides a pre-installed Spring-Loaded Chain Tension Device (shown at right) for clutch-operated units. A warning label is attached to the kit and approved mechanical fasteners are included. When properly installed, the tension device prevents the creation of a hazardous loop by maintaining tension on the bead chain. If not installed properly, the shade is partially inoperable. A warning label (shown below) is also added to the shade roller.

For more information, please see the Draper ANSI/WCMA A100.1-2018 compliance page: www.draperinc.com/windowshades/wcmacompliance.aspx



Window Blind Cord can STRANGLE your child. Keep cords out of children's reach. Shorten cords to prevent reach. Move crib and furniture away – Children can climb furniture to reach cords.

La cuerda ciega de la ventana puede ESTRANGULAR a su niño. Mantenga las cuerdas fuera del alcance de los niños. Acorte los cables para evitar el alcance. Mueva la cuna y los muebles lejos – Los niños pueden subir los muebles para alcanzar las cuerdas.

PLEASE READ - Field Adjustments

Each Draper Solar Control Shade is tested to ensure proper operation. Even with this testing, some field adjustments may be needed for telescoping.

If the shade is telescoping, place a piece of shiming fabric into the fabric roll when the shade is deployed on the side that the fabric will be drawn toward. For example: if the fabric is tracking to the left, place the shimming fabric on the right side.

PLEASE READ - Cleaning and Maintenance

Window covering products manufactured by Draper, when properly installed, should require no operational maintenance or lubrication.

Most standard Draper fabrics may be cleaned at the window by vacuuming with a soft brush attachment. They also may be cleaned by using a sponge or soft cloth and mild solution of warm soapy water. A mild dishwashing liquid is recommended. A clean dry cloth is recommended for the metal finish.

Please Note: Exceptions are GreenScreen Evolve®, GreenScreen Revive®, Flocké®, and Phifer® SW7000 fabrics, which must be cleaned with a dry art sponge.
(GreenScreen Revive® and GreenScreen Evolve® are registered trademarks of Mermet® USA. SheerWeave® is a registered trademark of Phifer® Incorporated.)

PLEASE READ - Important Installation Information

⚠ Caution:

1. Inspect all boxes to make sure you have received the proper shades and parts. Controls may be shipped separately, or in same carton as shades.
2. Open cartons lengthwise, taking care not to cut into cardboard shipping container.
3. Before mounting shades, verify measurements on label provided with shade, and ensure unit is installed at correct width.
4. All endcaps, fascia, pocket headbox, and other hardware must be installed level. Shades must be level and square.
6. Read the following installation guidelines thoroughly and follow them carefully. Failure to do so may cause product to fall or otherwise fail, and invalidates warranty.
7. Installer is responsible for selecting mounting hardware appropriate for site conditions.

Section 1 - Mounting Endcaps

⚠ Caution: Before mounting shades, verify measurements on label provided with shade, and ensure unit is installed at correct width.

Please Note: Installer is responsible for selecting mounting hardware appropriate for site conditions.

Please Note: The NEXD ships equipped for wall mounting. **Product is field adjustable by installer from wall to ceiling mounting configuration, and right hand to left hand operation.**

Figure 1

Wall Mounting Endcap

1. Mark wall for placement of endcaps.
2. Drill small starter hole (if necessary) in mounting surface.
3. Attach idler and operator endcap covers to endcaps.
4. Mount endcaps using appropriate fasteners for surface. (See Section 2 to convert between right and left mounting configurations as needed.)

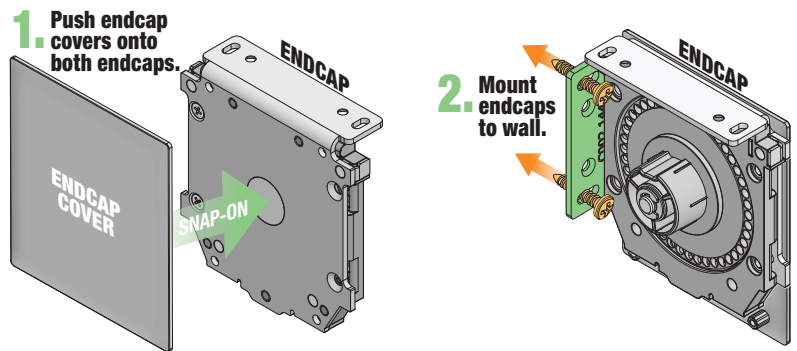


Figure 2

Ceiling Mounting Endcap

1. Mark ceiling for placement of endcaps.
2. Drill small starter hole (if necessary) in mounting surface.
3. Attach idler and operator endcap covers to endcaps.
4. Mount endcaps using appropriate fasteners for surface.

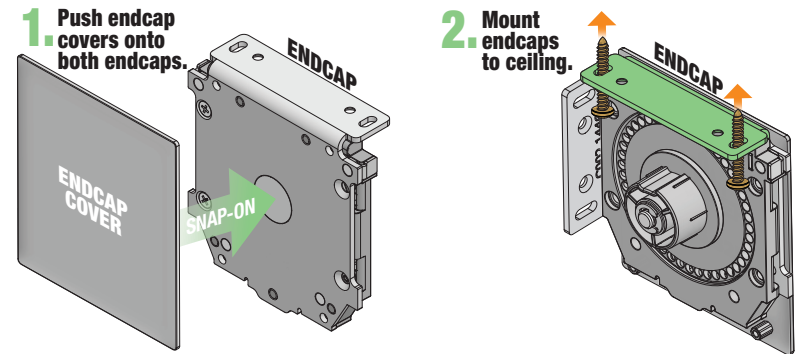
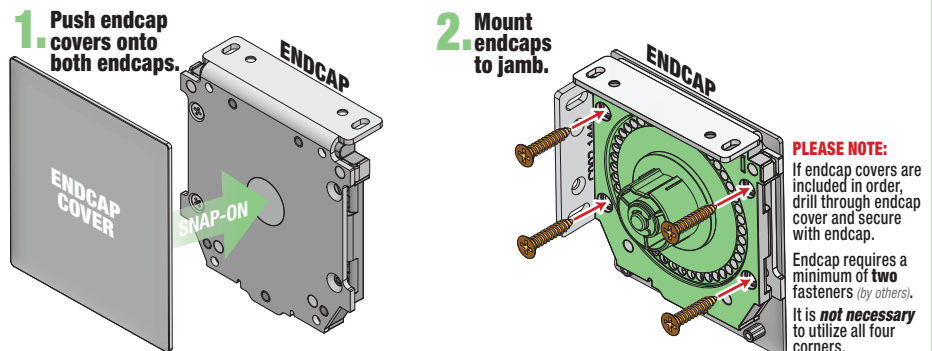


Figure 3

Jamb Mounting Endcap

1. Mark wall for placement of endcaps.
2. Drill small starter hole (if necessary) in mounting surface.
3. Attach idler and operator endcap covers to endcaps.
4. Mount endcaps using appropriate fasteners for surface.



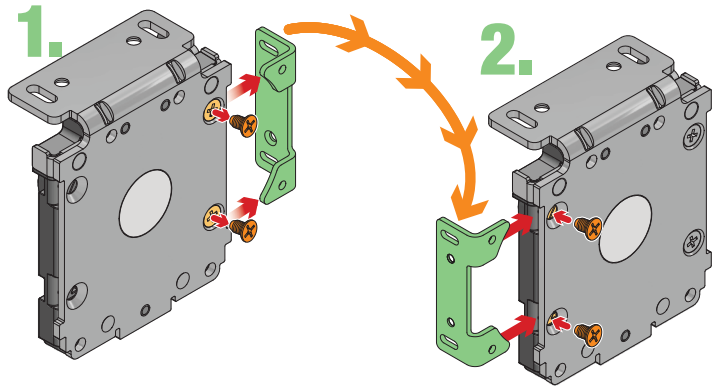
PLEASE NOTE:
If endcap covers are included in order, drill through endcap cover and secure with endcap.
Endcap requires a minimum of two fasteners (by others). It is **not necessary** to utilize all four corners.

Please Note: If endcap covers are included in the order, drill through the endcap cover and secure with the endcap.

Section 2 - Converting Between Left and Right Wall Mounting Configurations

1. Remove screws and Wall Mounting Bracket from reverse side of endcap.
2. Insert Wall Mounting Bracket into slots on other side of endcap, and use screws to reattach Wall Mounting Bracket to endcap.

Figure 4

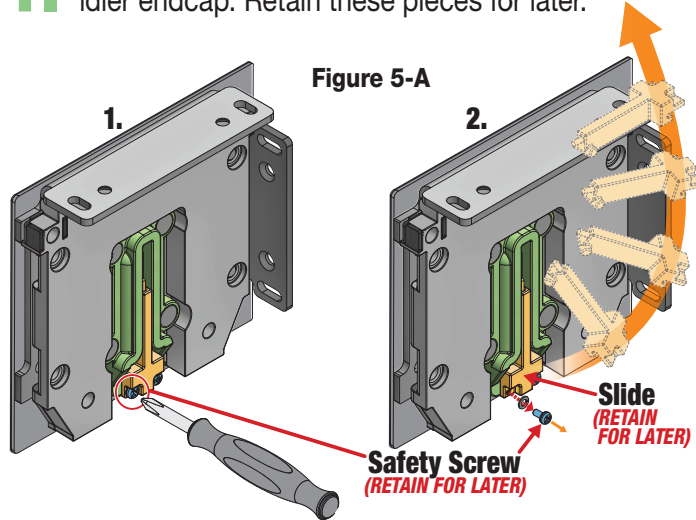


Section 3 - Spring Assist Idler (Standard)

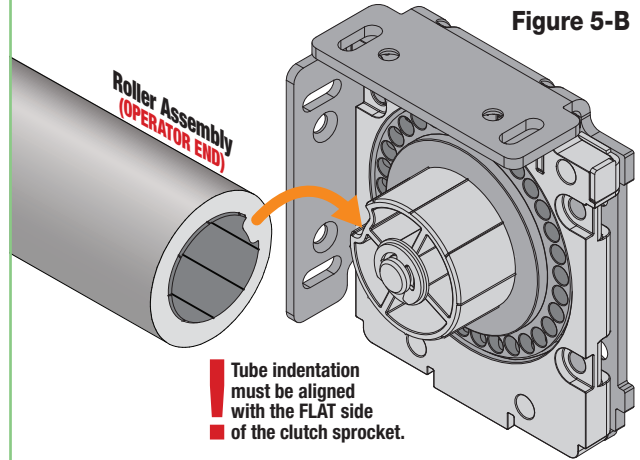
⚠ Caution: Do not allow shade roller to become exposed by running shade fabric too far down. Use stop balls provided in hardware packet by Draper® to set up and down travel limits. Stop balls by others may be too small, and become lodged in clutch mechanism.

Please Note: If shade fabric is uneven, see “Field Adjustments” on page 2.

1. Remove the safety screw and slide from the top idler endcap. Retain these pieces for later.

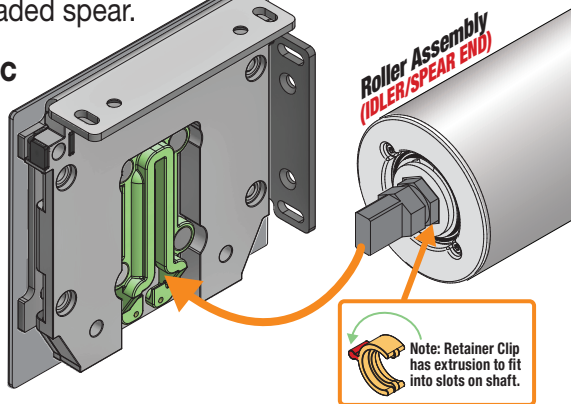


2. Install roller assembly tube onto clutch .



3. Swing the idler end into place, then slide the idler end spear into the receiver. It may be necessary to compress the spring-loaded spear.

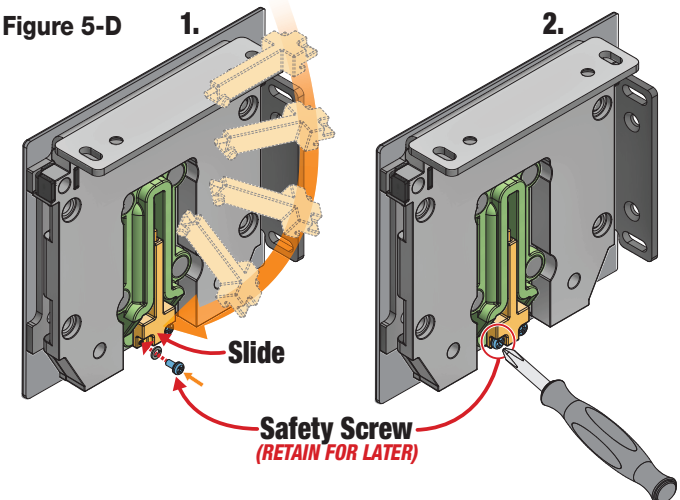
Figure 5-C



⚠ Caution: The retaining clip must be installed around the idler-end shaft as shown to prevent the roller assembly from moving left or right during operation, and to ensure that the spring-loaded shaft does not retract into the mechanism in case of a bearing failure.

4. Replace slide and safety screw. Place into groove at an angle, slide up, and ensure the bottom of the slide is hooked into the receiver.

Figure 5-D



Section 4 - Pin End Idler (Provided with Smaller Shades)

⚠ Caution: Do not allow shade roller to become exposed by running shade fabric too far down. Use stop balls provided in hardware packet by Draper to set up and down travel limits. Stop balls by others may be too small, and become lodged in clutch mechanism.

Please Note: If shade fabric is uneven, see "Field Adjustments" on page 2.

1. Carefully work open (clutch) end of roller onto bead chain clutch.

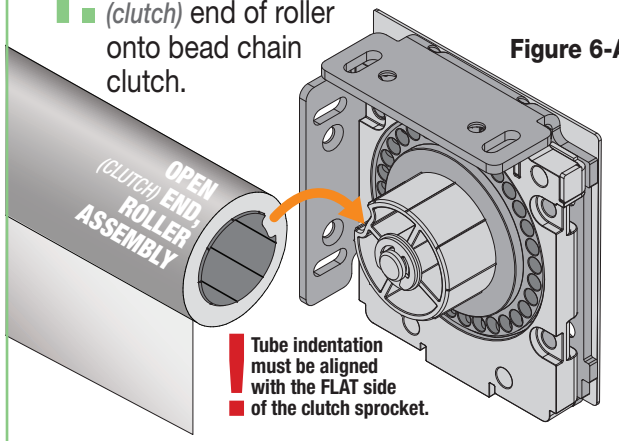


Figure 6-A

Tube indentation must be aligned with the FLAT side of the clutch sprocket.

2. Slide idler end pin through one of the slots on the idler endcap, and into the spring-loaded seat for pin.

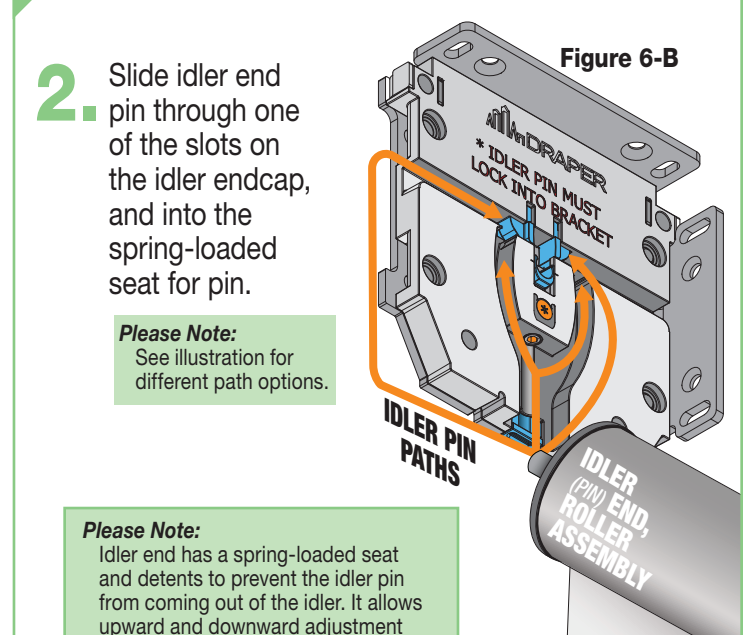


Figure 6-B

IDLER PIN PATHS

IDLER (PIN) END, ROLLER ASSEMBLY

* IDLER PIN MUST LOCK INTO BRACKET

Please Note: See illustration for different path options.

Please Note: Idler end has a spring-loaded seat and detents to prevent the idler pin from coming out of the idler. It allows upward and downward adjustment within the vertical cavity.

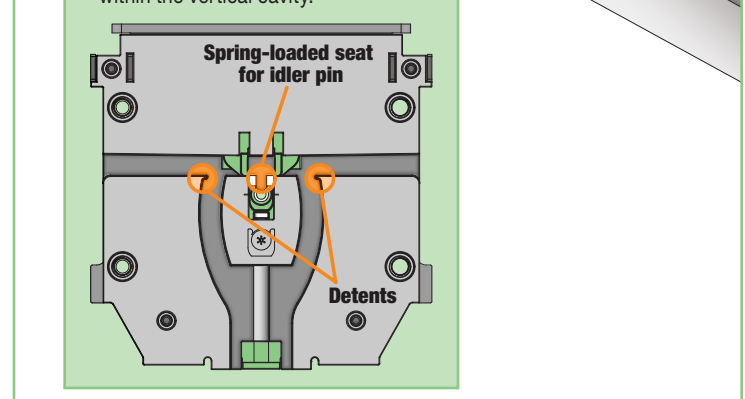


Figure 6-C

Spring-loaded seat for idler pin

Detents

Please Note: Applying 1-2 drops of a medium-strength threadlocker to the threads of the height adjustment screw is recommended prior to final adjustment.

3. Test shade to ensure that roller is level and operating properly.

4. If shade is *not* level, adjust idler leveling screw with 3mm Hex Wrench, available upon request when ordering shade.

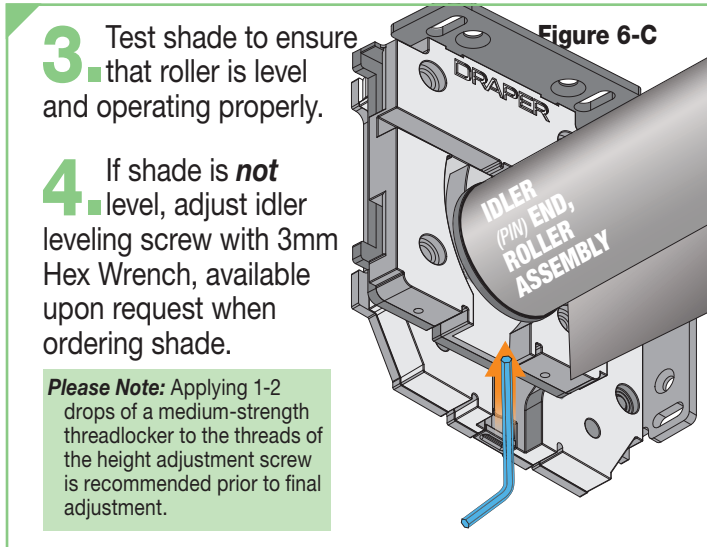


Figure 6-C

Section 5 - Bead Chain Limits and Safety Device Installation

Attaching Stop Balls

- Set upper and lower travel limits by installing stop balls to bead chain (crimp closed using pliers) (Fig. 7).

P-Clip Cord Tension Device

Please Note: Draper® Bead Chain Clutch-Operated shades that do not comply with WMCA/ANSI Standard A100.1-2012 come with a P-Clip cord tension device pre-attached to bead chain (Fig. 8). This device must be attached to wall, jamb, or sill so that bead chain is held taut enough that children cannot pull it away from wall or fit their head into loop.

Spring-Loaded Cord Tension Device

If Draper Clutch FlexShade complies with WMCA/ANSI Standard A100.1-2018, a Spring-Loaded Cord Tension Device comes installed on bead chain (Fig. 9). An approved permanent warning label and approved mechanical fasteners (wood screws) are included. Device is designed so that children cannot pull bead chain away from wall or fit their head into loop. (See safety note on page 2).

For more information, visit www.draperinc.com/WindowShades/WCMACompliance.asp.

- Pull tensioner down so that bead chain is held taut and use mounting hardware to keep it taut.

- Install cord tension device to wall, jamb, or sill.

Please Note: Bead chain should be taut enough to move smoothly through device. However, overtightening screws will damage Spring-Loaded Tension Device.

Figure 7: CHAIN LIMITS

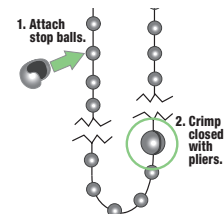


Figure 8: P-CLIP

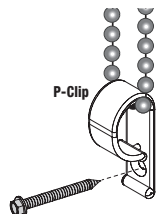
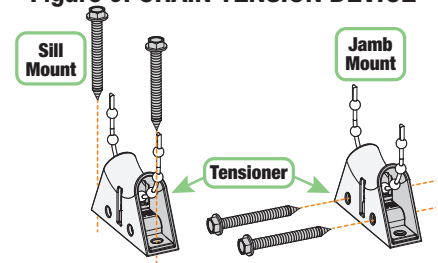


Figure 9: CHAIN TENSION DEVICE



Section 6 - Top/Back Cover Installation

Figure 10-A

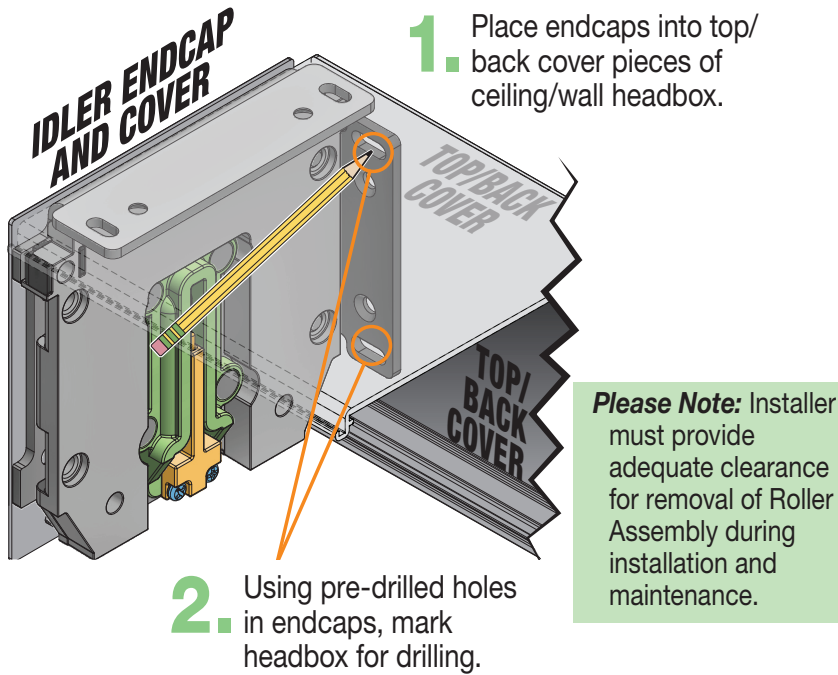


Figure 10-B

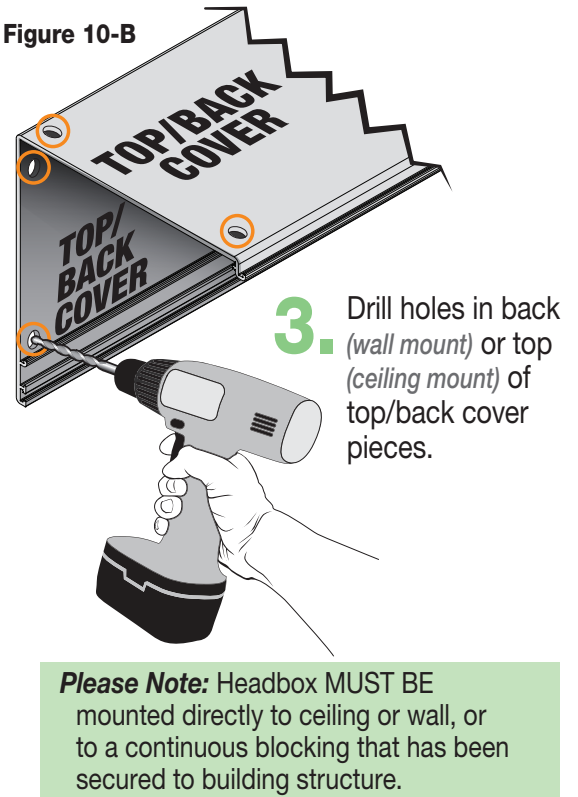
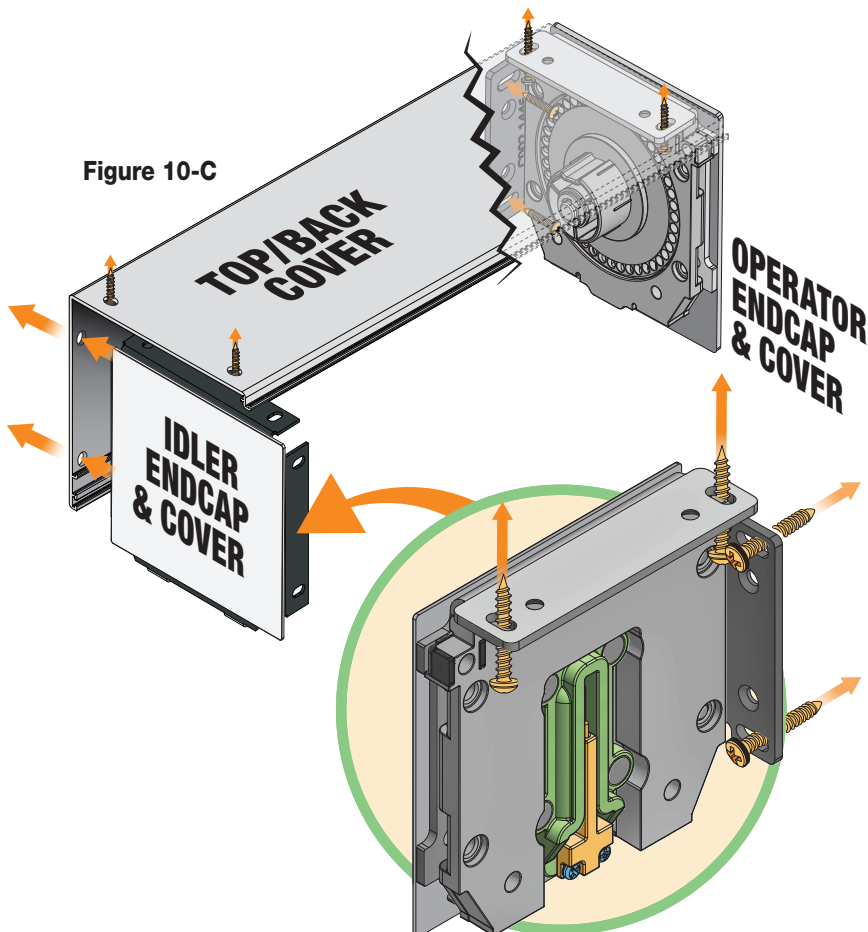
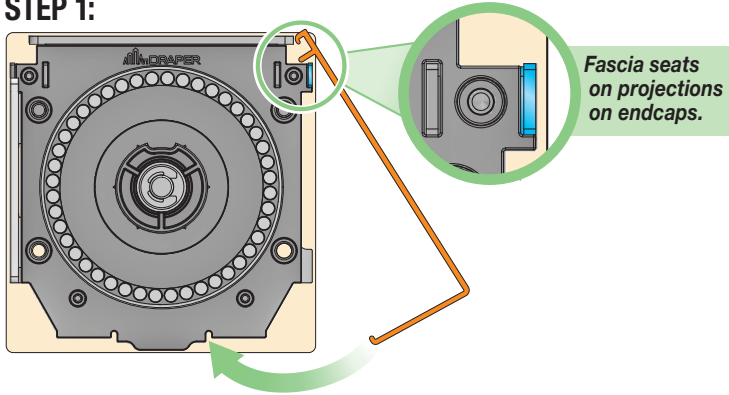


Figure 10-C

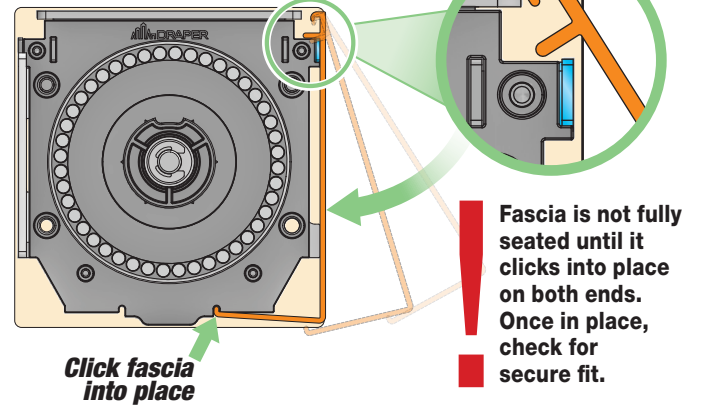


Section 7 - Attaching Fascia

STEP 1:

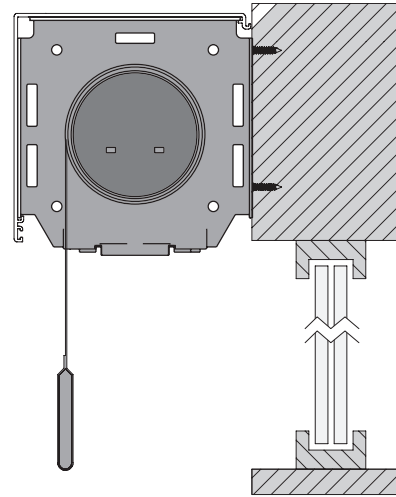


STEP 2:



Reverse Roll Fascia

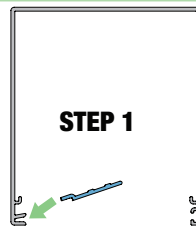
1. Slide endcaps into fascia.
2. Using provided holes in endcaps, mark the fascia for drilling.
3. Attach endcaps to fascia.
4. Mount endcaps/reverse roll fascia.
5. Install roller/fabric/operator assembly according to relevant instructions.
6. Attach endcap covers to endcaps. Use double-sided tape to help secure in place.
7. Once in place, check for secure fit. If not secure, secure with appropriate fastener (not included).



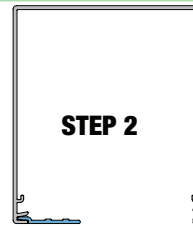
Section 8 - Pocket Headbox

1. Slide endcaps into the pocket extrusion of headbox. Using provided holes in endcaps, mark headbox for drilling.
2. Drill holes in back (wall mount) or top (ceiling mount).
3. Attach Pocket Headbox extrusion using mounting hardware appropriate for site conditions.
4. Install shade (See Sections 1 - 5).
6. Attach pocket closure. Once in place, secure with appropriate fastener (not included) if necessary.

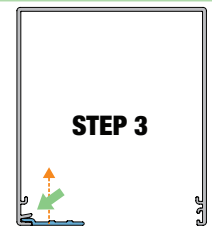
Small Pocket Headbox



STEP 1



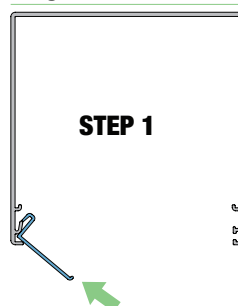
STEP 2



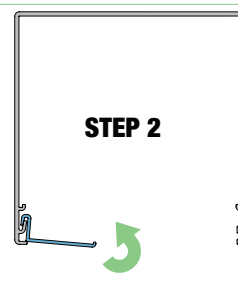
STEP 3

Secure to Endcap with Screw

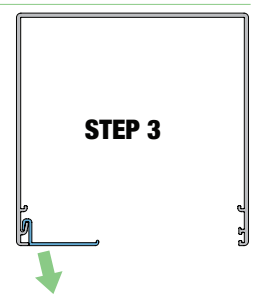
Large Pocket Headbox



STEP 1



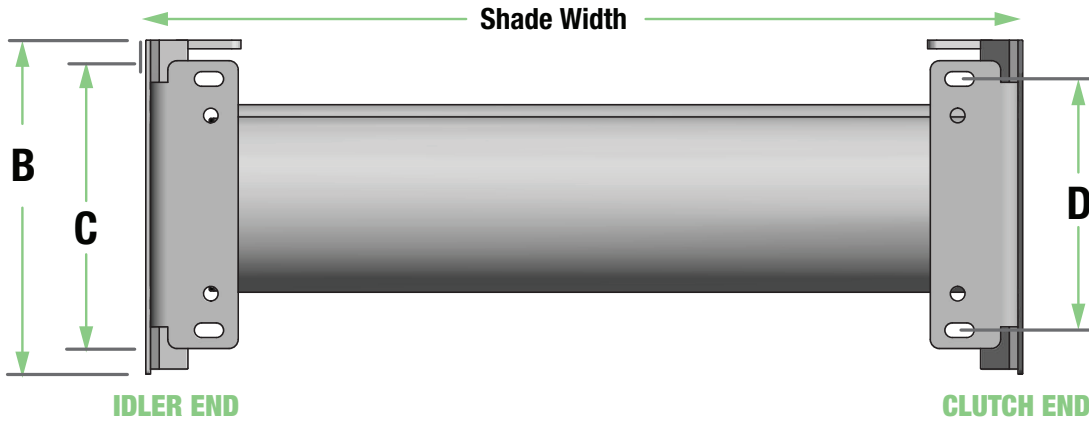
STEP 2



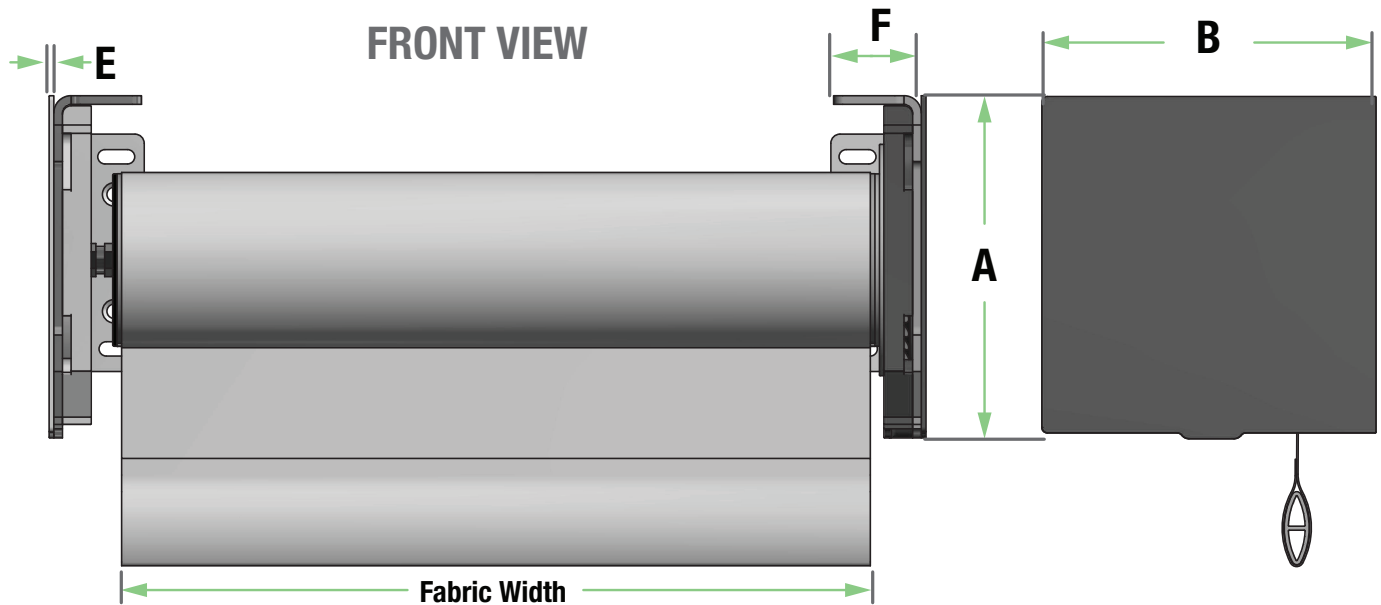
STEP 3

Section 9 - **Dimensions** (Ceiling Mount shown)

TOP-DOWN VIEW



FRONT VIEW



FlexShade NEXD Endcaps & Fascia

	ENDCAPS	
	SMALL	LARGE
A	3 7/8" (98mm)	4 5/8" (117mm)
B	3 3/8" (86mm)	4 5/8" (117mm)
C	2 3/4" (70mm)	3 15/16" (100mm)
D	2 1/8" (54mm)	3 7/16" (87mm)
E	1/16" (2mm)	1/16" (2mm)
F	1 1/4" (32mm)	1 1/4" (32mm)

	ENDCAPS WITH FASCIA	
	SMALL	LARGE
	3 7/8" (98mm)	4 5/8" (117mm)
	3 3/8" (86mm)	4 5/8" (117mm)
	2 3/4" (70mm)	3 15/16" (100mm)
	2 1/8" (54mm)	3 7/16" (87mm)
	1/16" (2mm)	1/16" (2mm)
	1 1/4" (32mm)	1 1/4" (32mm)

	HEADBOX WITH ENDCAPS	
	SMALL	LARGE
	3 15/16" (100mm)	4 1/16" (119mm)
	3 7/16" (87mm)	4 1/16" (119mm)
	2 3/4" (70mm)	3 15/16" (100mm)
	2 1/8" (54mm)	3 7/16" (87mm)
	1/16" (2mm)	1/16" (2mm)
	1 1/4" (32mm)	1 1/4" (32mm)