

# Bottom-Up FlexShade— Motorized Dual Roller



Patent Pending

**Please check all appropriate selections and attach room schedule with field verified dimensions:**

**Select Operator:**

- Standard 110-120V AC Motors (Located on the Bottom of the Shade)
  - Standard Motor
  - Quiet Motor

**Controls**

- 110-120V Wall Switch for Single Shade Control
- Low Voltage and/or Multiple Shade Control\*

**Please see Draper's IntelliFlex Controls Reference Sheet and IntelliFlex Control System Planning Sheet to design a control solution for this product. The forms are available at [www.draperinc.com](http://www.draperinc.com), or by contacting Draper.**

**Radio Technology Motors**

- 110-120V AC Radio Technology Motor
- 110-120V AC Radio Technology Quiet Motor

**Controls**

- Altus RF
  - 1-Channel Transmitter
  - 4-Channel Transmitter
  - 5-Channel Transmitter with scroll wheel
  - Dry Contact Interface
  - Single Motor Sun Sensor (Circle one: White/Ivory)
- Wireless Wall Switch
  - 1-Channel (Circle one: White/Ivory)
  - 4-Channel (Circle one: White/Ivory)
  - Chronis 1-Channel with 24-hour Timer
- Multi-Link Universal RTS Interface (5-channel)
- Multi-Link RS232 to RTS Interface (16-channel)

**Intelligent Technology (ILT) 110-120V Motors**

- Standard ILT 110-120V Motor
- Quiet ILT 110-120V

**Controls**

- 1-Channel RF Transmitter
- 4-Channel RF Transmitter
- 5-Channel RF Transmitter with Scroll Wheel
- 1-Channel IR Transmitter
- Wireless Wall Switch

**Select Hardware Finish**

- Clear Anodized (standard)**
- Black       Ivory
- White       Bronze

**Size:** \_\_\_\_\_

- IM\*
- OM\*

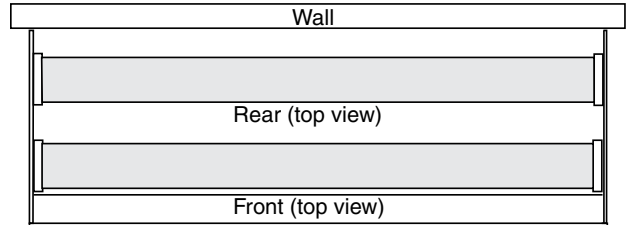
**Select Fabric Orientation\*\***

- Regular Roll (from back of roller)
- Reverse Roll (from front of roller)

\* IM Measure—Draper makes deductions for clearance within opening.  
OM Measure—No deduction made. Width shown will be overall dimension.

\*\* Reverse Roll is accomplished by having the installer switch the idler end and operator end roller attachment brackets from one endcap to the other (see installation instructions for details). However, Draper needs to know if you are planning to install in this configuration so we can ensure the proper side of the fabric is facing the window.

**Indicate shade fabric on rear roller. Front roller is the takeup roller for the lifting cables. Choose from the selection below, and refer to Shade Fabric Reference Sheet for colors and specifications.**



**Fabrics available:**

- Draper GreenScreen® Revive \_\_\_\_\_
- Draper SunBloc SB9000 \_\_\_\_\_
- Ferrari Soltis 99® \_\_\_\_\_
- Mermet Avila \_\_\_\_\_
- Mermet "E" Screen \_\_\_\_\_
- Mermet Flocké \_\_\_\_\_
- Mermet "M" Screen \_\_\_\_\_
- Mermet "S" Screen \_\_\_\_\_
- Mermet SilverScreen \_\_\_\_\_
- Mermet "T" Screen \_\_\_\_\_
- Mermet Vela \_\_\_\_\_
- Phifer SheerWeave® Basic \_\_\_\_\_
- Phifer SheerWeave® Infinity 2 \_\_\_\_\_
- Phifer SheerWeave® PW3500/4100/4400 \_\_\_\_\_
- Phifer SheerWeave® PW4500/4600 \_\_\_\_\_
- Phifer SheerWeave® PW4550/4650 \_\_\_\_\_
- Phifer SheerWeave® PW4700 \_\_\_\_\_
- Phifer SheerWeave® PW4800 \_\_\_\_\_
- Phifer SheerWeave® SW2000/2100 \_\_\_\_\_
- Phifer SheerWeave® SW2400/2500/2600/2900 \_\_\_\_\_
- Phifer SheerWeave® SW2701/2703/2705/2710 \_\_\_\_\_
- Phifer SheerWeave® SW3000 \_\_\_\_\_
- Phifer SheerWeave® SW5000 \_\_\_\_\_
- Phifer SheerWeave® SW7000 \_\_\_\_\_
- Phifer SheerWeave® SW7100 \_\_\_\_\_

**Please Note:**

**Bottom-up FlexShade is not recommended for inclined installation due to a tendency to sag in the fabric panel.**

*Continued*

PROJECT: _____
ARCHITECT: _____
CONTRACTOR: _____
SUPPLIER: _____
DATE: _____ REVISED: _____



**Specifications—Motorized Dual Roller FlexShade**

Two rollers mounted to a single set of endcaps, to accept fascia.

**Method of Operation**

**Standard 110-120V AC Electric Operator:** Drive unit inside roller, 4-wire, instantly reversible, lifetime lubricated. **Right hand motor location standard.** Left hand available. Adjustable limit switches, thermal overload protector and electric brake. Operates on 110-120V AC 1 PH 60 HZ current. Draws 1.1 Amps. For controls, see IntelliFlex® Controls Reference Sheet and IntelliFlex Controls Planning Sheet.

**Quiet 110-120V AC Electric Operator:** Drive unit inside roller, 4-wire, instantly reversible, lifetime lubricated. **Right hand motor location standard.** Left hand available. Adjustable limit switches, thermal overload protector and electric brake. Operates on 110-120V AC 1 PH 60 HZ current. Draws 1.1 Amps. Operates at or below sound level of 44 Db. For controls, see IntelliFlex® Controls Reference Sheet and IntelliFlex Controls Planning Sheet. Call Draper for size limitations when using quiet motors.

**Quiet 110-120V AC Radio Technology Electric Operator:** Drive unit inside roller, 3-wire, instantly reversible, lifetime lubricated. **Right hand motor location standard.** Left hand available. Built-in radio receiver. Limit switches adjustable using wall switch or remote control. Thermal overload protector and electric brake. Operates on 110-120V AC 1 PH 60 HZ current. Draws 1.1 Amps. Operates at or below sound level of 44 Db. Call Draper for size limitations when using quiet motors.

**110-120V AC ILT Electric Operator:** Drive unit inside roller, 3-wire, instantly reversible, lifetime lubricated. **Right hand motor location standard.** Left hand available. Built-in encoder and low voltage controller with data cable. Limit switches adjustable using wall switch or remote control. Thermal overload

protector and electric brake. Operates on 110-120V AC 1 PH 60 HZ current. Draws 1.1 Amps.

**110-120V AC ILT Quiet Electric Operator:** Drive unit inside roller, 3-wire, instantly reversible, lifetime lubricated. **Right hand motor location standard.** Left hand available. Built-in encoder and low voltage controller with data cable. Limit switches adjustable using wall switch or remote control. Thermal overload protector and electric brake. Operates on 110-120V AC 1 PH 60 HZ current. Draws 1.1 Amps. Operates at or below sound level of 44 Db. Call Draper for size limitations when using quiet motors.

**Hardware**

**Endcaps:** 1028 steel stamping. Complete with adapter roller bracket. Installs to wall or ceiling. Accepts fascia.

**Rollers:** Extruded aluminum or steel. Roller assembly easily removable.

**Roller Idler Assembly:** Type 6/6 injected molded nylon and a spring-loaded or sliding pin for easy installation and removal of the roller.

**Fascia:** L-shaped cover of extruded aluminum, .060 wall. Assembly snaps onto endcaps without exposed fasteners. **Clear Anodized (standard)**, black, white, ivory, or bronze powder coat finish available.

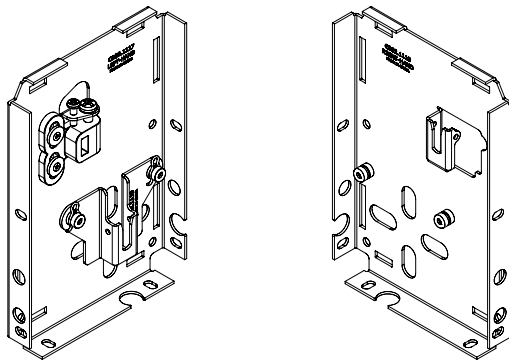
**Fabric Retainer:** ¼" OD .17" ID linear low-density polyethylene tubing, inside heat seamed hem.

**Hem-bar:** Machine extruded aluminum, finished to match fascia. **Clear Anodized (standard)**, black, white, ivory, or bronze powder coat finish available. Includes built-in pulley assemblies for lifting cables.

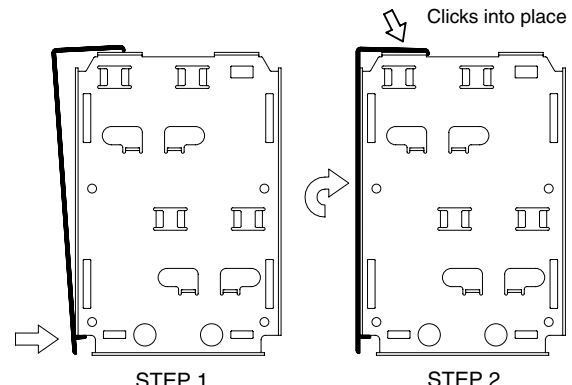
**Lifting Cable:** 0.046" OD 7x19 strand low-stretch high fatigue nylon-coated cable.

**Shade Fabrics:**

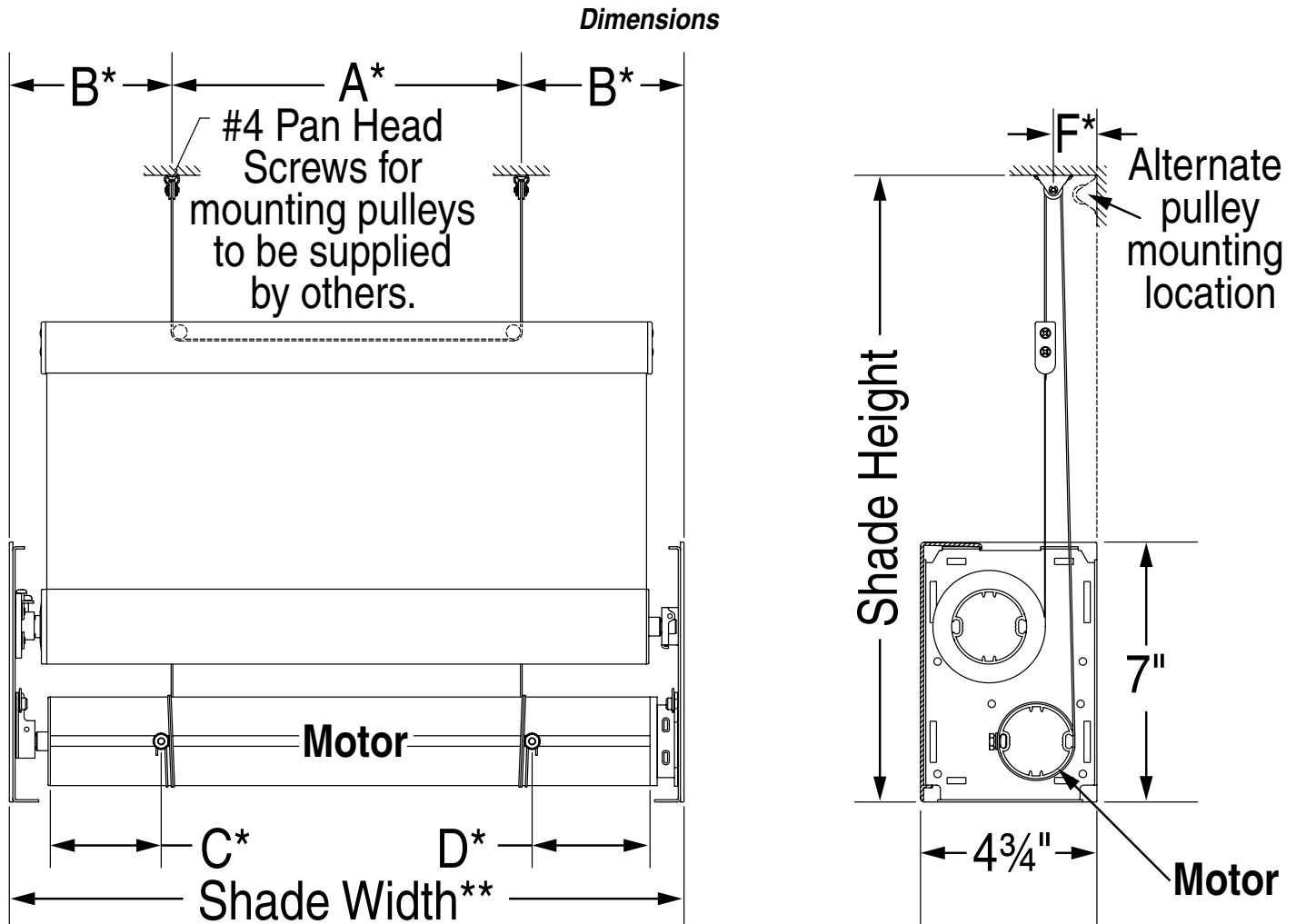
Please see Draper's Shade Fabric Reference Sheet for specifications.



Motorized Endcaps



Fascia Attachment

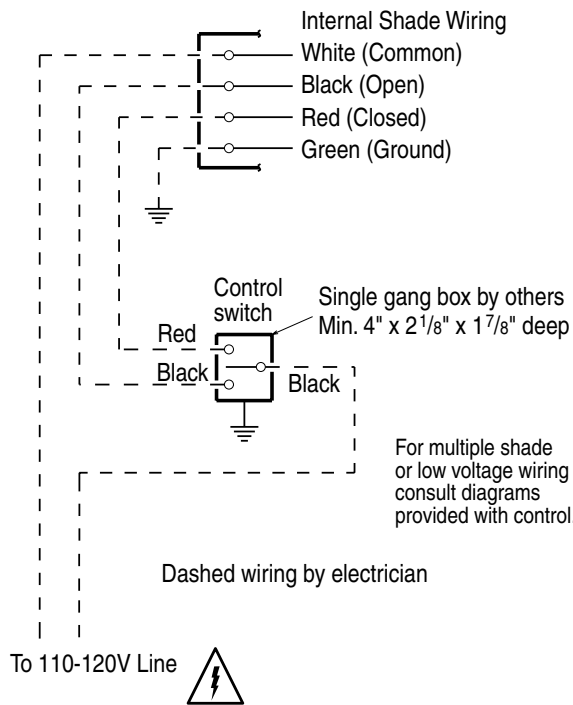


- \* These dimensions are different for each shade and are provided by Draper with your order.
- Dimension "A" is the vertical cable spacing.
- Dimension "B" is the distance from the vertical cable spacing to the vertical edge of the shade.
- Dimension "C" is the distance from the idler-end of the tube to the center of the cable attachment stud.
- Dimension "D" is the distance from the operator-end of the tube to the center of the cable attachment stud.
- Dimension "F" is the distance from the wall/jamb to the center of the cable pulley.

Shade Width = Fabric Width + A

Operator	Dim A
110-220V Standard/ILT	$1\frac{3}{4}''$
110-220V Quiet	$1\frac{15}{16}''$

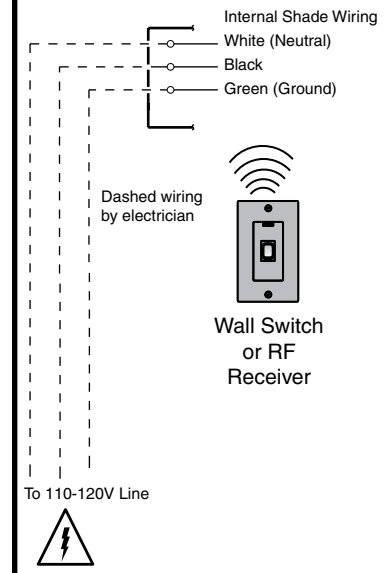
**110-120V Standard and Quiet Shade Wiring Diagram**



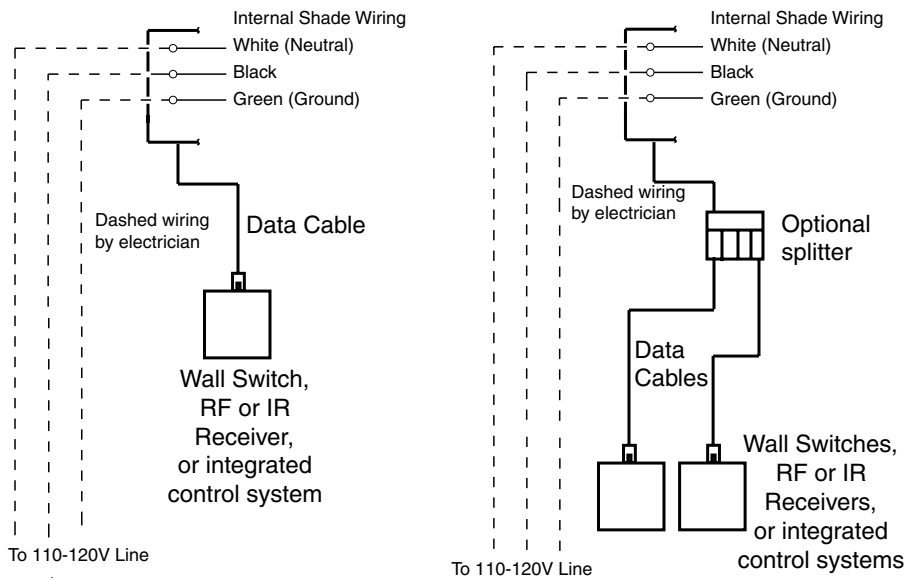
**NOTE: This wiring diagram is for standard right-hand motor placement and fabric from rear of roller. For left hand motor placement with fabric from rear of roller, Red becomes "Open" & Black becomes "Closed."**

**NOTE: Test shade operation. If shade direction does not correspond with the switch orientation, turn power back off then switch the red and black wires from the motor to the switch.**

**Radio Technology  
 110-120V Motors**



**110-120V ILT Standard and Quiet Shade Wiring Diagrams**  
 Single Low Voltage Control Multiple Low Voltage Controls



**Multiple ILT Motors**

