

Dual Roller Clutch Operated FlexShades®

Fabric & Hardware Planning Sheet for **FlexShade® CL** and **FlexShade® XD**

SUBMITTAL
TECHNICAL INFO

Please check all appropriate selections and attach room schedule with verified dimensions.

This document is to be used with the [Clutch Operated FlexShade Submittal](#) or the [Clutch Operated XD FlexShade Submittal](#).

On the diagram below, please provide the following information:

If Specifying a Coupled FlexShade, also indicate desired locations for couplers.

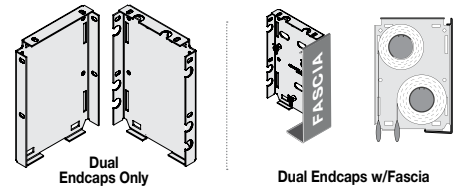
Rear Roller Fabric: _____ Color / Number: _____ Openness Factor: _____
*Please see Draper's Shade Fabric Reference Guide for fabric colors and specifications.
Front Roller Fabric: _____ Color / Number: _____ Openness Factor: _____
*Please see Draper's Shade Fabric Reference Guide for fabric colors and specifications.

Please Note: Shade fabrics can be placed anywhere in the headbox. Fabric or screen can be no closer than 13/16" to either end of the headbox.

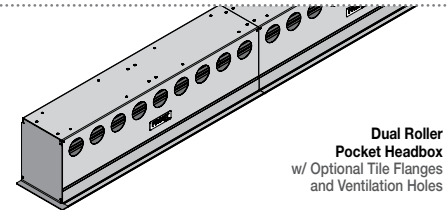
Select Dual Roller Hardware

All Hardware Dimensions available on page 2.

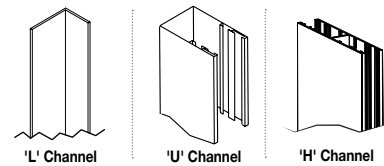
- Dual Endcaps Only
- Dual Endcaps with Fascia



- Dual Headbox
 - Pocket Headbox (Standard or Large; Sizes chosen by Draper)
 - Dual Pocket Headbox Tile Flange: Front (standard) Back Left Right None
 - Dual Pocket Headbox Ventilation Holes: Yes No (standard)
 - Pre-Drilled Shade Endcap Mounting Holes: Yes (standard) No
 - Pre-Drilled Pocket Headbox Mounting Holes: Yes No (standard)
 - Custom Headbox



- "L", "U" or "H" Channels for Light Gap Reduction
 - 'L' Channel
 - 'U' Channel
 - 'H' Channel
 - Channel Liners



Select Hardware Finish

Does not apply to Dual Roller Pocket Headbox

- Clear Anodized (standard)
- Black
- Ivory
- White
- Bronze
- Custom (Contact Draper)



PROJECT: _____

ARCHITECT: _____

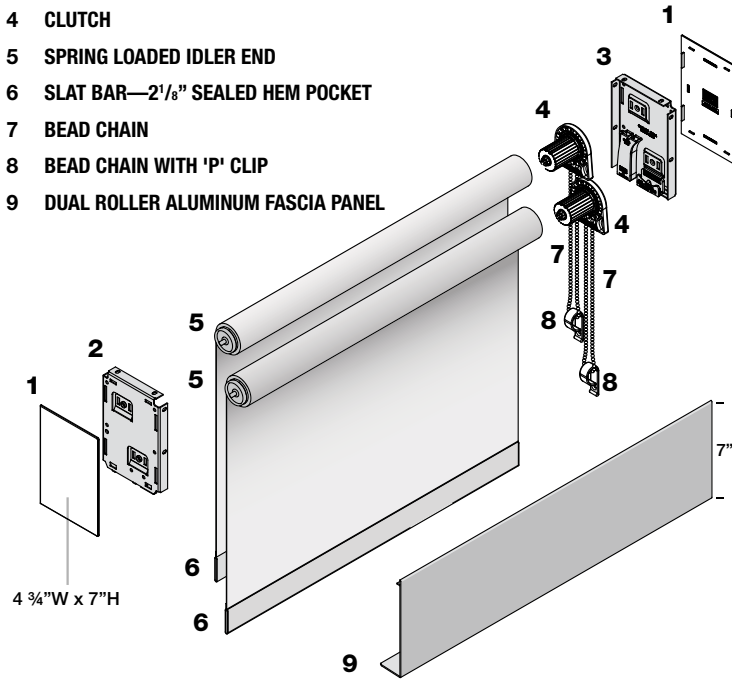
CONTRACTOR: _____

SUPPLIER: _____

DATE: _____ REVISED: _____

Dual Roller Clutch FlexShade Components

- 1 DUAL ENDCAP COVERS (WHITE)
- 2 DUAL ROLLER ENDCAP (IDLER)
- 3 DUAL ROLLER ENDCAP (CLUTCH)
- 4 CLUTCH
- 5 SPRING LOADED IDLER END
- 6 SLAT BAR—2 1/8" SEALED HEM POCKET
- 7 BEAD CHAIN
- 8 BEAD CHAIN WITH 'P' CLIP
- 9 DUAL ROLLER ALUMINUM FASCIA PANEL



Dual Roller Clutch Operated FlexShade Specifications
Two rollers mounted to a single set of endcaps, to accept fascia.

COMPONENTS SPECIFIC TO DUAL ROLLER CLUTCH OPERATED

DUAL ROLLER ENDCAPS: 1028 steel stamping. Complete with adapter roller bracket. Installs to wall or ceiling. Shades mount in vertical configuration (see drawings). Accepts Dual Roller Fascia.

DUAL FASCIA (FOR ENDCAPS): L-shaped cover of extruded aluminum, .060 wall. Assembly snaps onto endcaps without exposed fasteners. Clear Anodized (standard), black, white, ivory, or bronze powder coat finish available.

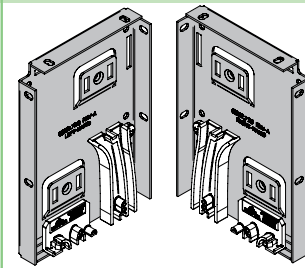
DUAL ROLLER POCKET STYLE HEADBOX: Headbox of 18 GA Steel, painted white on bottom and front. With or without aluminum ceiling tile lip. Removable aluminum bottom closure attaches without exposed fasteners. Available in stock lengths for installation ahead of shades and screen.

Patent information available at <http://www.draperinc.com/legal/patents/>
Downloadable 3-part specifications are available at www.draperinc.com.

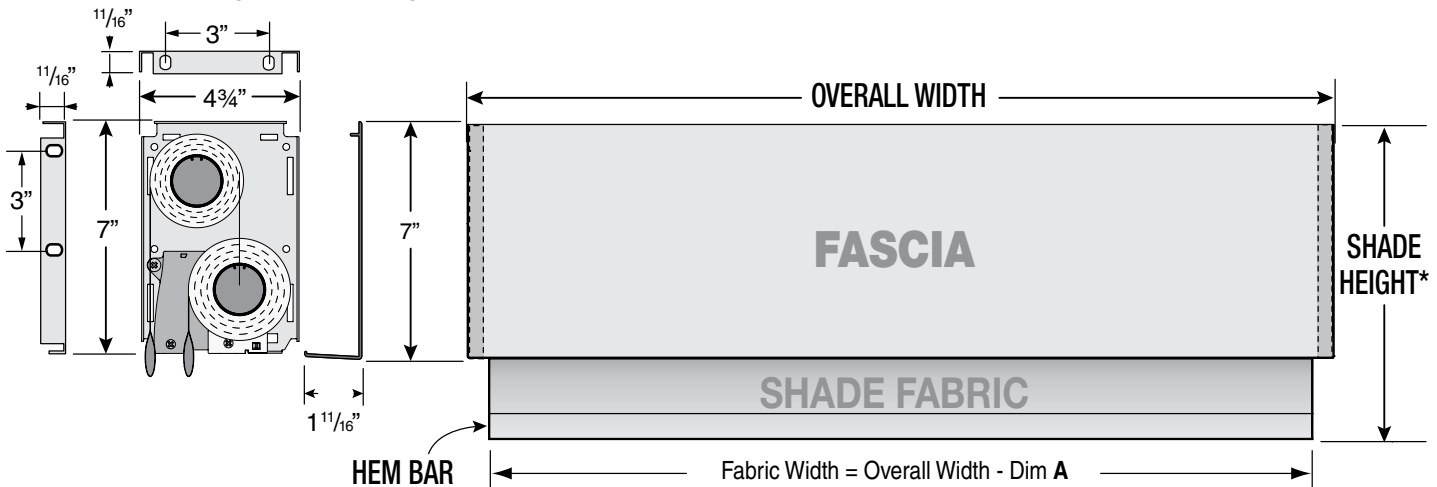
Please note:

Dimensions of rollers, operators and hardware at manufacturer's discretion.

Dual Roller Clutch Operated Endcaps

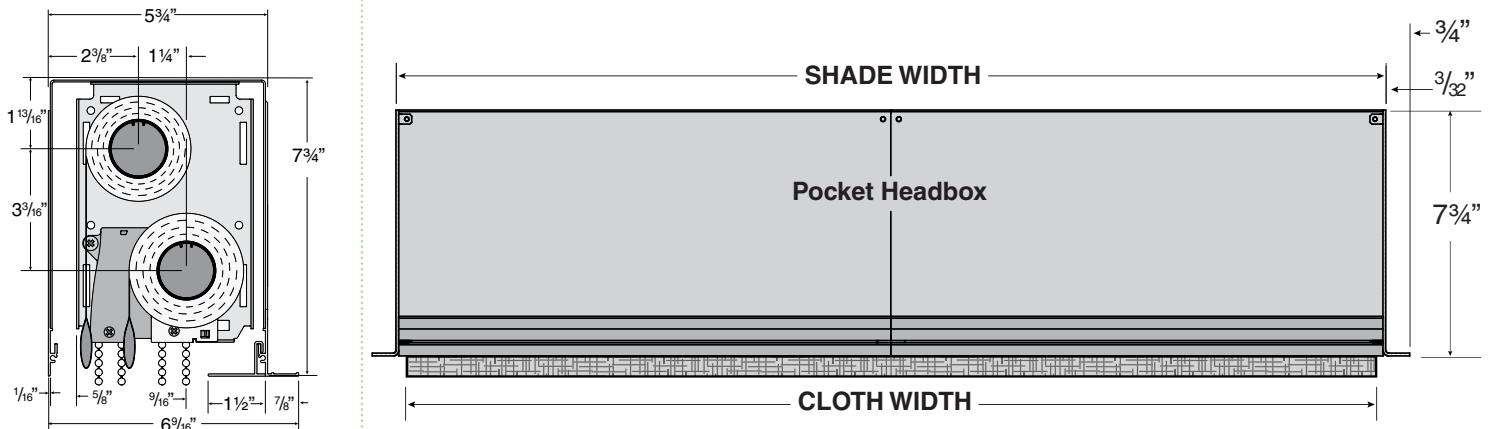


Dual Roller Clutch Operated Endcap & Fascia Dimensions



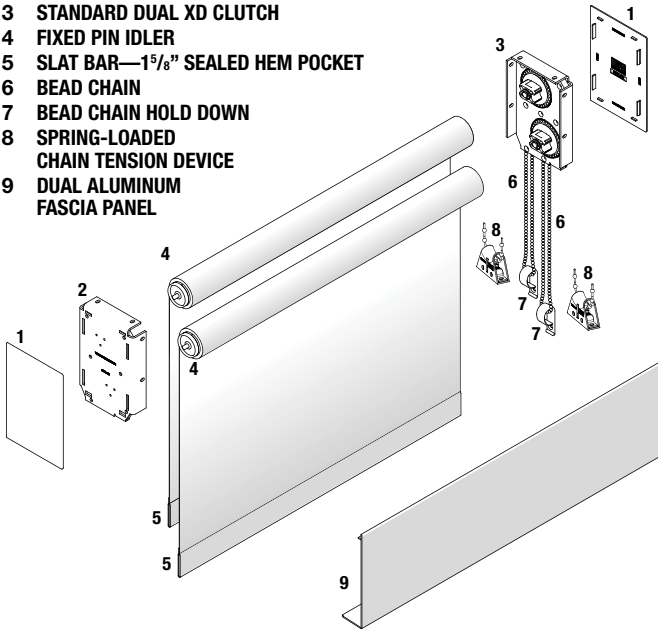
*When measuring shade height, remember to include Endcaps & Fascia.

Dual Roller Clutch Operated Pocket Headbox Dimensions



Dual Roller XD Components

- 1 STANDARD DUAL PLASTIC ENDCAP COVER
- 2 STANDARD DUAL ENDCAP
- 3 STANDARD DUAL XD CLUTCH
- 4 FIXED PIN IDLER
- 5 SLAT BAR—1 5/8" SEALED HEM POCKET
- 6 BEAD CHAIN
- 7 BEAD CHAIN HOLD DOWN
- 8 SPRING-LOADED CHAIN TENSION DEVICE
- 9 DUAL ALUMINUM FASCIA PANEL



Dual Roller Clutch Operated FlexShade XD

Two rollers mounted to a single set of endcaps, to accept fascia.

COMPONENTS SPECIFIC TO DUAL ROLLER CLUTCH OPERATED XD

DUAL ROLLER XD CLUTCH OPERATOR (VERTICAL): POM thermoplastic with welded 9 mm (.354") primary steel post with rotational bearing to ensure smooth and quiet operation. Overrunning design. Positive mechanical engagement of drive mechanism to tube. White (standard) or black color options. Stainless steel (standard) bead chain, or polyester control loop. Polyester chain in ivory, black or grey.

DUAL ROLLER ENDCAPS (VERTICAL): 1028 steel stamping. Complete with adapter roller bracket. Installs to wall or ceiling. Shades mount in vertical configuration (see drawings). Accepts Dual Roller XD Fascia.

FASCIA (FOR ENDCAPS): L-shaped cover of extruded aluminum, .060 wall. Assembly snaps onto endcaps without exposed fasteners. Clear Anodized (standard), black, white, ivory, or bronze powder coat finish available.

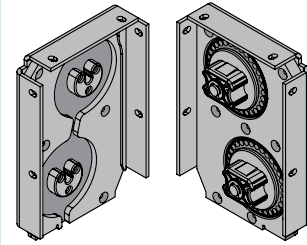
POCKET STYLE HEADBOX: Headbox of 18 GA Steel, painted white on bottom and front. With or without aluminum ceiling tile lip. Removable aluminum bottom closure attaches without exposed fasteners. Available in stock lengths for installation ahead of shades and screen.

Patent information available at <http://www.draperinc.com/legal/patents/>
Downloadable 3-part specifications are available at www.draperinc.com.

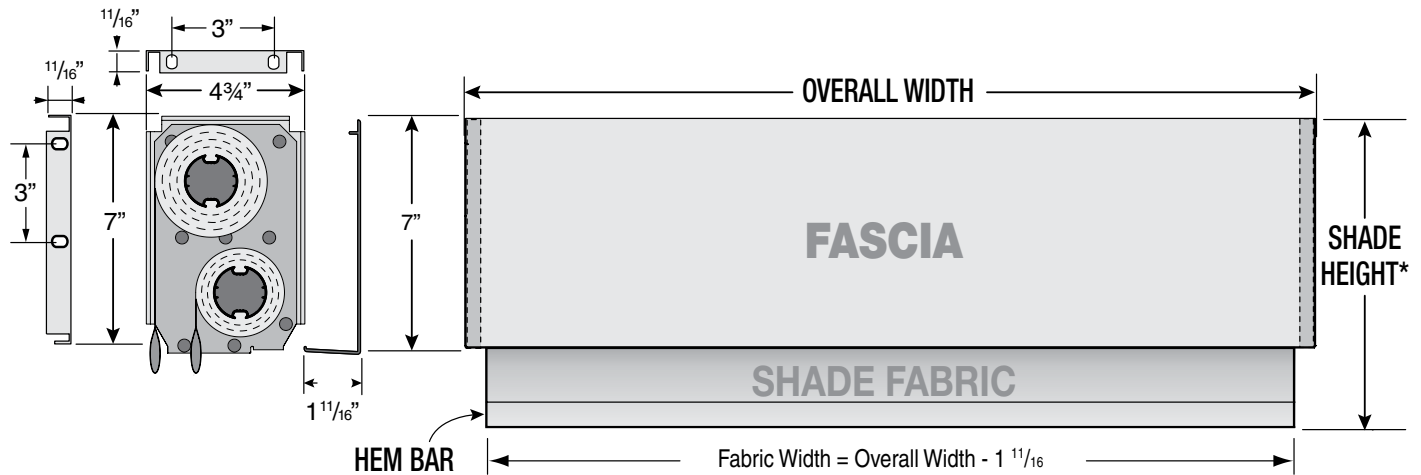
Please note:

Dimensions of rollers, operators and hardware at manufacturer's discretion.

Dual Roller Clutch Operated XD Endcaps

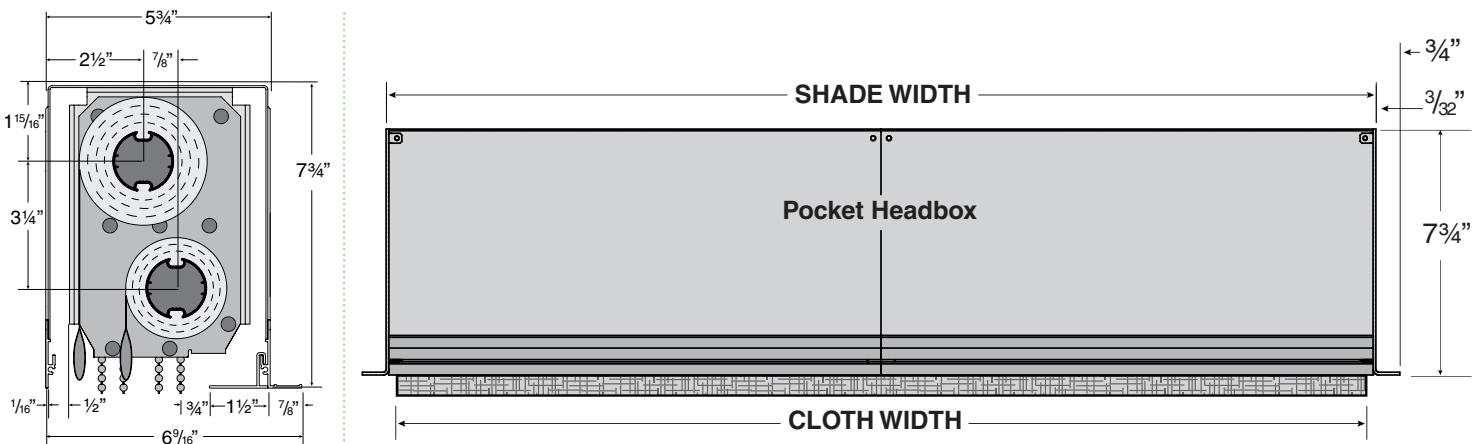


Dual Roller Clutch Operated XD Endcap & Fascia Dimensions



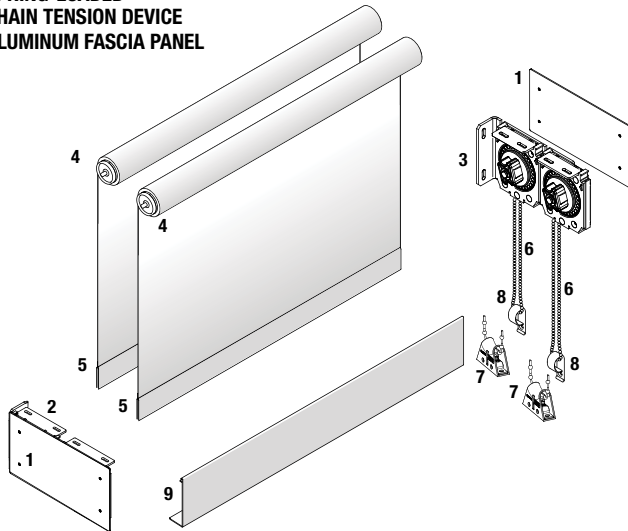
*When measuring shade height, remember to include Endcaps & Fascia.

Dual Roller Clutch Operated Pocket Headbox Dimensions



Dual Roller Horizontal XD Components

- 1 HORIZONTAL DUAL PLASTIC ENDCAP COVER
- 2 HORIZONTAL DUAL ENDCAP
- 3 HORIZONTAL DUAL XD CLUTCH
- 4 FIXED PIN IDLER
- 5 SLAT BAR—1⁵/₈" SEALED HEM POCKET
- 6 BEAD CHAIN
- 7 BEAD CHAIN HOLD DOWN
- 8 SPRING-LOADED CHAIN TENSION DEVICE
- 9 ALUMINUM FASCIA PANEL



COMPONENTS SPECIFIC TO HORIZONTAL DUAL ROLLER XD

DUAL ROLLER HORIZONTAL CLUTCH FLEXSHADE XD OPERATOR: POM thermo-plastic with welded 9 mm (.354") primary steel post with rotational bearing to ensure smooth and quiet operation. Overrunning design. Positive mechanical engagement of drive mechanism to tube. White (standard) or black color options. Stainless steel (standard) bead chain, or polyester control loop. Polyester chain in ivory, black or grey.

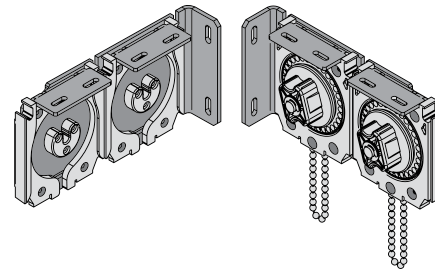
DUAL ROLLER HORIZONTAL CLUTCH FLEXSHADE XD BRACKET: 1028 steel stamping. Complete with adapter roller bracket. Installs to wall. Shades mount in horizontal configuration (see drawings). Accepts standard XD fascia.

Patent information available at <http://www.draperinc.com/legal/patents/>
Downloadable 3-part specifications are available at www.draperinc.com.

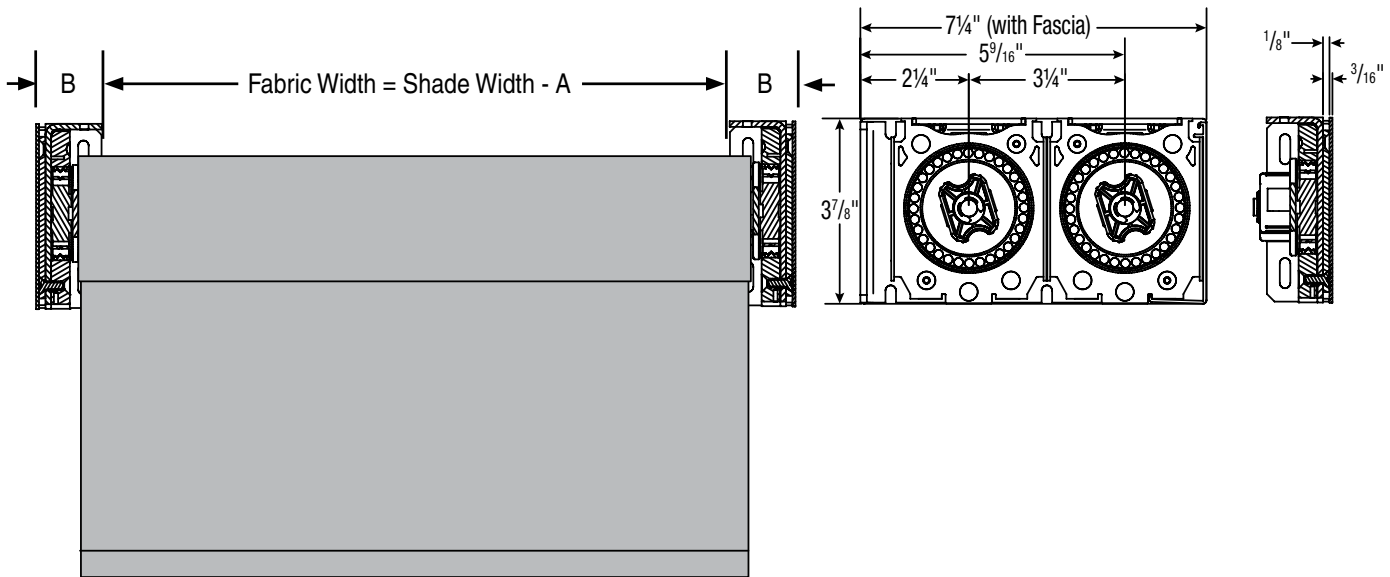
Please note:

Dimensions of rollers, operators and hardware at manufacturer's discretion.

Dual Roller Horizontal Clutch Operated XD Endcaps



Dual Roller Clutch Horizontal Operated XD - Endcap & Fascia Dimensions



Product	Dim A	Dim B
1.56" Roller With Bracket Covers	1 ⁷ / ₈ "	15/16"
1.56" Roller Without Bracket Covers	1 ³ / ₄ "	7/8"
2" Roller With Bracket Covers	2"	1"
2" Roller Without Bracket Covers	1 ⁷ / ₈ "	15/16"
2" Roller, Spring Assist With Bracket Covers	2"	1"
2" Roller, Spring Assist Without Bracket Covers	1 ⁷ / ₈ "	15/16"