

FlexShade® ZIP—Crank

Wind resistant exterior shade with side channels

Please check all appropriate selections and attach room schedule with verified dimensions.

Fabric Series: _____

Color Name / Number: _____

Openness Factor: _____

Please see Draper's Fabric Options for fabric colors and specifications.

Select Hardware

Select Headbox Style

- Square (standard)
- Curved
- Angled
- Pocket
- 127 (large)
- 127 (large)
- 127 (large)
- 127 (large)
- 92 (small)
- 92 (small)
- 92 (small)
- 92 (small)

Select Hardware Finish

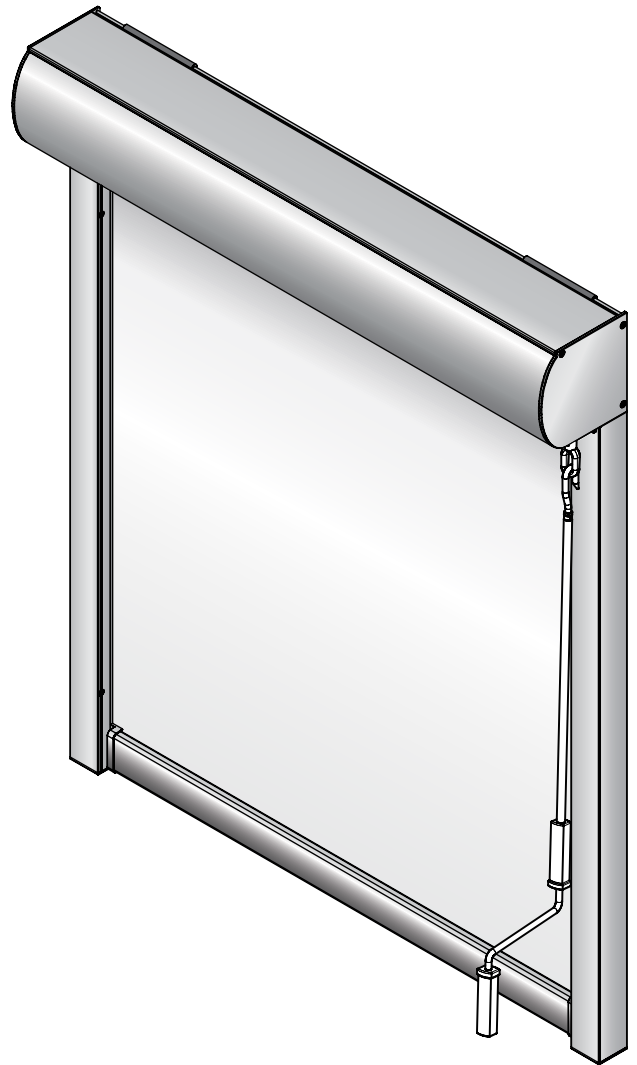
- Black
- Bronze
- Ivory
- White
- Sand
- Silver

Select Zipper Color

- Black (standard)
- Grey

Select Crank Location

- Right Side (head/sill, jamb/jamb)
- Left Side (overlap opening)



Available Sizes

| | WIDTH | | | | | | | | | |
|-------------|--------------|--------------|---------------|---------------|---------------|---------------|---------------|---------------|----------------|--|
| | 2' (61cm) | 3' (91cm) | 4' (122cm) | 5' (152cm) | 6' (183cm) | 7' (213cm) | 8' (244cm) | 9' (274cm) | 10' (305cm) | |
| HEIGHT | | | | | | | | | | |
| 2' (61cm) | | | | | | | | | | |
| 3' (91cm) | | | | | | | | | | |
| 4' (122cm) | | | | | | | | | | |
| 5' (152cm) | | | | | | | | | | |
| 6' (183cm) | | | | | | | | | | |
| 7' (213cm) | | | | | | | | | | |
| 8' (244cm) | | | | | | | | | | |
| 9' (274cm) | | | | | | | | | | |
| 10' (305cm) | | | | | | | | | | |

Sizes requiring large endcaps/brackets will vary according to fabric.



Draper, Inc. | 411 S. Pearl St. Spiceland, IN 47385
draperinc.com | 765.987.7999 | 800.238.7999

© 2021 All Rights Reserved | FORM: FS_ZIP-Crank_Sub20

PROJECT: _____

ARCHITECT: _____

CONTRACTOR: _____

SUPPLIER: _____

DATE: _____ REVISED: _____

Specifications

CRANK OPERATOR:

Bi-directional to mount at either end of roller. Never needs lubrication or adjustment. Crank handle assembly of powder coated and chromed steel, up to 6' (183 cm) in length, and detachable.

HARDWARE:

ROLLERS: 2.364" (60 mm) dia. or 3.07" (78 mm) dia. with 0.049" (1.245 mm) wall; steel with galvalum coating.

HEADBOX: Two-piece extruded aluminum headbox. Small size (92) shall be 3 5/8" (92 mm) tall x 3 5/8" (92 mm) deep. Large size (127) shall be 5" (127 mm) tall x 5" (127 mm) deep. Silver, black, white, ivory, sand, or bronze powder coat finish.

FABRIC: Fabric panel to incorporate pockets at the top and bottom to allow connection to the roller tube and to the hem bar. 'Zip' detail welded to the two vertical sides of the fabric panel.

HEM BAR: Aluminum, with steel weight to reduce fabric movement. Color to match headbox.

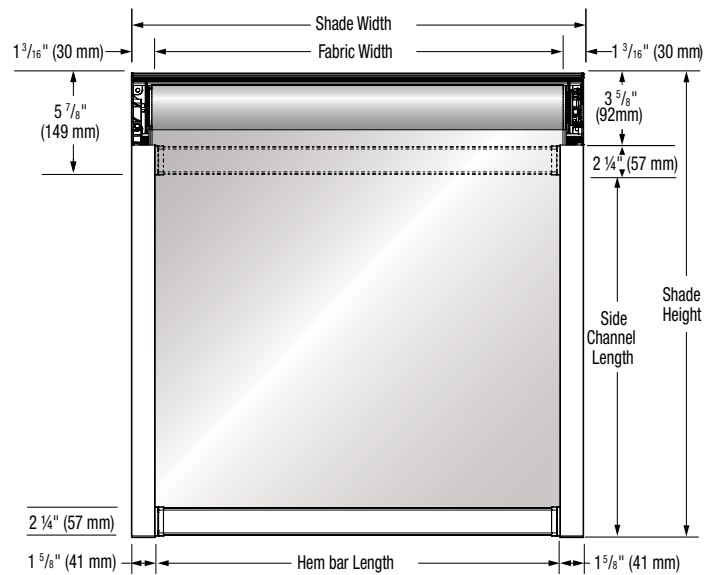
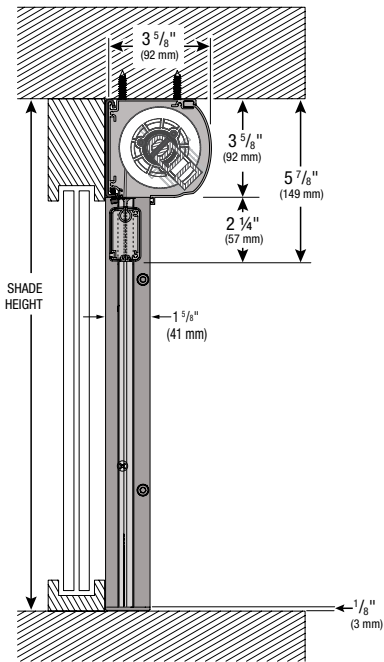
SIDE CHANNELS/FABRIC RETENTION SYSTEM: Extruded aluminum side channel incorporate plastic inner channels. Plastic inner channels held inside the extrusion by cushioning pads that also dampen the movement of the fabric panel under wind load. 'Zip' details on the edges of the fabric panel run in the inner channels to retain the fabric in place.

Downloadable 3-part specifications are available at www.draperinc.com.

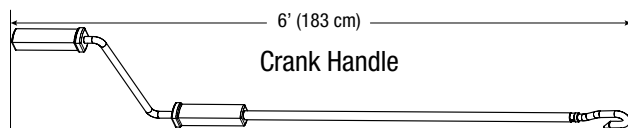
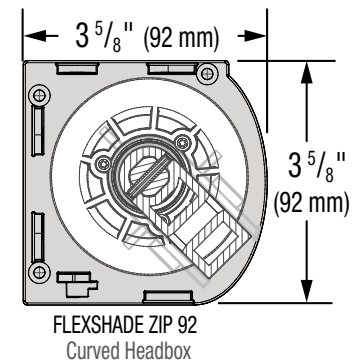
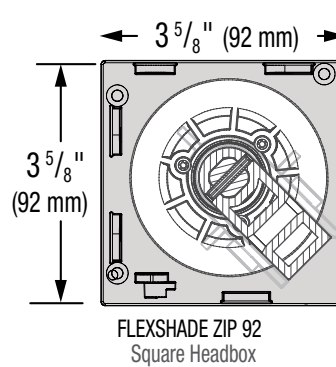
Please note:

Dimensions of rollers, operators, and hardware at manufacturer's discretion.

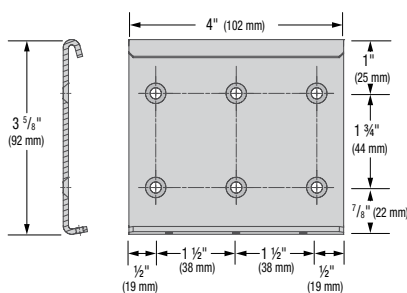
Dimensions



Headbox Styles

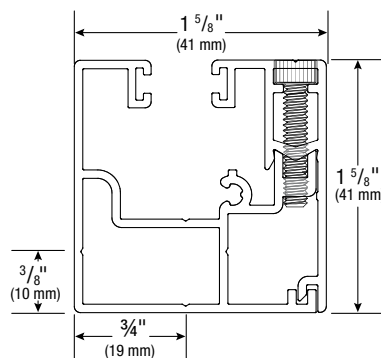


ZIP 92 Wall Mounting Bracket



NOTE: Mounting brackets attach to surface with #10 Flat Head Screw

Side Channel Dimensions



Hem Bar Dimensions

