

FlexShade® ZIP 92 & ZIP 127

Exterior shading system, ZIP detail creates weather/shading barrier protects against wind, sun, snow, and insects to maintain a comfortable space



SUBMITTAL TECHNICAL INFO

Please check all appropriate selections and attach room schedule with verified dimensions.

Fabric Series: _____

Color Name / Number: _____

Openness Factor: _____

Please see [Draper® Fabric Options](#) for fabric colors and specifications.

Select Hardware

Select Headbox Style

- Square (standard)
 - 127 (large) 92 (small)
- Curved
 - 127 (large) 92 (small)
- Angled (127 only)
- Pocket
 - 127 (large) 92 (small)

Select Headbox Bracket Type

- Wall
- Ceiling

Select Hardware Finish

- Black
- Bronze
- Ivory
- White
- Sand
- Silver

Select Zipper Color

- Black (standard)
- Grey

Select Cable Exit Location

Please Note: For cable exit information, see installation instructions.

- None (standard)
- Top
- Side
- Back

Select Liner Options

- Headbox
- Side Channel

Select Channel Type

- Standard Channel
- Recessed Channel

Select Channel Adaptors (see p.4)

- C073.002 Qty: _____
- C090.053 Qty: _____
- C090.054 Qty: _____
- C104.148 Qty: _____

Select Operator and Controls

Select Motor Location (front view)

- Right (standard)
- Left

Select 120V AC Operator

- Sonesse® RTS (standard)
- Sonesse® 120V Motor

Select Interior Control Options

- RTS
- Wireless Wall Switch
 - Decora RTS 1-Channel
 - White (standard)
 - Ivory
 - Decora RTS 5 Channel
 - White (standard)
 - Ivory

Select Exterior Control Options

- Telis 1 Patio Exterior Remote
- Telis 4 Patio Exterior Remote
- 1 Channel Soliris Patio Remote
- 4 Channel Soliris Patio Remote

Select Exterior Sensors

- Ondeis WireFree Rain/Sun Sensor
- Sunis Outdoor WireFree Sun Sensor
- Eolis-RTS Wind Sensor
- Soliris-RTS Wind/Sun Sensor

FlexShade® ZIP 92 Available Sizes:

		WIDTH			
		4' (122cm)	5' (152cm)	6' (183cm)	7' (213cm)
HEIGHT	4' (122cm)				
	5' (152cm)				
	6' (183cm)				
	7' (213cm)				

FlexShade® ZIP 127 Available Sizes:

		WIDTH													
		4' (122cm)	5' (152cm)	6' (183cm)	7' (213cm)	8' (244cm)	9' (274cm)	10' (305cm)	11' (335cm)	12' (366cm)	13' (396cm)	14' (427cm)	15' (457cm)	16' (488cm)	
HEIGHT	2' (61cm)														
	3' (91cm)														
	4' (122cm)														
	5' (152cm)														
	6' (183cm)														
	7' (213cm)														
	8' (244cm)														
	9' (274cm)														
	10' (305cm)														
	11' (335cm)														
	12' (366cm)														
	13' (396cm)														
	14' (427cm)														
	15' (457cm)														
	16' (488cm)														



PROJECT: _____

ARCHITECT: _____

CONTRACTOR: _____

SUPPLIER: _____

DATE: _____ **REVISED:** _____

Specifications

EXTERIOR MOTORIZED SHADING SYSTEM: Electrically operated, motorized, vertical roll-up, fabric shading system. Assembly includes motor operator, controls, mounting hardware and other components necessary for complete installation.

ELECTRIC OPERATOR: Tubular motor concealed inside shade roller tube.
LOCATION: Right hand: standard; Left hand: as scheduled.

STANDARD MOTOR: Radio Technology Motor: 110-120V AC, single-phase, 60 Hz, instantly reversible, lifetime lubricated motor with built-in radio receiver, equipped with internal thermal overload protector, electric brake, and pre-set accessible limit switches. (Compatible with Wireless Radio Technology Controls.)

OPTIONAL WIRED MOTOR: 110-120V AC, single-phase, 60 Hz, instantly reversible, lifetime lubricated, and equipped with internal thermal overload protector, electric brake, and pre-set accessible limit switches.

HEADBOX: Cassette-style extruded aluminum sections.
 5" x 5" (127 mm x 127 mm) or 3 5/8" (92 mm) by length required for shade being provided.

CRADLE SYSTEM: Extrusion supports entire roller using cradle system to reduce roller deflection.

SHAPE: Angled, Curved.

FINISH: Silver, black, sand, white, ivory, or bronze powder coat.

ROLLER: 2.364 inch (60 mm) outside diameter (at manufacturer's discretion); aluminum. Roller assembly is integrated with floating bracketry.

ROLLER IDLER ASSEMBLY: Plastic idler end roller insert fits over steel pin and rotates on pin with use of sealed bearing. Steel pin connects to bearing mounted to bracket mounted inside the headbox. Systems not using sealed bearings are not acceptable.

FABRIC CONNECTION TO ROLLER TUBE: Fabric panel to incorporate spline attachment at the top and hem pocket at the bottom to allow connection to the hem bar.

HEM BAR: Weighted aluminum. Optional bottom liners.

HEM BAR CONTAINMENT:

SIDE CHANNELS: Extruded aluminum guide cable attachment.

SIZE: 1 5/8" x 1 5/8" (41 mm x 41 mm)

FINISH: Silver, black, sand, white, ivory, or bronze powder coat.

ENDCAPS: Aluminum end brackets with integral lugs for mounting of head box to side channels. Provide size compatible with headbox size.

SIDE CHANNELS: 1 5/8" (41 mm) wide integrated side guide channels. Double chamber, 2-piece fabricated from 0.06 inch (1.5 mm) thick extruded aluminum sections. One chamber accepts zipper retainer in which the zipper edge rides. Other chamber allows for mounting.

ZIPPER RETAINER: Gray plastic with funnel at top for fabric guiding, cushions are placed in retainer to reduce movement in channel and adjust for fabric shrink.

CHANNEL COVERS: Injected molded nylon insert to cover bottom of side channels.

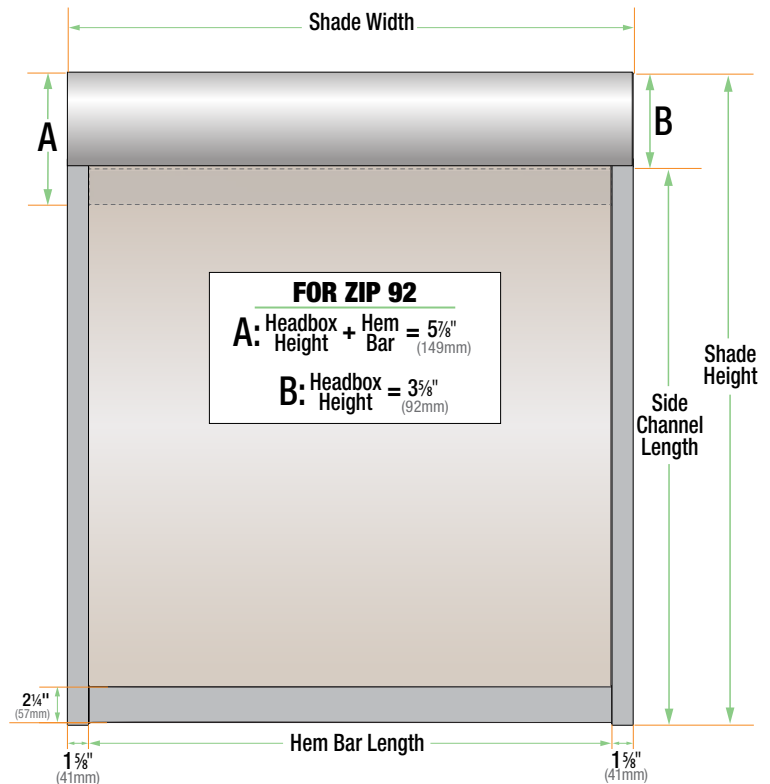
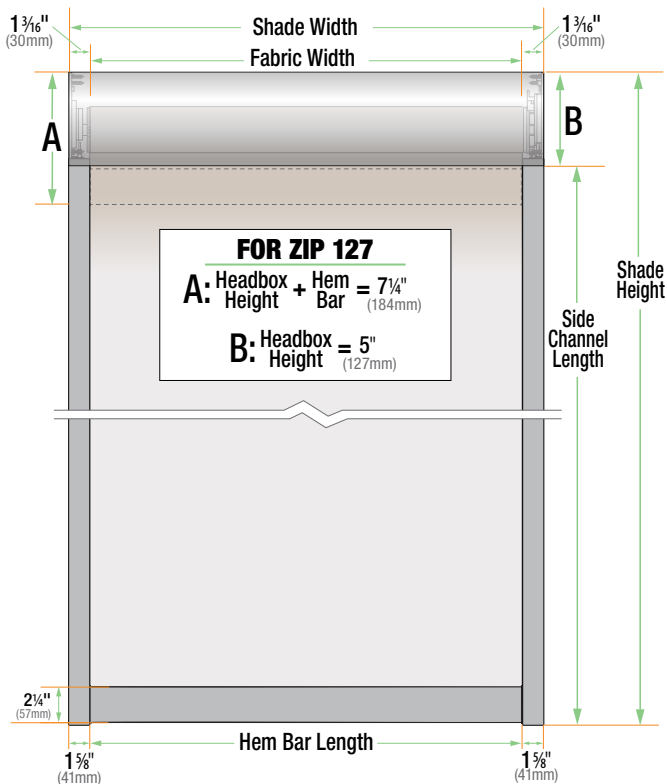
ZIPPER: Zipper is to be heat welded to the edges of fabric. The zipper prevents the fabric from being pulled out of the side channel, and makes the product very wind resistant.

PATENT INFORMATION: <http://www.draperinc.com/legal/patents>

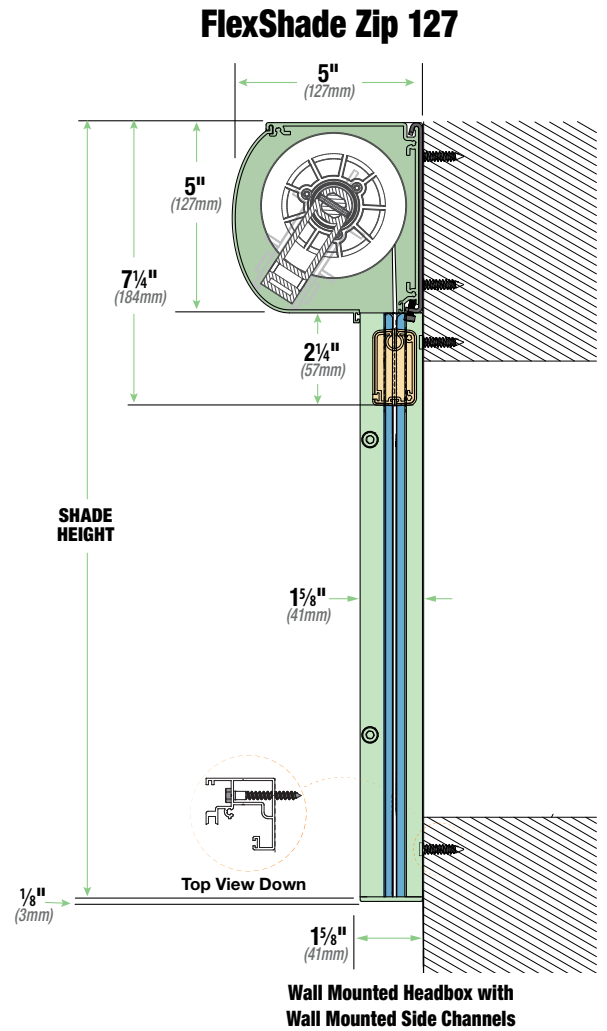
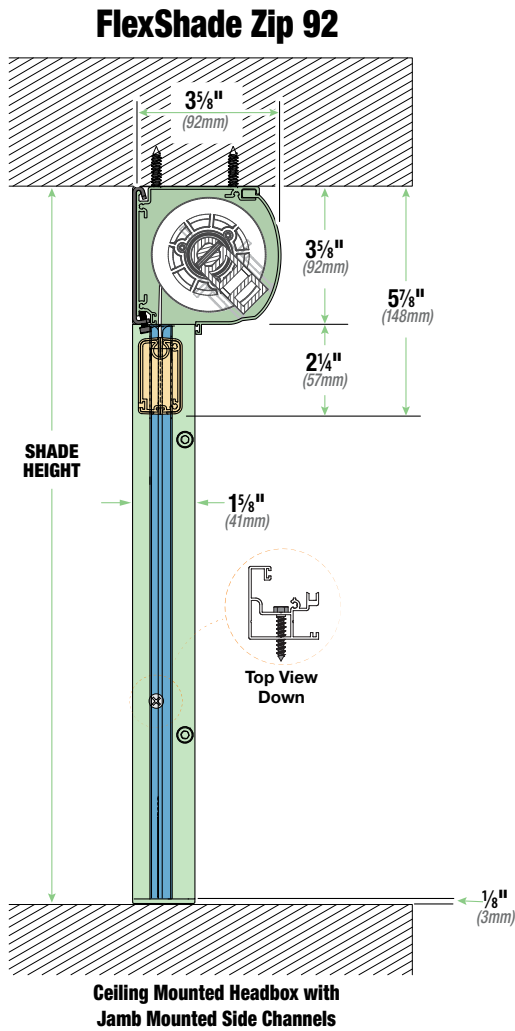
DOWNLOADABLE 3-PART SPECIFICATIONS: www.draperinc.com.

Please note: Dimensions of rollers, operators, and hardware at manufacturer's discretion.

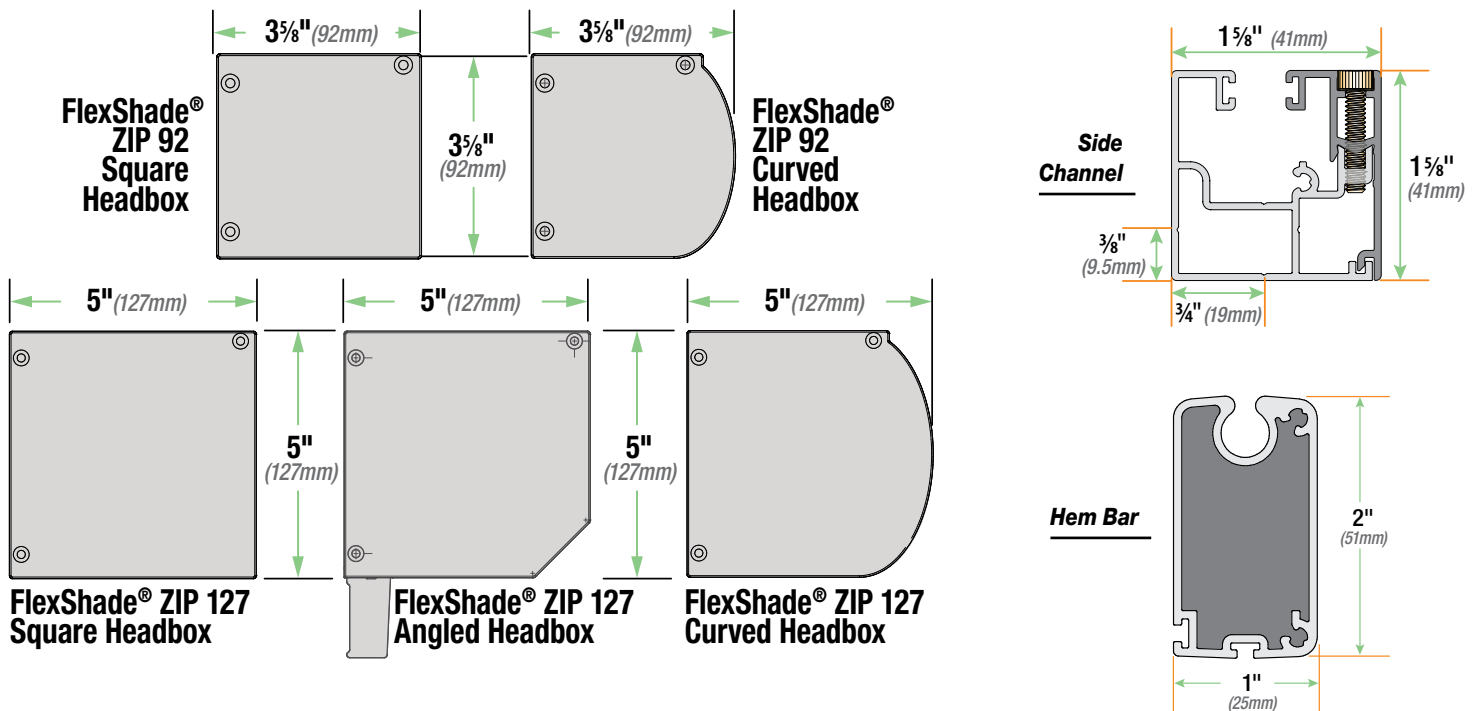
Dimensions



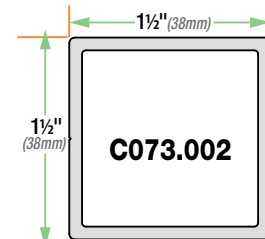
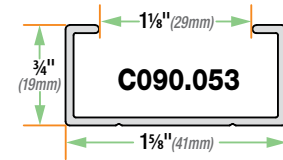
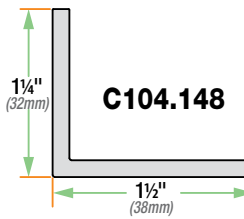
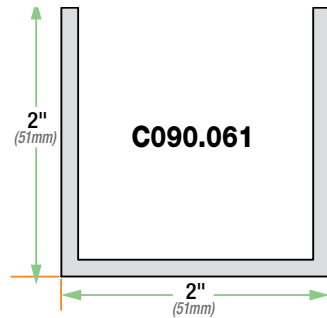
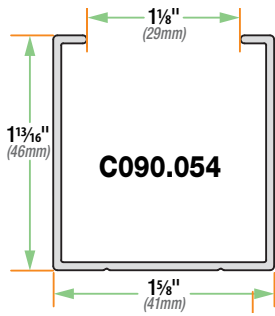
Assembled Dimensions: Side View



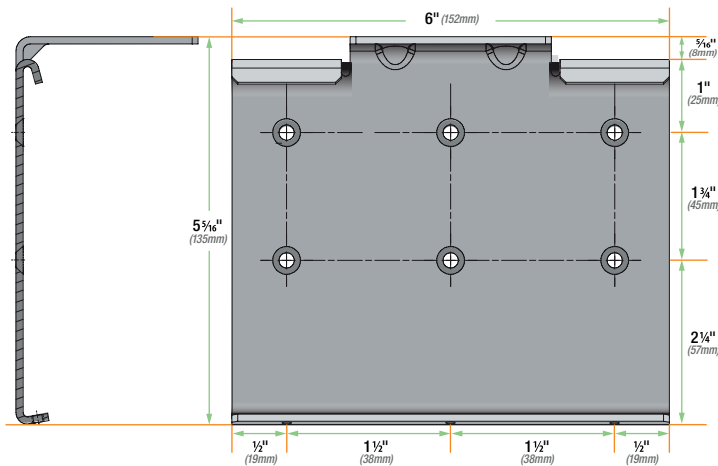
Component Dimensions



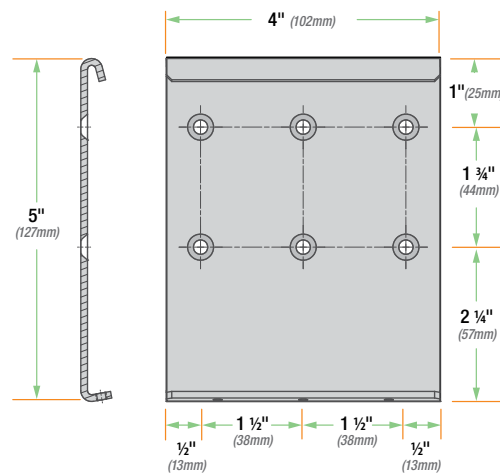
Optional Channel Adaptors



Ceiling Mounting Bracket (ZIP 127 only)



Wall Mounting Bracket



Hem Bar Liners

Please Note:
 Liner is factory installed (if ordered).

C037.002:
 .140" (3.6mm)
 height liner

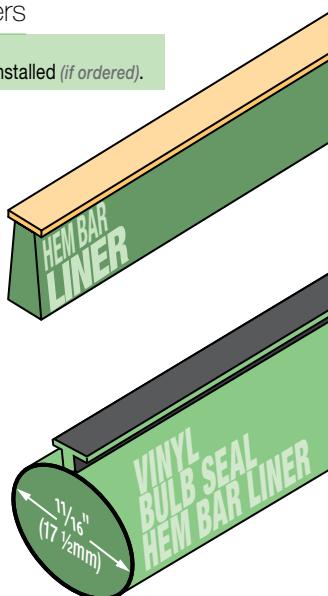
C037.003:
 .310" (7.9mm)
 height liner

C037.004:
 .450" (11.4mm)
 height liner

C037.015:
 1" (25mm)
 height liner

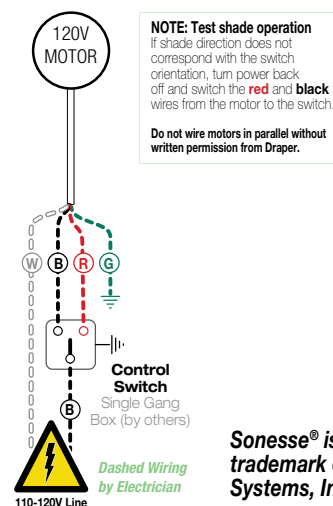
C037.024:
 1.5" (38mm)
 height liner

C086.011:
 Vinyl bulb seal

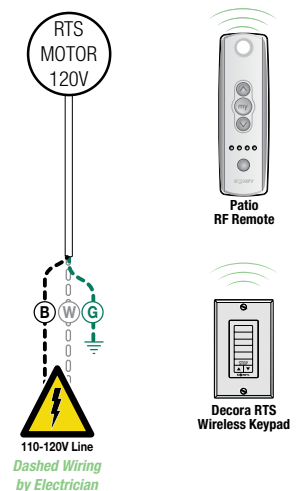


Wiring Diagrams

Controls & System Overview Sonesse® 120VAC Motors



Controls & System Overview Sonesse® RTS 120VAC Motors



Sonesse® is a registered trademark of Somfy® Systems, Inc.