

Crank Operated FlexShade

by **DRAPER**

Please check all appropriate selections and attach room schedule with verified dimensions.

Select Handle

- Specify handle length (6' max.) _____
Or, list sill ht. or ht. of unit off floor for proper handle length _____
- Fixed Handle (6' max.) (one per unit)
 - Detachable Handle (6' max.)
 - Heavy Duty handle (10' max)
 - Two Piece Handle
- Specify # of handles per job _____

For Multiple Panels, Select Roller Installation:

- Standard
- Coupled

Select Operator Location

Select **right side (standard)** or left side as seen from inside the room, facing the window. Also indicate selection on room schedule.

- Right Side (standard)
- Left Side

Select Hardware

- Endcaps only
- Optional Square Fascia with Endcaps
- Optional Reverse Roll Fascia with Endcaps (Square only)
- Optional Headbox
 - Ceiling/Wall
 - Pocket Style
- Optional Type "D" Pocket with Tile Lip
- Optional Type "D" Dual Pocket with Tile Lip
- Optional Channels for Light Gap Reduction
 - 3/4" x 1" x 12'3" "L" Channels (Or Indicate Cut Length: _____)
 - 1" x 2 3/4" x 16" "L" Channels (Or Indicate Cut Length: _____)

Select Hardware Finish

- Clear Anodized (standard)
- Black
- White
- Ivory
- Bronze

Select Fabric Orientation

- Regular Roll (from back of roller)
- Reverse Roll (from front of roller)

Select Installation Option

- Inside (head/sill, jamb/jamb)
- Outside (overlap opening)
- Do any units abut at mullions? Which?
- Do any units install in pocket at ceiling? Which?

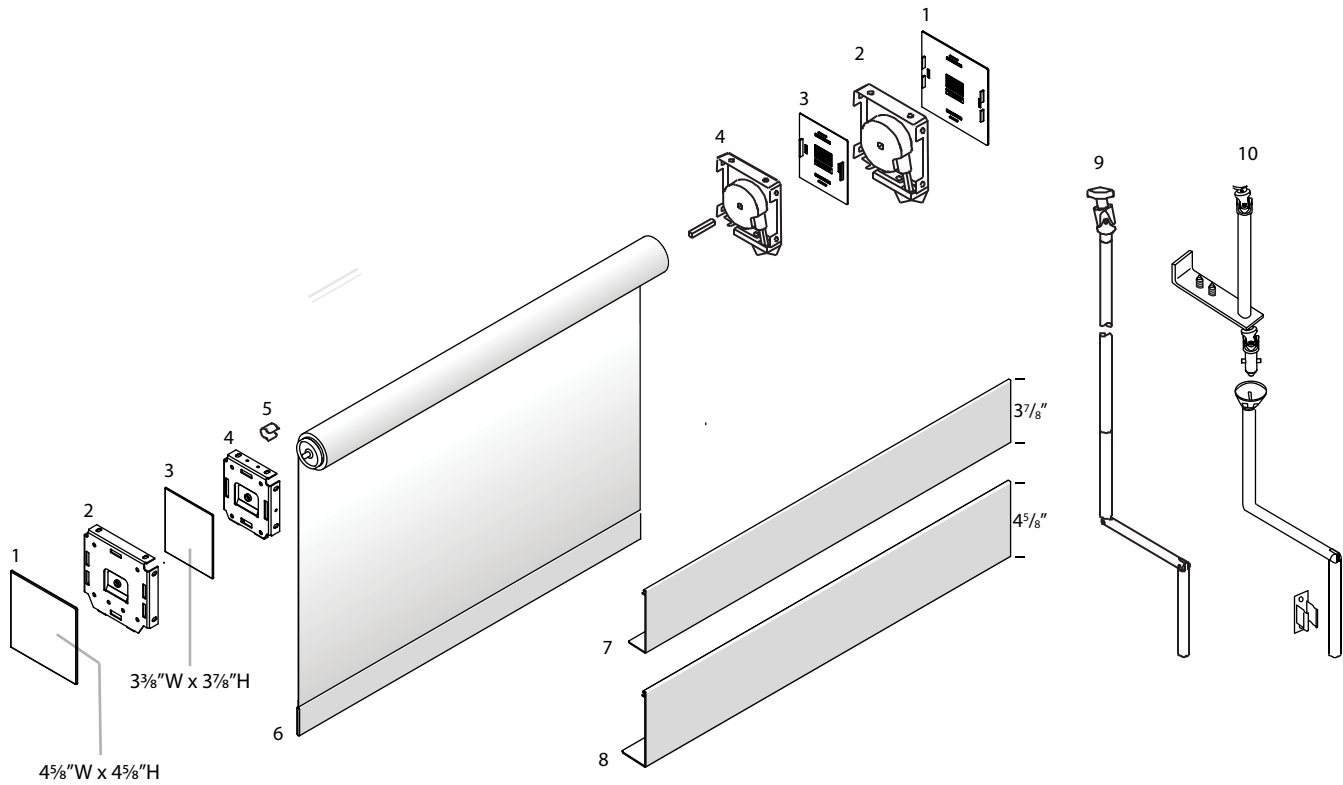
For product drawing, see page 2.

For specifications, see page 3.

For dimensions, see page 4.

PROJECT: _____
ARCHITECT: _____
CONTRACTOR: _____
SUPPLIER: _____
DATE: _____ REVISED: _____

DRAPER



Components

- | | | |
|-------------------------------|---|---|
| 1. Large Plastic Endcap Cover | 6. Hem Pocket with $\frac{13}{16}$ " Dowel | 10. 2-Piece crank handle available for shades 14' or more above floor |
| 2. Large Endcap | 7. Aluminum Fascia Panel (square or radius) | |
| 3. Small Plastic Endcap Cover | 8. Large Aluminum Fascia Panel | |
| 4. Small Endcap | 9. Removeable Crank | |
| 5. Idler End Retainer Clip | | |

Specifications-Crank Operated FlexShades Equipment

Crank Operator: Gear box, of die cast aluminum and steel, has ratio of 3.0 to 1. Bi-directional to mount at either end of roller. Never needs lubrication or adjustment. Crank handle assembly, of anodized aluminum and chrome plated steel, up to 6' in length, detachable or permanently mounted. Heavy duty crank optionally available in lengths to 10'. Optional 2-Piece crank handle available for shades 14' or more above floor. Crank roller insert, of injection molded nylon and steel, is installed in the roller and engages to gear box.

Components

Rollers (except spring rollers): Sizes 1 1/4" dia. x .030 wall, 1 1/2" dia. with .065 wall, or 2" dia. with .080 wall, in steel or extruded aluminum. Roller assembly easily removable.

Roller Idler Assembly: Fiberglass reinforced polyester thermopolymer (PBT), with spring-loaded pin to interlock with mounting bracket.

Slat: 1 3/16" tube, encased in hem.

Coupler Assembly: Zinc plated steel Coupler Shafts shall be retractable into coupler assembly for ease of installation and to lock units in place. Zinc plated steel coupler brackets shall have spherical OD bearings allowing for misalignment of the mounting brackets of up to 1.25-degrees. One crank operator to drive additional shade rollers. Patent Pending.

Endcaps: 1018 steel stamping. 2 sizes: 3 1/4" x 3 3/4" and 4 1/2" x 4 1/2". Complete with adapter roller bracket. Installs to face, ceiling, or jamb. Accepts box covers and fabric guide.

Endcap Covers: Plastic covers snap onto endcaps. Available in ivory, bronze, black or white to match fascia.

Fascia: L-shaped or radius cover of extruded aluminum, .060 wall. Assembly snaps onto endcaps without exposed fasteners. Radius fascia on small hardware only-not available on large fascia or crank-operated shades. **Clear anodized (standard)** finish or black, white, ivory or bronze powder coat finish.

Headbox: Standard consists of fascia, L-shaped back/top cover. Assembly snaps onto endcaps. Optional, for pocket installation, includes a U-shaped back/top/front cover with removable bottom closure panel. Small size: 3 7/16" x 3 15/16". Large size: 4 1/16" x 4 11/16". Some exposed fasteners required. **Clear anodized (standard)** finish or black, white, ivory or bronze powder coat finish.

Type D Pocket: Type D Shade Pocket, to be fabricated of metal for perimeter installation. Accepts FlexShades installed with ceiling brackets. Finished in white paint. 5" x 5 3/8" x .125" with 7/8" tile support lip and removable bottom closure. Dual pocket 9 1/2" x 5 3/8" x .125" with 7/8" tile support lip and removable bottom closure.

Battens: In order to ensure proper flatness and tracking, Draper reserves the right to utilize metal battens, installed in pockets across entire width of shade.

"L" Angle (3/4" x 1" x 12'3", 1" x 2 3/4" x 16' or cut to length): Accepts side edges of fabric, prevents light gaps. Interior of channel provides for use of flat head screws.

Please note: Dimensions of rollers, operators and hardware at manufacturer's discretion.

Downloadable 3-part specifications are available at www.draperinc.com.

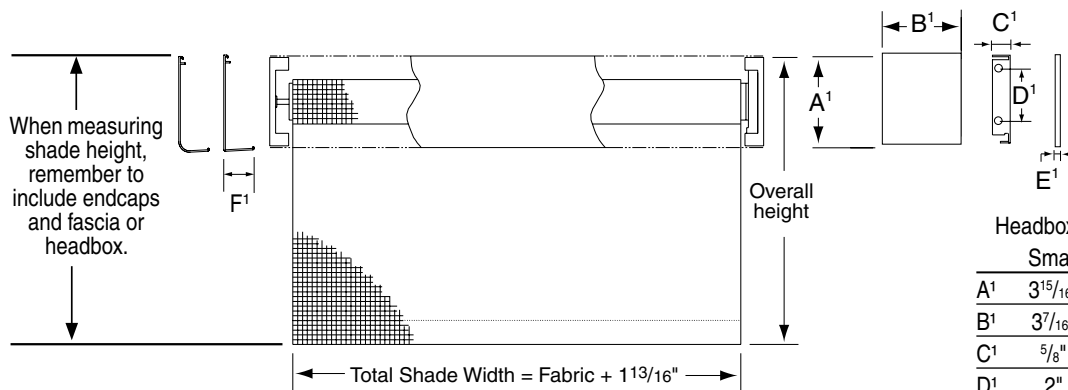
Zytel® is a registered trademark of E. I. du Pont de Nemours and Company.

DuPont™ is a trademark of E. I. du Pont de Nemours and Company.

Select Fabric	Color name and number
Blackout	
Draper SB9000 _____	
Draper SB9100 _____	
Mermet Edessa Twilight FR _____	
Mermet Flocke _____	
Mermet Vizela _____	
Phifer SheerWeave® SW7000 _____	
Phifer SheerWeave® SW7100 _____	
Solar	
23%	
Phifer SheerWeave® SW1000 _____	
14%	
Phifer SheerWeave® SW3000 _____	
10%	
Mermet "E" Screen _____	
Phifer SheerWeave® SW2100 _____	
Phifer SheerWeave® SW2710 _____	
Phifer SheerWeave® SW2600 _____	
Phifer SheerWeave® SW2410 _____	
Phifer SheerWeave® PW4100 _____	
5%	
GreenScreen Revive _____	
Mermet "E" Screen _____	
Mermet "M" Screen _____	
Mermet Silverscreen _____	
Phifer SheerWeave® Basic _____	
Phifer SheerWeave® Infinity 2 _____	
Phifer SheerWeave® SW2000 _____	
Phifer SheerWeave® SW2705 _____	

Phifer SheerWeave® SW2900 _____	
Phifer SheerWeave® PW3500 _____	
Phifer SheerWeave® PW4500 _____	
Phifer SheerWeave® PW4550 _____	
Phifer SheerWeave® Infinity 2 _____	
Mermet Silverscreen _____	
4%	
Mermet "S" Screen _____	
3%	
Mermet "E" Screen _____	
Mermet "M" Screen _____	
Phifer SheerWeave® Basic _____	
Phifer SheerWeave® Infinity 2 _____	
Phifer SheerWeave® SW2703 _____	
Phifer SheerWeave® SW2400 _____	
Phifer SheerWeave® PW4400 _____	
Phifer SheerWeave® PW4600 _____	
Phifer SheerWeave® PW4650 _____	
Ferrari Soltis 99 _____	
1%	
GreenScreen Revive _____	
Mermet "E" Screen _____	
Mermet "T" Screen _____	
Mermet Vizela _____	
Phifer SheerWeave® SW2701 _____	
Phifer SheerWeave® SW2500 _____	
Phifer SheerWeave® PW4800 _____	
Varies	
Mermet Vela _____	
Phifer SheerWeave® SW5000 _____	

Dimensions—Crank-Operated FlexShade



(Fascia Overall Width includes plastic endcap covers)
(Pair adds 1/8" to Overall Width)

	Headbox with Endcaps		Endcaps with Fascia	
	Small	Large	Small	Large
A ¹	3 ¹⁵ / ₁₆ "	4 ¹¹ / ₁₆ "	A ¹ 3 ⁷ / ₈ "	4 ⁵ / ₈ "
B ¹	3 ⁷ / ₁₆ "	4 ¹¹ / ₁₆ "	B ¹ 3 ³ / ₈ "	4 ⁵ / ₈ "
C ¹	5/8"	5/8"	C ¹ 5/8"	5/8"
D ¹	2"	3 ¹ / ₄ "	D ¹ 2"	3 ¹ / ₄ "
E ¹	1/16"	3/32"	E ¹ 1/16"	3/32"
F	1 ³ / ₁₆ "	1 ⁹ / ₁₆ "	F ¹ 1 ³ / ₁₆ "	1 ⁹ / ₁₆ "