

Clutch-Operated FlexShade® Slim NEXD

Heavy-duty, clutch-operated window shade with slim hardware profile and cassette option

SUBMITTAL
TECHNICAL INFO

Please check all appropriate selections and attach room schedule with verified dimensions.

Fabric Series: _____

Color Name / Number: _____

Openness Factor: _____

Select Hardware:

- Endcaps Only
 - Wall Mount Ceiling Mount
- Endcaps with Fascia
 - Wall Mount Ceiling Mount
- Cassette Headbox with Fascia
 - Wall Mount Ceiling Mount

Select Clutch Location:

(As seen from INSIDE the room facing the window. Also indicate on room schedule.)

- Right (standard)
- Left

Select Clutch Color:

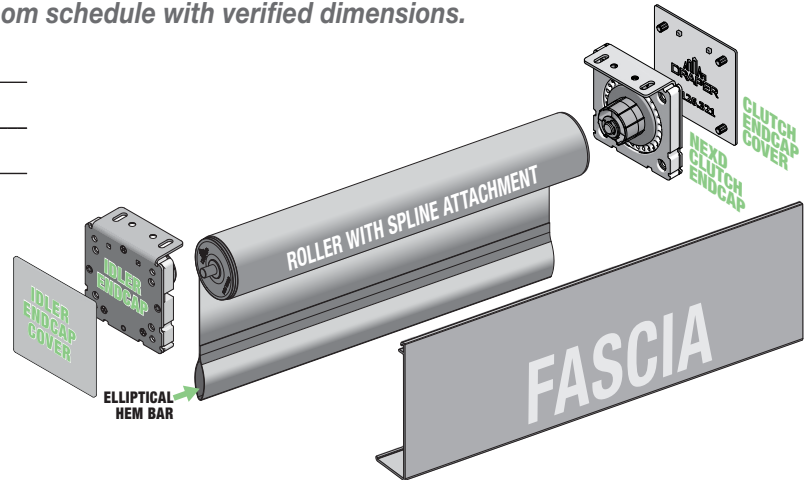
- White (standard)
- Black

Select Bead Chain Type:

- Steel Chain
 - Stainless Steel Black Steel White Steel (standard)
- Polyester Chain
 - Black Bronze White
 - Ivory Grey

Select Cord Tension Device:

- 'P'-Clip Cord Tension Device (standard)
- Spring-Loaded Chain Tension Device (Optional, but required for ANSI/WCMA A100.1 Compliance)



Select Fabric Attachment:

- Spline Attachment (standard)
- LSE Adhesive (Available upon request for a price deduction.)

Select Optional Side Channels for Light Gap Reduction:

(May not be compatible with all types of installations)

- Aluminum "L" Angle Vinyl "L" Angle
- Aluminum "U" Channel Channel Liners
- Aluminum "H" Channel

Select Hardware Finish:

- Clear Anodized (standard)
- Black Bronze White Ivory

Select Hem Bar Style:

- Closed Pocket - 1" (25mm) Elliptical Slat (standard)
- Open Pocket - 1" (25mm) Elliptical Slat
- Small Rectangular Exposed Hem Bar - 7/8" x 5/16" (22mm x 8mm)
- Large Rectangular Exposed Hem Bar - 1 1/2" x 5/16" (38mm x 8mm)
- Round Exposed Hem Bar - 3/4" (19mm) diameter

Available Sizes:

WIDTH:	2'	3'	4'	5'	6'	7'	8'	9'	10'
HEIGHT									
2'									
3'									
4'									
5'									
6'									
7'									
8'									
9'									
10'									

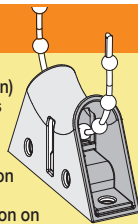
Please Note: See the submittal document for NEXD FlexShade® with small/large hardware if size needed is not shown here.

Child Safety Information

ANSI/WCMA A100.1-2018 standard (developed by the Window Coverings Manufacturer's Association and the Consumer Product Safety Commission) was established on December 15, 2018, to eliminate strangulation hazards for small children from hanging cords and chain loops.

When dealers specify that custom shades comply with ANSI/WCMA A100.1-2018, Draper® provides a pre-installed Spring-Loaded Chain Tension Device (shown at right) for clutch-operated units. When properly installed, tension device prevents creation of a hazardous loop by maintaining tension on bead chain. If not installed properly, shade is partially inoperable.

For more information, please see ANSI/WCMA A100.1-2018 compliance page: www.draperinc.com/windowshades/wcma-compliance.aspx



Draper, Inc. | 411 S. Pearl St. Spiceland, IN 47385
draperinc.com | 765.987.7999 | 800.238.7999

© 2020 All Rights Reserved | FORM: FlexShade_NEXD_SLIM_CASSETTE_Sub20

PROJECT: _____

ARCHITECT: _____

CONTRACTOR: _____

SUPPLIER: _____

DATE: _____ REVISED: _____

Specifications

EQUIPMENT

NEXD CLUTCH OPERATOR: Delrin® POM thermoplastic with swaged .354" (9 mm) primary steel post with rotational bearing ensures smooth and quiet operation. Overrunning design. Positive mechanical engagement of drive mechanism to tube. White (standard) or black color options. Stainless steel bead chain (standard). Also available in ivory, grey, black, white, and brown polyester.

ROLLERS: Extruded aluminum 1¼" (32mm) and 1⅝" (40mm) diameter roller tube as appropriate for shade.

COMPONENTS

ENDCAPS: 1018 steel stamping. 3" W x 3⅜" H (76mm x 81mm). Installs to face, ceiling, or jamb. Field convertible between wall left, wall right or ceiling mount. Idler endcaps to have levelling adjustment.

ENDCAP COVERS: Plastic covers push into endcaps for positive engagement. Available in ivory, bronze, black, silver, or white to match fascia.

HEM BAR: CLOSED POCKET ELLIPTICAL SLAT: 1" (25mm) aluminum elliptical slat inside of a 1⅝" (41mm) pocket with heat sealed ends. **OPEN POCKET ELLIPTICAL SLAT:** 1" (25mm) aluminum elliptical slat with plastic ends inside of a 1⅝" (41mm) pocket. **FLAT EXPOSED HEM BAR: SMALL:** ⅞" x ⅝" (22mm x 8mm) and **LARGE:** 1½" x ⅝" (38 x 8mm) aluminum rectangular hem bar with plastic endcaps. Powder coated in black, bronze, ivory, white, or clear anodized.

FABRIC ATTACHMENT: Spline fabric attachment (standard) allows removal of fabric panel without removal of roller assembly LSE adhesive fabric attachment available upon request.

FASCIA: Optional L-shaped cover of 6063-T5 extruded aluminum. Fascia snaps into place using no exposed fasteners. Clear anodized finish (standard) or available in ivory, bronze, black, or white powder coat.

CASSETTE HEADBOX: Standard consists of fascia and two interlocking extrusions that form a back/top cover. Suitable for pocket installation. **SIZE:** 3½" H x 3⅝" W (89 x 86mm). Clear anodized finish (standard) or available in ivory, bronze, black, or white powder coat.

CASSETTE EXTRUSION: Extruded aluminum. 2⅞" x ¼" (73 x 6mm). Assembly attached to endcaps by fasteners concealed by endcap covers.

CASSETTE MOUNTING BRACKETS: Spring loaded zinc die-cast and plastic.

LIGHT GAP REDUCTION HARDWARE: Extruded Aluminum. Accepts edges of fabric, prevents light gaps. Interior of channel provides for use of flat head screws.

"L" ANGLE: ¾" x 1" x 12'3" (1.9 x 2.5 x 373cm); 1" x 2¾" x 16' (2.5 x 7 x 488cm) or cut to length.

"U" CHANNEL: 1" x 2½" x 16' (2.5 x 6.4 x 488cm) or cut to length.

"H" CHANNEL: 1" x 5" x 16' (2.5 x 12.7 x 488cm) or cut to length.

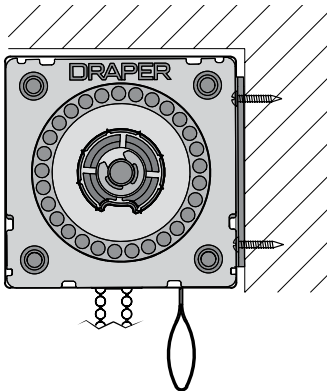
DOWNLOADABLE 3-PART SPECIFICATIONS: available at www.draperinc.com.

Please note: Dimensions of rollers, operators, and hardware at manufacturer's discretion.

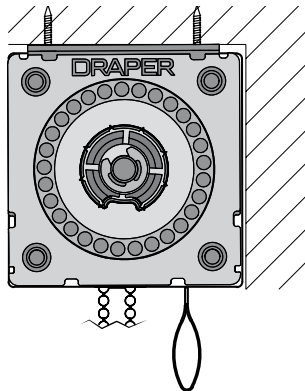
Mounting Hardware Selections

Please Note: Brackets and endcaps have the only attachment points for mounting a manual FlexShade. Optional fascia and headbox have a thickness of ⅛" (1.6mm).

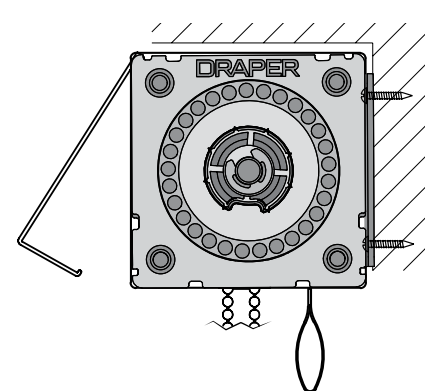
**Endcaps Only
Wall Mount**



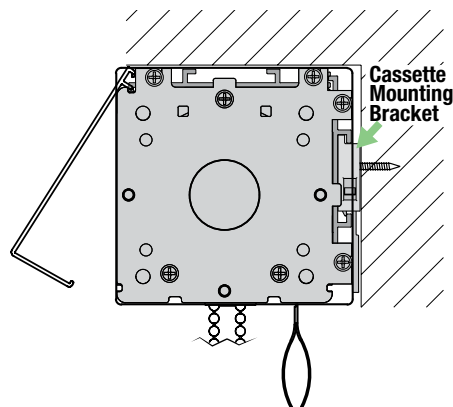
**Endcaps Only
Ceiling Mount**



**Endcaps and Fascia
Ceiling or Wall Mount
(Wall Mount Shown)**

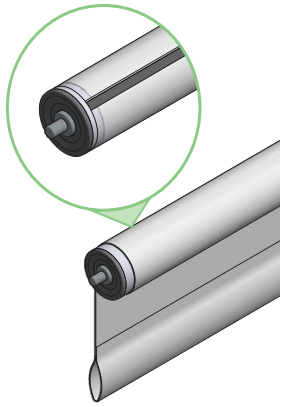


**Cassette
Wall Or Ceiling Mount
(Wall Mount Shown)**

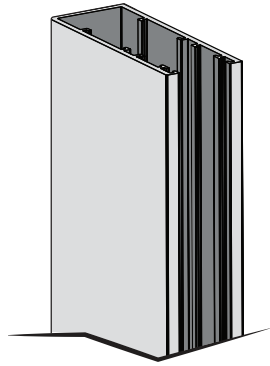


Mounting Hardware Selections

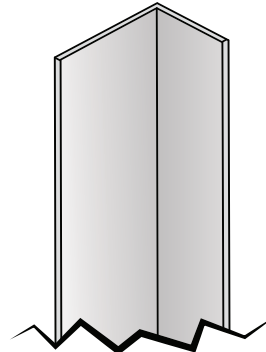
Spline Fabric Attachment



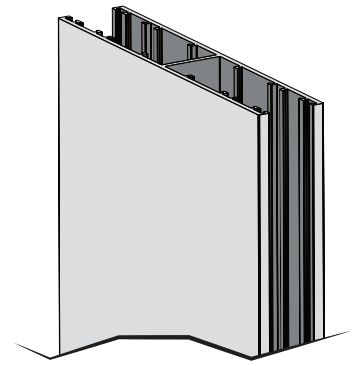
"U" Channel



"L" Angle

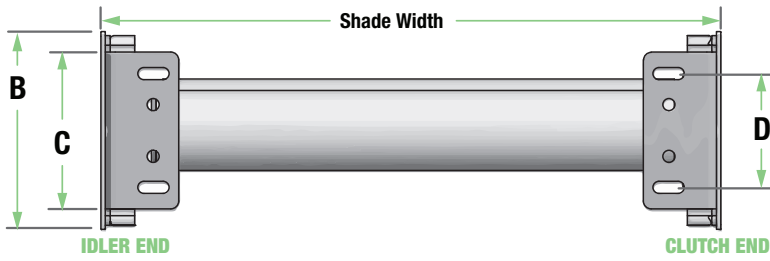


"H" Channel



Clutch-Operated FlexShade NEXD Dimensions:

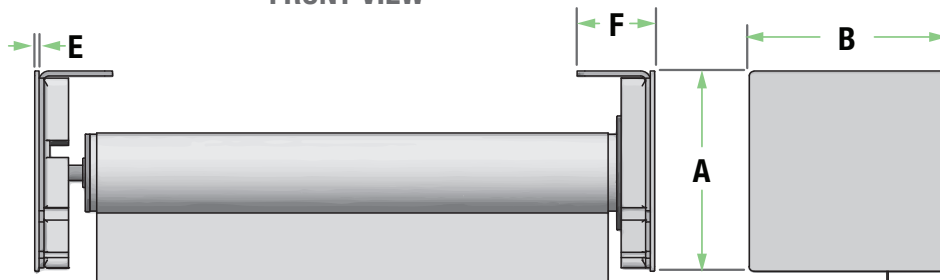
TOP-DOWN VIEW



WALL MOUNT DIMENSIONS	
A	3 3/16" (81 mm)
B	3 1/4" (83 mm)
C	2 1/2" (64 mm)
D	1 3/16" (30 mm)
E	1/16" (1.6 mm)
F	1 1/4" (32 mm)

CEILING MOUNT DIMENSIONS	
A	3 1/4" (83 mm)
B	3 3/16" (81 mm)
C	2 1/2" (64 mm)
D	1 3/16" (30 mm)
E	1/16" (1.6 mm)
F	1 1/4" (32 mm)

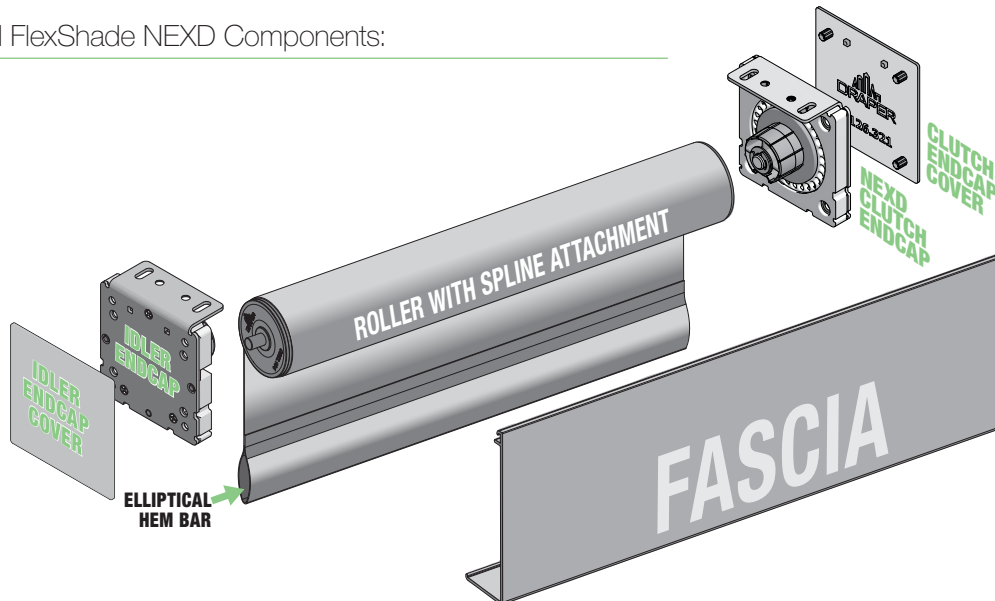
FRONT VIEW



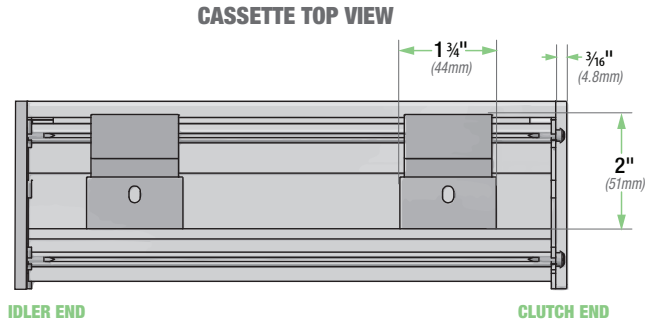
PLEASE NOTE:
Overall Width includes plastic endcap covers, which add 1/8" (3mm) to Overall Width.

PLEASE NOTE:
When measuring shade height, remember to include endcaps and fascia, or headbox.

Clutch-Operated FlexShade NEXD Components:

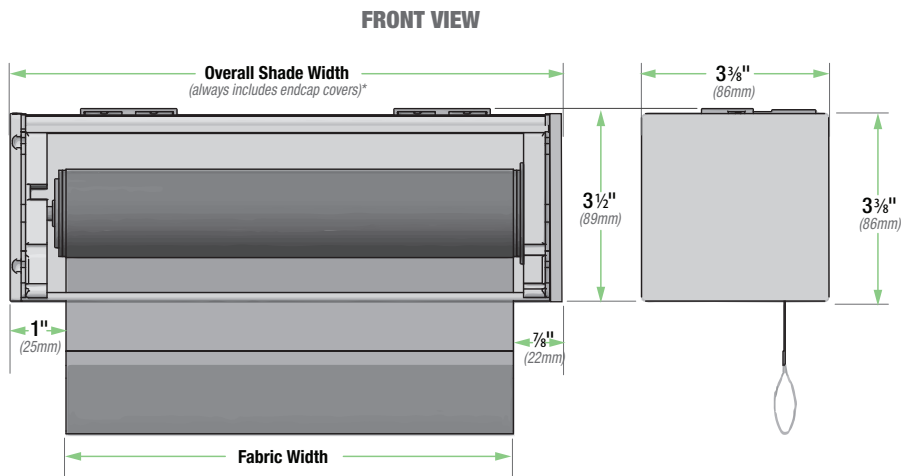


Clutch-Operated FlexShade NEXD Cassette Dimensions:



*** Endcaps covers are NOT to be removed at any point during NEXD Cassette installation.**

PLEASE NOTE:
When measuring shade height, remember to include endcaps and fascia or headbox.



3" (76mm) NEXD Cassette Components

