

Clutch-Operated FlexShade® NEXD, Small and Large Hardware

Next generation premium manually-operated shade

Please check all appropriate selections and attach room schedule with verified dimensions.

FLEXSHADE NEXD

Fabric Series: _____

Color Name / Number: _____

Openness Factor: _____

Please see [Shade Fabric Reference Guide](#) on the Draper® website for fabric colors and specifications.

Select Clutch Location: (As seen from INSIDE the room facing the window. Also indicate on room schedule.)

- Right (standard) Left

Select Clutch Color:

- White (standard) Black

Optional Spring Assist

- Spring Assist per manufacturer's standards (as required based on fabric weight)
 Spring Assist on all units (minimum shade width 48" (122cm))
 Spring Assist as indicated on room schedule

Select Bead Chain Type:

- Steel Chain
 Stainless Steel (standard) Black Steel White Steel
 Polyester Chain
 Black Bronze White
 Ivory Grey

Select Cord Tension Device:

- 'P'-Clip Cord Tension Device (standard)
 Spring-Loaded Chain Tension Device (Optional, but required for ANSI/WCMA A100.1 Compliance)

Select Fabric Orientation:

- Regular Roll (from BACK of roller - standard)
 Reverse Roll (from FRONT of roller - not compatible with Fascia)

Select Fabric Attachment:

- Spline Attachment (standard)
 LSE adhesive (available upon request for a price deduction.)

Select Hem Bar Style:

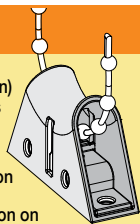
- Closed Pocket - 1" (25mm) Elliptical Slat (standard)
 Open Pocket - 1" (25mm) Elliptical Slat
 Small Rectangular Exposed Hem Bar - 7/8" x 5/16" (22mm x 8mm)
 Large Rectangular Exposed Hem Bar - 1 1/2" x 5/16" (38mm x 8mm)
 Round Exposed Hem Bar - 3/4" (19mm) diameter

Child Safety Information

ANSI/WCMA A100.1-2018 standard (developed by the Window Coverings Manufacturer's Association and the Consumer Product Safety Commission) was established on December 15, 2018, to eliminate strangulation hazards for small children from hanging cords and chain loops.

When dealers specify that custom shades comply with ANSI/WCMA A100.1-2018, Draper® provides a pre-installed Spring-Loaded Chain Tension Device (shown at right) for clutch-operated units. When properly installed, tension device prevents creation of a hazardous loop by maintaining tension on bead chain. If not installed properly, shade is partially inoperable.

For more information, please see ANSI/WCMA A100.1-2018 compliance page: www.draperinc.com/windowshades/wcma-compliance.aspx



Draper, Inc. | 411 S. Pearl St. Spiceland, IN 47385
 draperinc.com | 765.987.7999 | 800.238.7999

© 2023 All Rights Reserved | FORM: FlexShade_NEXD_SMALL_LARGE_Sub23-R

SUBMITTAL

TECHNICAL INFO

Select Hardware

- Endcaps Only
 Wall / Ceiling Mount
 Endcaps with Fascia
 Wall / Ceiling Mount
 Headbox

PLEASE NOTE: The Pocket-Style Headbox is not designed for pre-installation, as the shade must be installed at the same time as the headbox. If a headbox needs to be pre-installed, Draper recommends using the Type D Pocket Headbox.

- Ceiling / Wall (Surface Headbox) Pocket Style
 Type "D" Pocket with Tile Lip (White only)
 Custom Headbox
 Wall Clip
 With Ceiling Tile Lip Without Ceiling Tile Lip
 Closure Panel for Type "D" Pocket or Wall Clip
 1 1/2" (38 mm) (recommended) 3" (76 mm) 5" (127 mm)

Select Optional Side Channels for Light Gap Reduction:

(May not be compatible with all types of installations)

- Aluminum "L" Angle Vinyl "L" Angle
 Aluminum "U" Channel Channel Liners
 Aluminum "H" Channel

Select Hardware Finish (Does not apply to Type "D" Headbox):

- Clear Anodized (standard) Ivory Black
 Bronze White Custom (Contact Draper)

Available Sizes:

WIDTH:	2'	3'	4'	5'	6'	7'	8'	9'	10'	11'	12'	13'	14'	15'
HEIGHT														
2'														
3'														
4'														
5'														
6'														
7'														
8'														
9'														
10'														
11'														
12'														
13'														
14'														
15'														

* Sizes requiring large endcaps/brackets will vary according to fabric.

- Default small (slim available)
 Small endcaps/brackets and 1 1/8" (40mm) roller are recommended.
 Large endcaps/brackets and 3" (76mm) roller may be required.

PROJECT: _____

ARCHITECT: _____

CONTRACTOR: _____

SUPPLIER: _____

DATE: _____ REVISED: _____

Specifications

EQUIPMENT

NEXD CLUTCH OPERATOR: Delrin® POM thermoplastic with swedged .354" (9 mm) primary steel post with rotational bearing to ensure smooth and quiet operation. Overrunning design. Positive mechanical engagement of drive mechanism to tube. White (standard) or black color options. Stainless steel bead chain (standard). Ivory, grey, black, white, and brown polyester chain available.

OPTIONAL SPRING-ASSIST IDLER: Adjustment-free system includes spring-assist components to reduce lifting forces required to raise the shade. Manufacturer shall provide estimated torque for shade unit. Spring-assist is recommended on estimated non-spring-assist torque above 6 lb-in; required on shades with an estimated torque higher than 15 lb-in.

ROLLERS: Extruded aluminum 1 1/8", 2.36", or 3.12" (40, 60, or 79mm) diameter roller tube as appropriate for shade.

COMPONENTS

ENDCAPS: 1018 steel stamping. Two sizes available: SMALL: 3 7/8" x 3 3/8" (98 x 86 mm), LARGE: 4 3/4" x 4 5/8" (117 x 117 mm). Installs to face, ceiling, or jamb. Field convertible between wall left, wall right, or ceiling mount. Idler endcaps to have leveling adjustment.

ENDCAP COVERS: Plastic covers push into endcaps for positive engagement. Available in ivory, bronze, black, silver, or white to match fascia.

HEM BAR: CLOSED POCKET ELLIPTICAL SLAT: 1" (25mm) aluminum elliptical slat inside of a 1 5/8" (41mm) pocket with heat sealed ends. OPEN POCKET ELLIPTICAL SLAT: 1" (25mm) aluminum elliptical slat with plastic ends inside of a 1 3/4" (41mm) pocket. FLAT EXPOSED HEM BAR: SMALL: 7/8" x 3/8" (22mm x 8mm) and LARGE: 1 1/2" x 3/8" (38mm x 8mm) aluminum rectangular hem bar with plastic endcaps. Powder coated in black, bronze, ivory, white, or clear anodized.

FABRIC ATTACHMENT: Spline fabric attachment (standard) allows removal of fabric panel without removal of roller assembly. LSE adhesive fabric attachment available upon request.

FASCIA: L-shaped cover of 6063-T5 extruded aluminum. Fascia snaps into place using no exposed fasteners. Clear anodized finish (standard) or available in ivory, bronze, black, or white powder coat.

SURFACE HEADBOX: Consists of fascia, "L" shaped back/top cover. Endcaps slide into extrusion without exposed fasteners.

POCKET HEADBOX: For pocket installation, includes a "U" shaped back/top/front cover with removable bottom closure panel.

Small Size: 3 7/8" x 3 15/16" (87 x 100 mm)
Large Size: 4 1/4" x 4 1/4" (119 x 119 mm). Some exposed fasteners required.

TYPE "D" POCKET: Type "D" Shade Pocket, extruded aluminum, for perimeter installation. Accepts FlexShade® installed with endcaps. Finished in white paint. 5" x 5 3/4" x .125" (127 x 137 x 3 mm) with 7/8" (22 mm) tile support lip & removable bottom closure.

LIGHT GAP REDUCTION HARDWARE: Extruded aluminum. Accepts edges of fabric, prevents light gaps. Interior of channel provides for use of flat head screws. Available with or without lining.

"L" ANGLE: 3/4" x 1" x 12'3" (1.9x2.5x373cm); 1" x 2 3/4" x 16' (2.5x7x488cm) or cut to length.

"U" CHANNEL: 1" x 2 1/2" x 16' (2.5x6.4x488cm) or cut to length.

"H" CHANNEL: 1" x 5" x 16' (2.5x12.7x488cm) or cut to length.

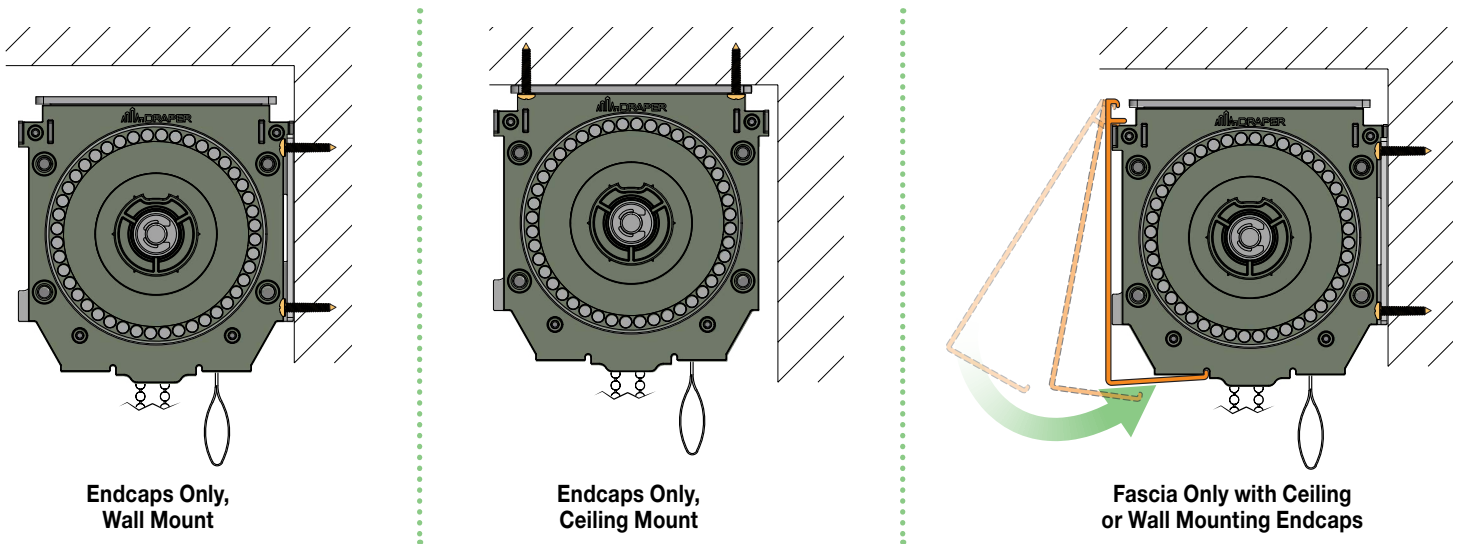
VINYL "L" ANGLE: 1 1/2" x 3/4" x 8' (3.81x1.9x243.84cm) stock length only. Installed using adhesive.

DOWNLOADABLE 3-PART SPECIFICATIONS: available at www.draperinc.com.

Please note: Dimensions of rollers, operators, and hardware at manufacturer's discretion.

Mounting Hardware Selections

Please Note: Endcaps have the only attachment points for mounting a manual FlexShade®. Optional fascia and headbox have a thickness of 1/8" (1.6mm).

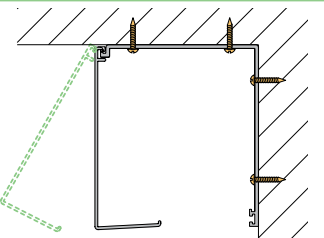


Headbox Installation Options

Surface Headbox

Consists of:

- Fascia
- Back/Top Cover
- Ceiling/Wall Endcaps



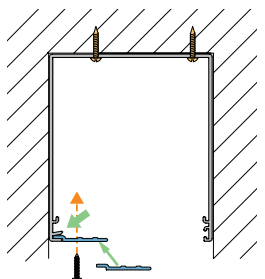
Pocket Style Headbox

Consists of:

- Extruded Pocket
- Bottom Closure Panel
- Ceiling/Wall Endcaps

SMALL SIZE: 3 7/8" x 3 15/16"
(87 mm x 100 mm)

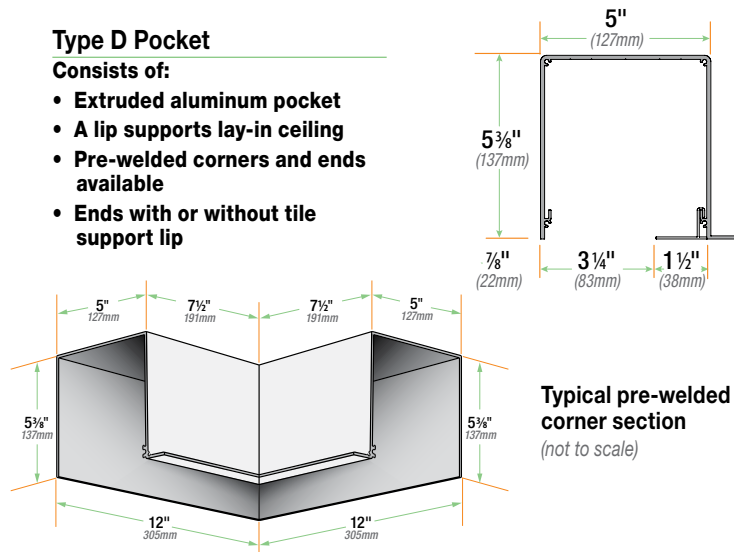
LARGE SIZE: 4 1/4" x 4 1/4"
(119 mm x 119 mm)



Type D Pocket

Consists of:

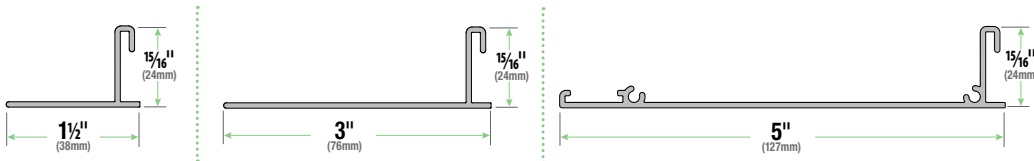
- Extruded aluminum pocket
- A lip supports lay-in ceiling
- Pre-welded corners and ends available
- Ends with or without tile support lip



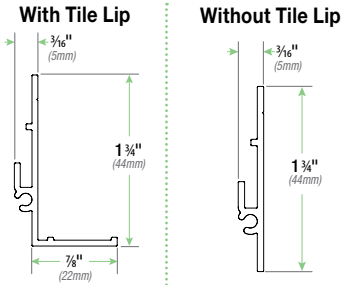
Typical pre-welded corner section
(not to scale)

Wall Clip and Closure Options

Closure Options

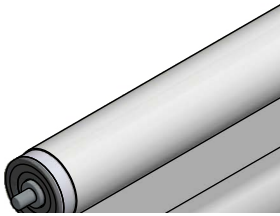


Wall Clip Options

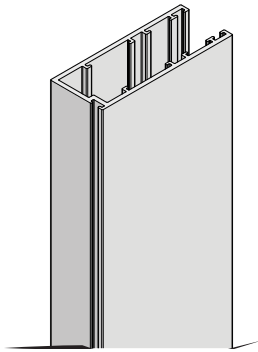


Mounting Hardware Selections

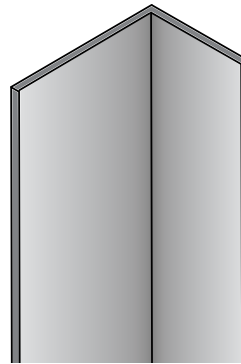
Spline Fabric Attachment



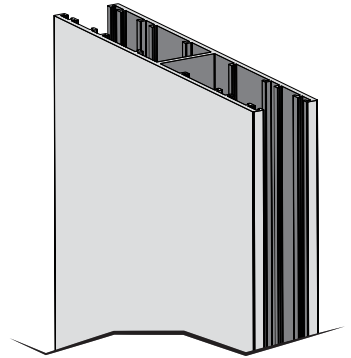
"U" Channel



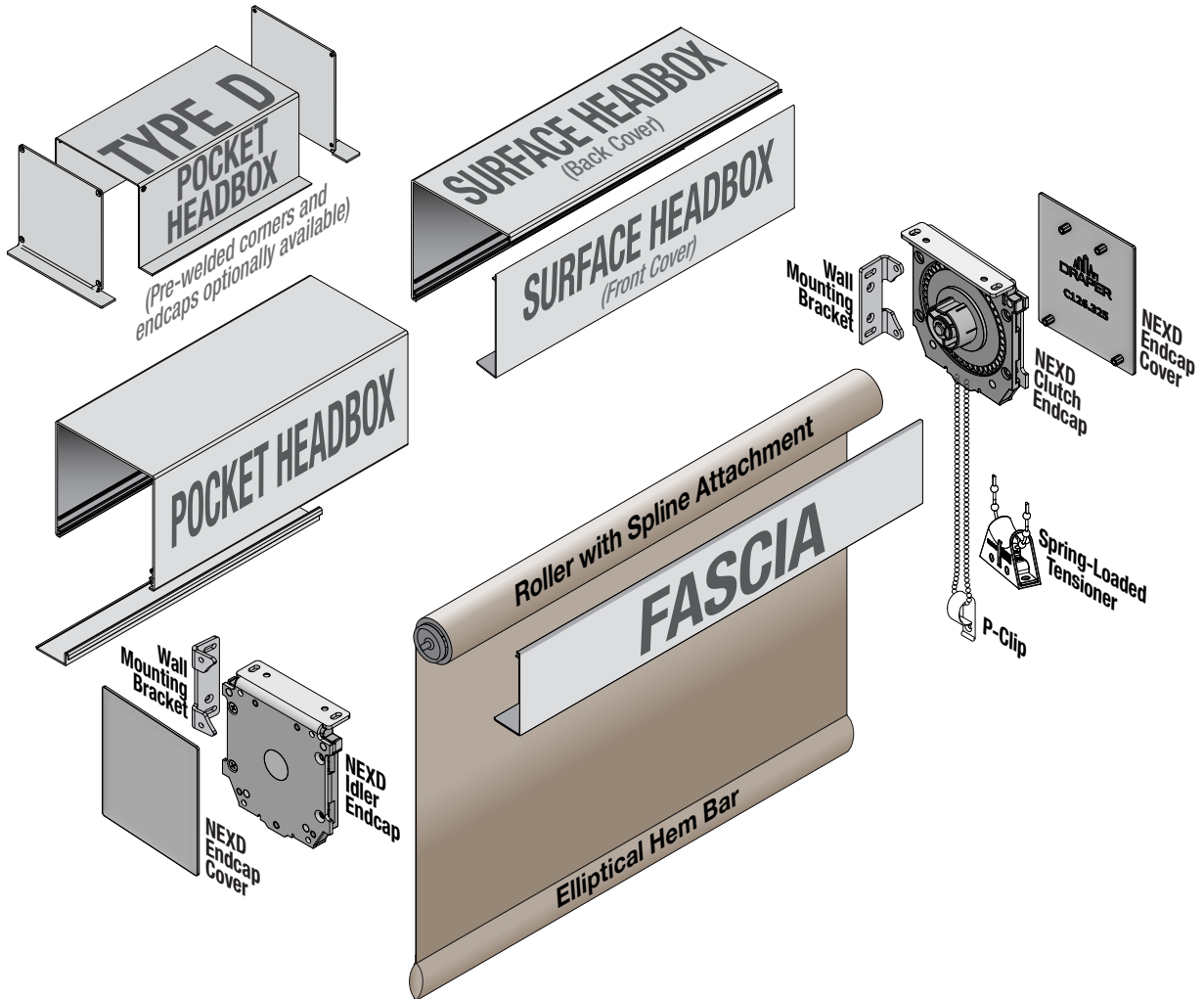
"L" Angle



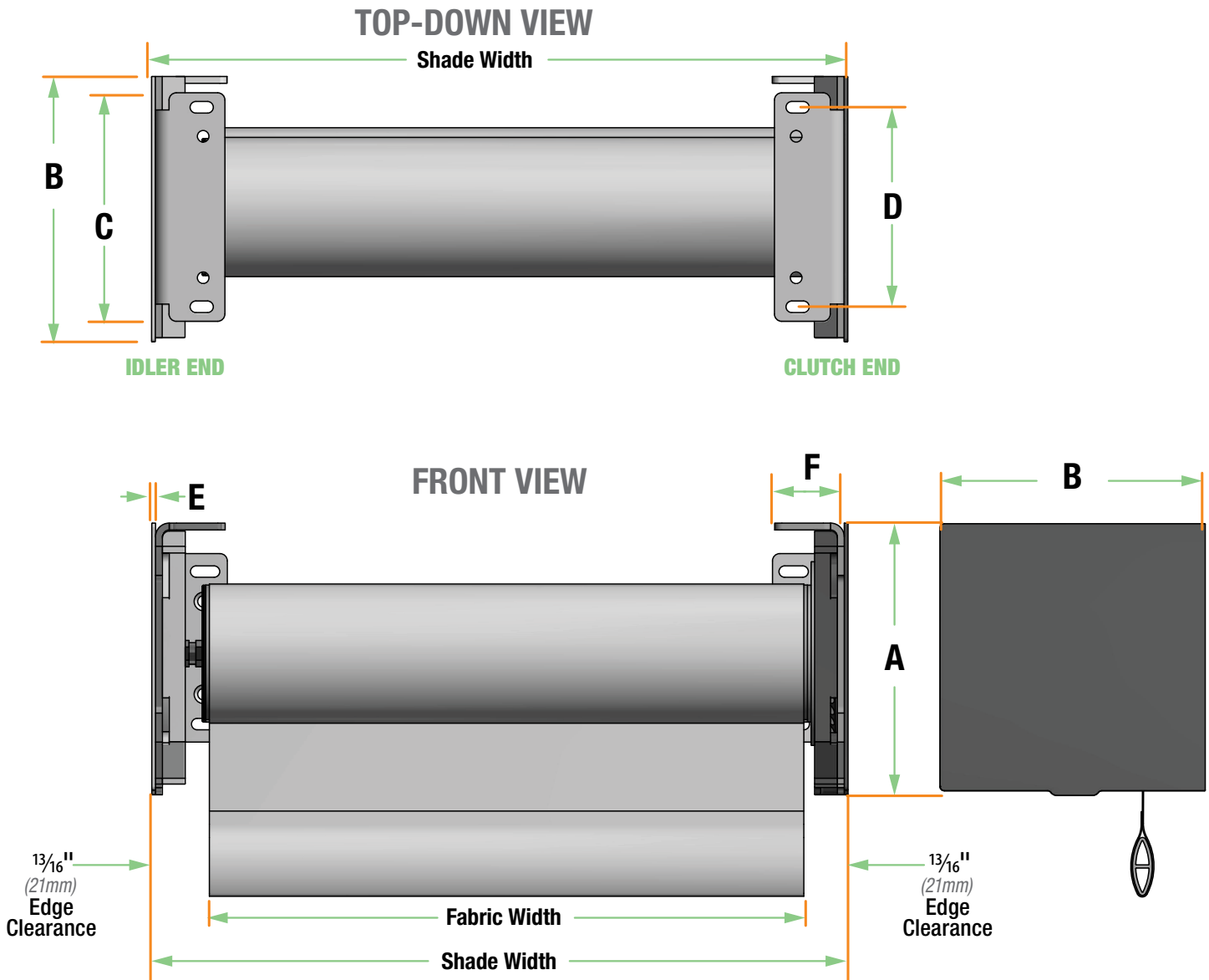
"H" Channel



Components (Small Hardware shown)



Dimensions



FlexShade® NEXD Endcaps & Fascia

	ENDCAPS	
	SMALL	LARGE
A	3 7/8" (98mm)	4 5/8" (117mm)
B	3 3/8" (86mm)	4 5/8" (117mm)
C	2 3/4" (70mm)	3 15/16" (100mm)
D	2 1/8" (54mm)	3 7/16" (87mm)
E	1/16" (2mm)	1/16" (2mm)
F	1 1/4" (32mm)	1 1/4" (32mm)

	ENDCAPS WITH FASCIA	
	SMALL	LARGE
A	3 7/8" (98mm)	4 5/8" (117mm)
B	3 3/8" (86mm)	4 5/8" (117mm)
C	2 3/4" (70mm)	3 15/16" (100mm)
D	2 1/8" (54mm)	3 7/16" (87mm)
E	1/16" (2mm)	1/16" (2mm)
F	1 1/4" (32mm)	1 1/4" (32mm)

	HEADBOX WITH ENDCAPS	
	SMALL	LARGE
A	3 15/16" (100mm)	4 11/16" (119mm)
B	3 7/16" (87mm)	4 11/16" (119mm)
C	2 3/4" (70mm)	3 15/16" (100mm)
D	2 1/8" (54mm)	3 7/16" (87mm)
E	1/16" (2mm)	1/16" (2mm)
F	1 1/4" (32mm)	1 1/4" (32mm)