

# LightBloc® Zip with Crank

Zip feature prevents the fabric from coming out of the side channels, thus providing complete blackout

Please check all appropriate selections and attach room schedule with verified dimensions.

Fabric Series: \_\_\_\_\_  
 Color name / Number: \_\_\_\_\_  
 Openness Factor: \_\_\_\_\_

Please see Draper's Shade Fabric Reference Guide for fabric colors and specifications.

**Select Crank Location:**

- Right (Standard)
- Left

**Select Hardware:**

**Select Headbox Style:**

- Square (Standard)
- Curved
- Pocket

**Select Hardware Finish:**

- Black
- Bronze
- Ivory
- White
- Sand
- Silver

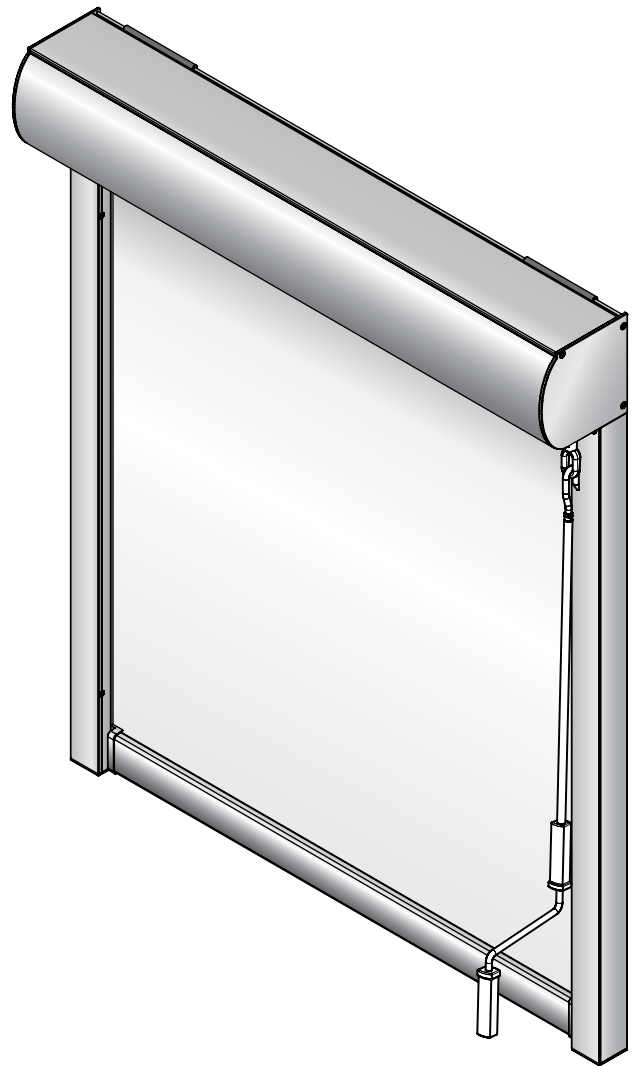
**Select Zipper Color:**

- Black (Standard)
- Grey

**Available Sizes:**

		WIDTH														
		2'	3'	4'	5'	6'	7'	8'	9'	10'	11'	12'	13'	14'	15'	16'
2'	Available	Available	Available	Available	Available	Available	Available	Available	Available	Available	Available	Available	Available	Available	Available	Available
3'	Available	Available	Available	Available	Available	Available	Available	Available	Available	Available	Available	Available	Available	Available	Available	Available
4'	Available	Available	Available	Available	Available	Available	Available	Available	Available	Available	Available	Available	Available	Available	Available	Available
5'	Available	Available	Available	Available	Available	Available	Available	Available	Available	Available	Available	Available	Available	Available	Available	Available
6'	Available	Available	Available	Available	Available	Available	Available	Available	Available	Available	Available	Available	Available	Available	Available	Available
7'	Available	Available	Available	Available	Available	Available	Available	Available	Available	Available	Available	Available	Available	Available	Available	Available
8'	Available	Available	Available	Available	Available	Available	Available	Available	Available	Available	Available	Available	Available	Available	Available	Available
9'	Available	Available	Available	Available	Available	Available	Available	Available	Available	Available	Available	Available	Available	Available	Available	Available
10'	Available	Available	Available	Available	Available	Available	Available	Available	Available	Available	Available	Available	Available	Available	Available	Available
11'	Available	Available	Available	Available	Available	Available	Available	Available	Available	Available	Available	Available	Available	Available	Available	Available
12'	Available	Available	Available	Available	Available	Available	Available	Available	Available	Available	Available	Available	Available	Available	Available	Available
13'	Available	Available	Available	Available	Available	Available	Available	Available	Available	Available	Available	Available	Available	Available	Available	Available
14'	Available	Available	Available	Available	Available	Available	Available	Available	Available	Available	Available	Available	Available	Available	Available	Available

\* Sizes requiring large endcaps/brackets will vary according to fabric.



PROJECT: \_\_\_\_\_

ARCHITECT: \_\_\_\_\_

CONTRACTOR: \_\_\_\_\_

SUPPLIER: \_\_\_\_\_

DATE: \_\_\_\_\_ REVISED: \_\_\_\_\_

## Specifications

### CRANK OPERATOR:

Bi-directional to mount at either end of roller. Never needs lubrication or adjustment. Crank handle assembly of powder coated and chromed steel, up to 6' in length, and detachable.

### HARDWARE:

**ROLLERS:** 2.364" (60 mm) dia. or 3.07" (78 mm) dia. with 0.049" (1.245 mm) wall; steel with galvalum coating.

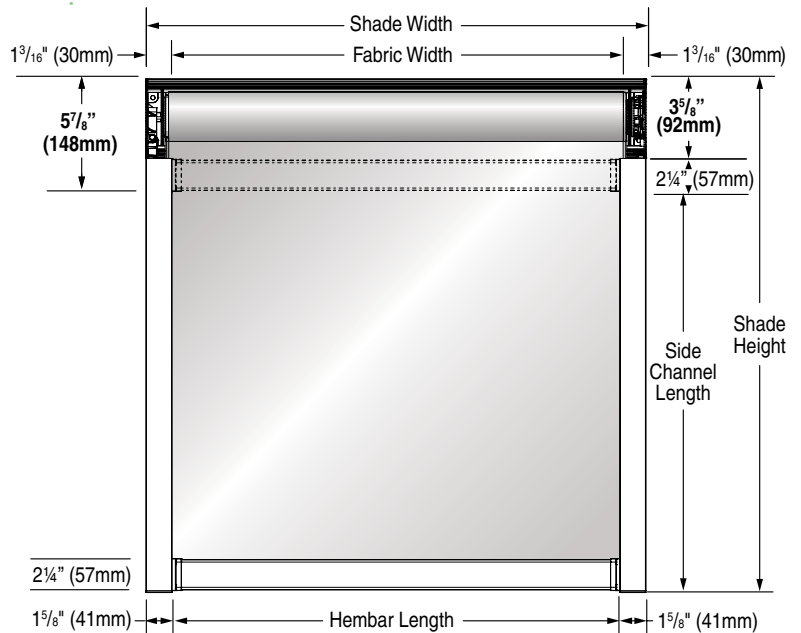
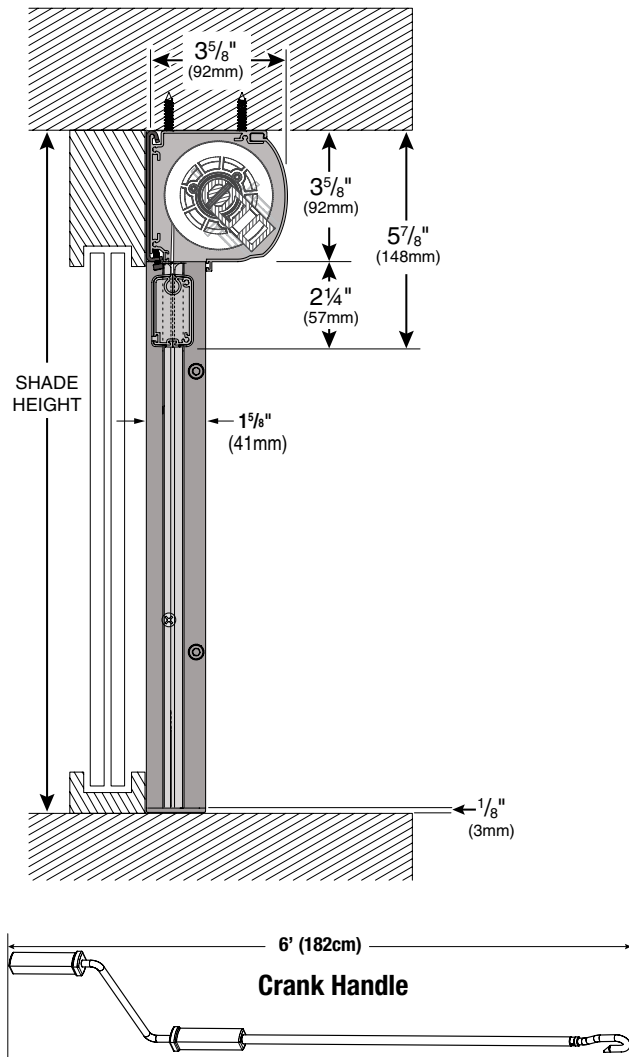
**HEADBOX:** Two-piece extruded aluminum headbox. Small size (92) shall be 35/8" (92 mm) tall x 35/8" (92 mm) deep. Silver, black, white, ivory, sand or bronze powder coat finish.

**FABRIC:** Fabric panel to incorporate pockets at the top and bottom to allow connection to the roller tube and to the hembar. 'Zip' detail welded to the two vertical sides of the fabric panel.

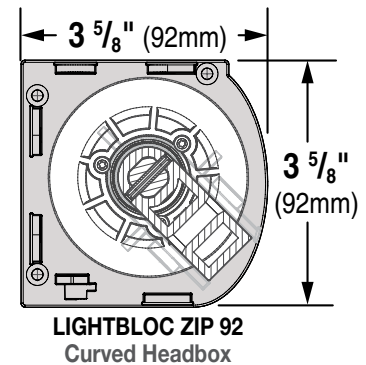
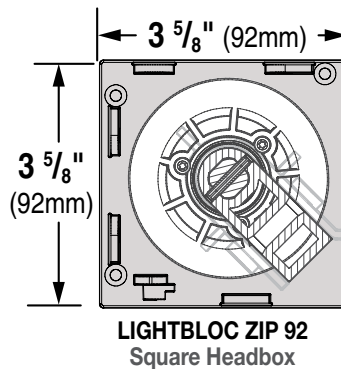
**HEMBAR:** Aluminum, with steel weight to reduce fabric movement. Color to match headbox.  
**SIDE CHANNELS/FABRIC RETENTION SYSTEM:** Side channels to be extruded aluminum and incorporate plastic inner channels. Plastic inner channels to be held inside the extrusion by means of cushioning pads that also dampen the movement of the fabric panel under wind load. 'Zip' details on the edges of the fabric panel to run in the inner channels to retain the fabric in place.

Patent information available at <http://www.draperinc.com/legal/patents/>  
 Downloadable 3-part specifications are available at [www.draperinc.com](http://www.draperinc.com).  
**Please note:**  
 Dimensions of rollers, operators and hardware at manufacturer's discretion.

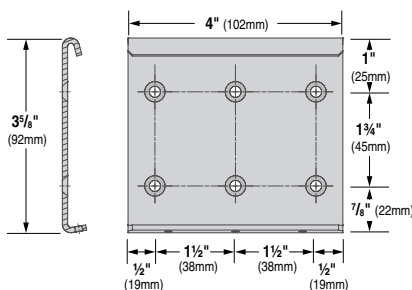
## Dimensions



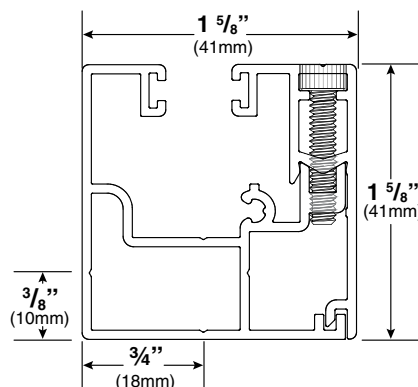
## Headbox Styles



## Zip 92 Wall Mounting Bracket



## Side Channel Dimensions



## Hem Bar Dimensions

