

Acumen[®]XL V

Wall-Mounted, tab-tensioned screen

Please check all appropriate selections and attach room schedule with verified dimensions.

Specifications

QUANTITY: _____ SIZE: _____ h. x _____ w.

Projection screens, electrically operated 110-120V AC, 60 Hz. 4-wire motor mounted inside screen roller, 1.1 amp draw, instantly reversible, lifetime lubricated, with internal thermal overload protector and electric brake, with factory set limits. 5" (127mm) dia. metal roller, mounted on rubber insulated supports.

Viewing surface mildew resistant, with black masking borders. Each side of surface includes tab guide cable system to maintain even lateral tension and hold surface flat. Tabs are integrated into the cut of the screen material then electronically welded. Bottom of surface supported and masked by black, extruded aluminum dowel weighted to apply proper vertical tension. Top of surface masked by 12" (30cm) black drop. Matt White XT1000V viewing surfaces are certified to GREENGUARD standards for low chemical emissions into indoor air during product usage.

Contoured case of 0.156" (3.9624 mm) thick, 9-gauge extruded aluminum. Removable front fascia conceals viewing surface that retracts completely inside the case. Case dimensions are 9-1/4" inches h x 8-1/4" inches d (234 mm x 205 mm).

Wall Mount Brackets and Ceiling Mount Brackets standard: "Floating" steel brackets, finished to match screen case.

3-position low voltage control switch to stop or reverse screen at any point. Switch complete with cover plate and LVC is built into housing.

Entire unit certified by Underwriters' Laboratories, Inc. for the U.S. and Canada.

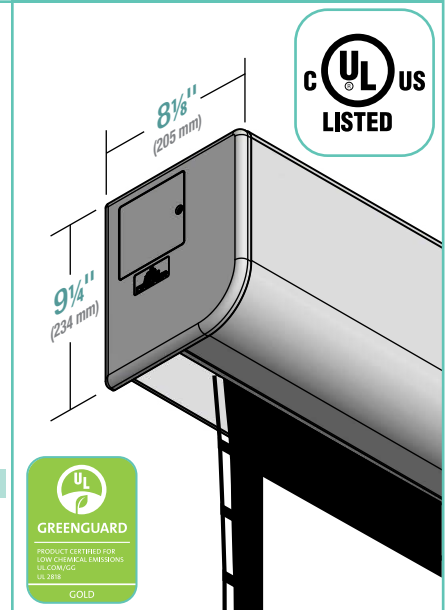
Plenum rated case (UL approved "Suitable for Use in Environmental Air Space"). For more information, visit ul.com/gg.

DOWNLOADABLE 3-PART SPECIFICATIONS: available at www.draperinc.com

Please note: Dimensions of rollers, operators, and hardware at manufacturer's discretion.

SUBMITTAL

TECHNICAL INFO



Select Viewing Surface:

TECVISION[®] Premium Optical Surface

Choose TecVision[®] surface:

- XT1000X White (1.0 gain) Certified
- XT1100X White (1.1 gain) Certified
- XT1300X White (1.3 gain) Certified
- XT1600X White (1.6 gain) Certified
- XH700X Grey (0.7 gain) Certified
- XH1200X Grey (1.2 gain) Certified
- XH800X ALR (0.8 gain) Certified
- XH900X ALR (0.9 gain) Certified
- MS1000X ALR (1.0 gain) Certified
- CS1100X ALR (1.1 gain) Certified
- Other

- I want the above surface perforated.

Choose standard viewing surface:

- Matt White XT1000VB* (1.0 gain): GREENGUARD Gold certified
- Grey XH600V (0.6 gain) (Thru 9' x 12'); GREENGUARD Gold certified
- Cineflex CH1200V (1.2 gain)
- Cineflex White XT700V (0.7 gain)
- Clearsound Nanoperf XT1000V (1.0 gain)
- Other

Dimensions and Data

16:10 Format

Diagonal	Image Area	Case Length	Net Weight (lbs)	Quantity
165"	87 1/2" x 140"	169 1/4"	166	
189"	100" x 160"	189 1/4"	185	
198"	105" x 168"	197 3/4"	192	
226"	120" x 192"	223 3/8"	215	
255"	135" x 216"	249"	249	

16:9 HDTV Format

Diagonal	Image Area	Case Length	Net Weight	Quantity
161"	79" x 140"	167 3/4"	164	
184"	90" x 160"	189 1/4"	183	
193"	94 1/2" x 168"	197 1/4"	190	
220"	108" x 192"	221 3/4"	212	
248"	121 1/2" x 216"	247 3/8"	245	

2.39:1 CinemaScope Format

Diagonal	Image Area	Case Length	Net Weight	Quantity
135"	52" x 124 1/4"	149 7/8"	148	
150"	58" x 138 1/4"	164 7/8"	160	
169"	65" x 155 1/4"	181 7/8"	175	
208"	80" x 191 1/4"	219"	207	

1.9:1 2K / 4K Full Format

Diagonal	Image Area	Case Length	Net Weight	Quantity
139"	65 x 123 1/2"	150"	149	
161"	75 x 142 1/2"	170 3/4"	166	
182"	85 x 161 1/2"	190 3/4"	184	
204"	95 x 180 1/2"	209 3/4"	201	

Custom Size

--	--	--	--	--



Draper, Inc. | 411 S. Pearl St. Spiceland, IN 47385
draperinc.com | 765.987.7999 | 800.238.7999

© 2024 All Rights Reserved | FORM: AcumenXLV_Sub24-R

PROJECT: _____

ARCHITECT: _____

CONTRACTOR: _____

SUPPLIER: _____

DATE: _____ REVISED: _____

Select Case Color

- White (*standard*)
- Black (*optional*)

Optional Accessories

- Extra Drop
- Black (*standard*)
- Same color as viewing surface
- Length of Total Drop: _____

Please Note: Extra drop increases case and dowel length.
Specify at time of order and contact Draper if dimension is critical.

Select Motor and Controls

Low-Voltage Motor and Control Options:

- Internal LVC-IV (*STANDARD Low-Voltage Control Module*)
- Please Note:** These motors come with a single LVC-S Wall Switch.
- External LVC-IV (*Optional Low-Voltage Control Module*)

Select Control Options for Low-Voltage from below:

- 24 Volt 3-Button Switch (*Standard*) (Number of 24V switches: _____)
- Radio Frequency Remote Control
- Infrared Remote Control (*only with 24V*)
- Optional Key Operated Switch (*only with 24V*)
 - Power Supply Key Switch (*On-off*) (KS-1)
 - 3-Position Switch with Hinged Key-Locking Coverplate (SP-KPS-1)

Optional Voltage Motor and Control Options:

- 110-120V AC (*optional*)

Please Note: These motors come with one 110V-120V AC 3-position wall switch
(silver wall plate with black rocker).

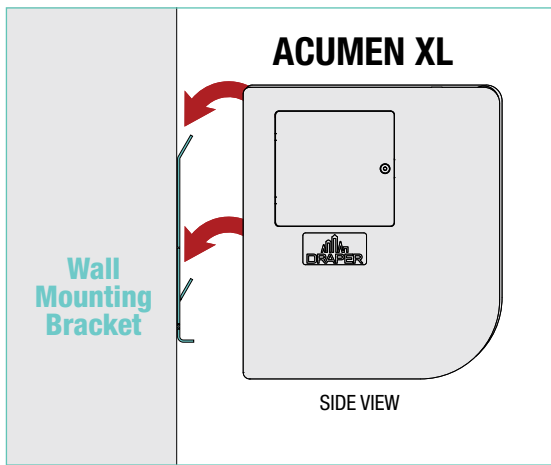
Total number of 110-120V AC switches: _____
(switches operate independently)

- Substitute white switch(es) for silver wall plate with black rocker
- Optional Key Operated Switch
 - Power Supply Key Switch (*On-off*)
 - 3-Position Key Control
 - 3-Position Switch with Hinged Key-Locking Coverplate

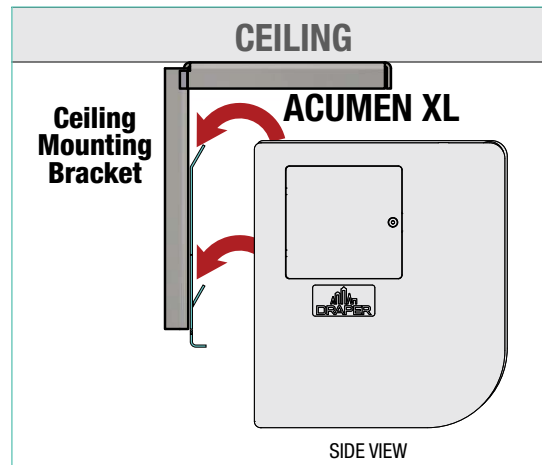
Methods of Installation

CAUTION: Product is very heavy: Installer must provide adequate attachment hardware and anchors as required.
Installer must also ensure that wall or ceiling structure is of adequate strength.

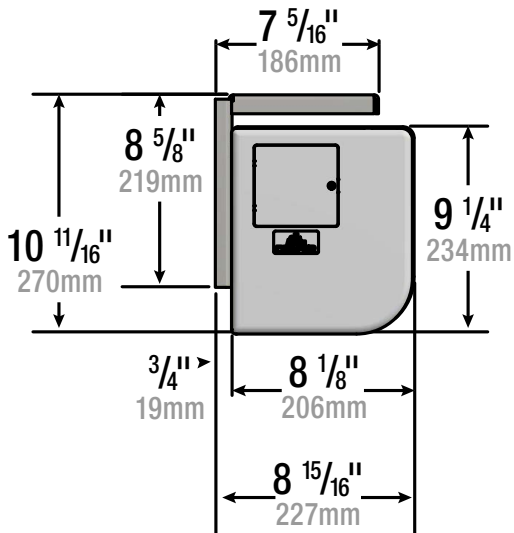
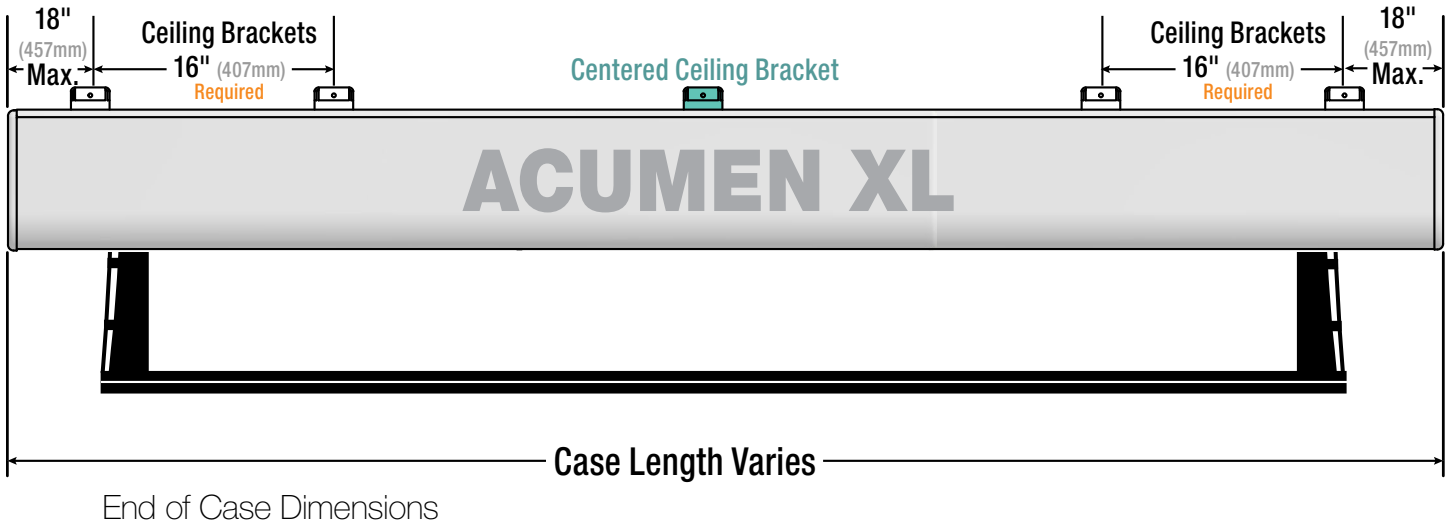
WALL MOUNTED



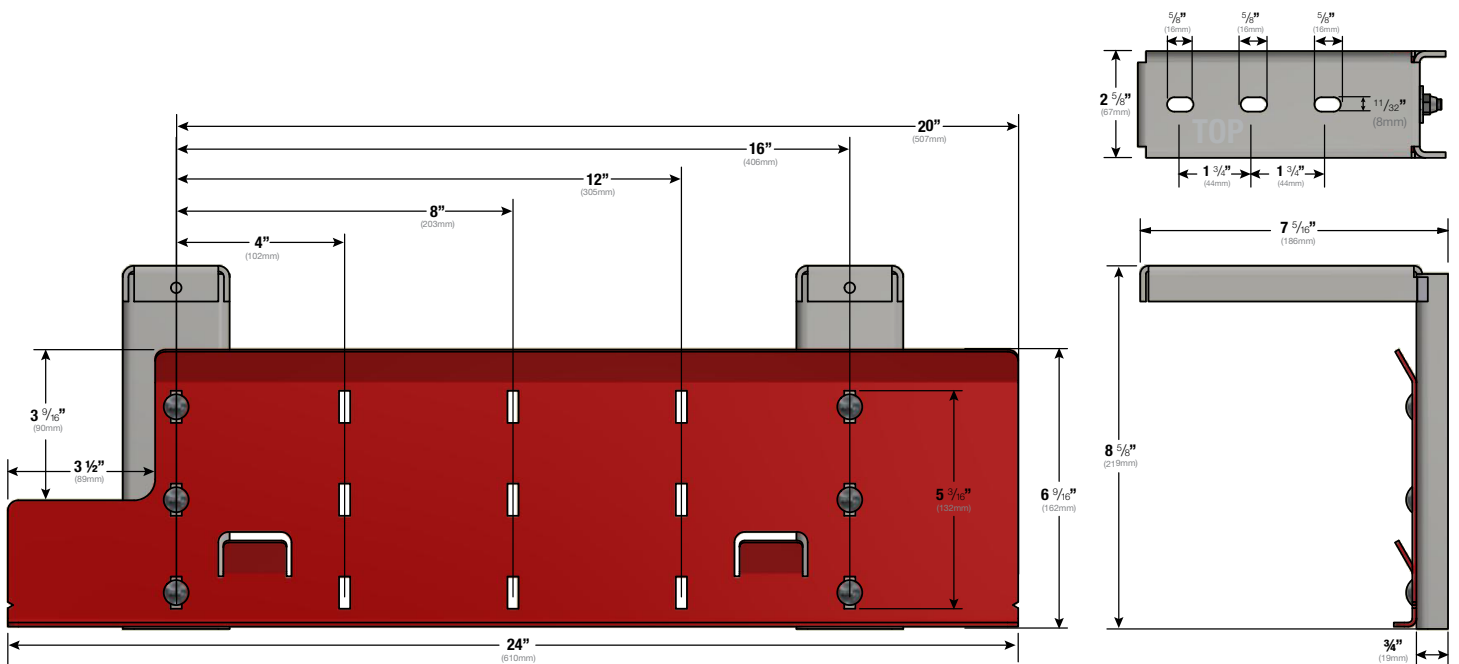
CEILING MOUNTED



Case Dimensions



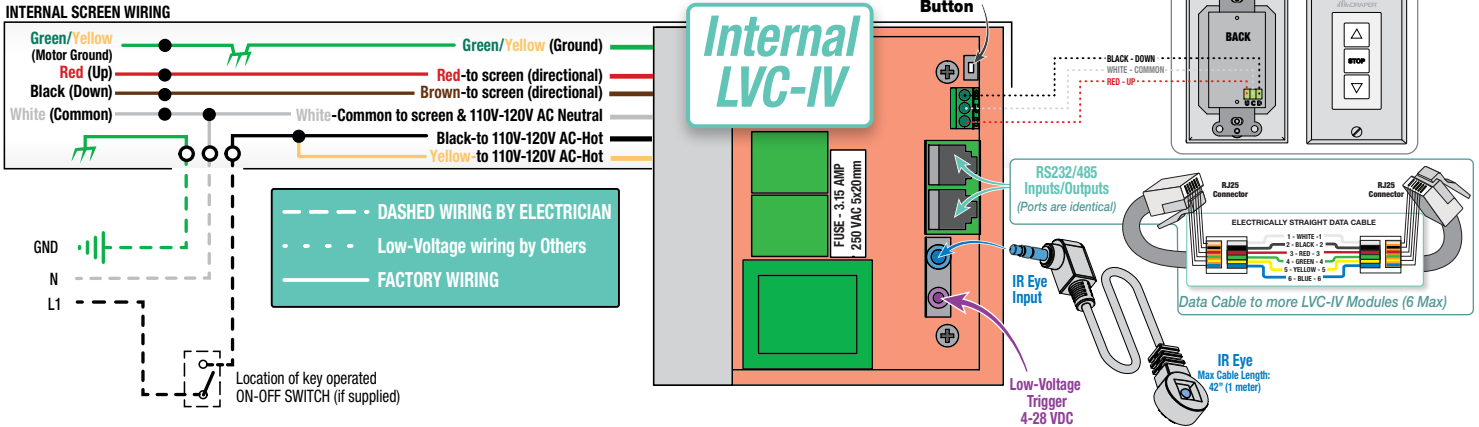
Wall & Ceiling Bracket Dimensions



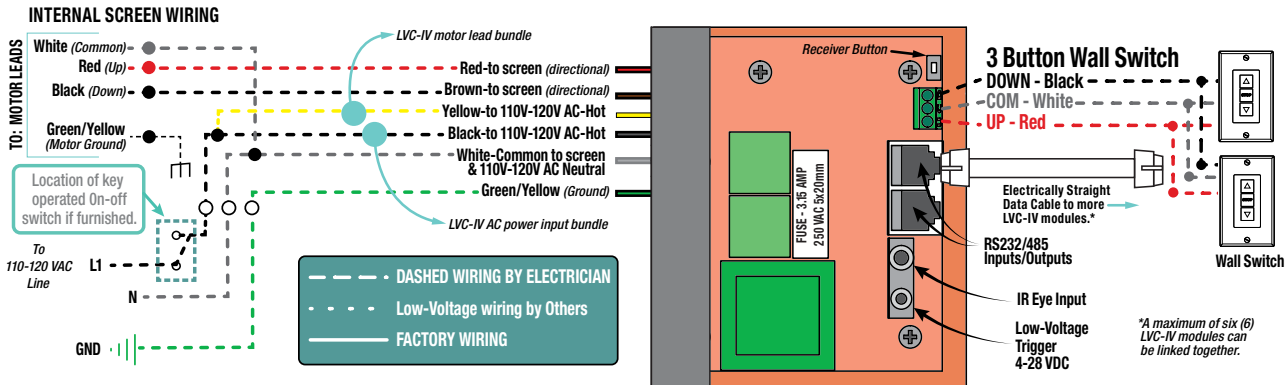
Wiring Diagrams

For more information and wiring diagrams for serial and network communication, please see wiring diagrams supplied with individual items.

Internal LVC-IV comes Standard with screen.

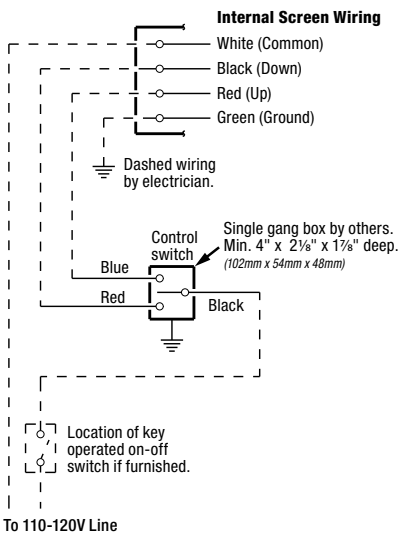


WIRING DIAGRAM - External LVC-IV (Low-Voltage Control Module) Optional



110-120V MOTOR Optional

Single Station Control



Please Note: For external low-voltage (LVC-IV), serial (LVC-IV) and network (LVC-IV) wiring diagrams, please consult instructions for those modules.

PROJECT: _____

ARCHITECT: _____

CONTRACTOR: _____

SUPPLIER: _____

DATE: _____ REVISED: _____