

Specifications

Please check all appropriate selections and attach room schedule with verified dimensions.

QUANTITY: _____ **SIZE:** _____ h. x _____ w.

Projection screen 110-120V AC, 60 Hz, 1.3 to 1.8 Amp. Motor mounted inside screen roller, 3-wire, instantly reversible, life-time lubricated, and pre-set accessible limit screws. Equipped with internal thermal overload protector and electric brake. Motor mounted on rubber vibration insulators. Left-hand motor location only.

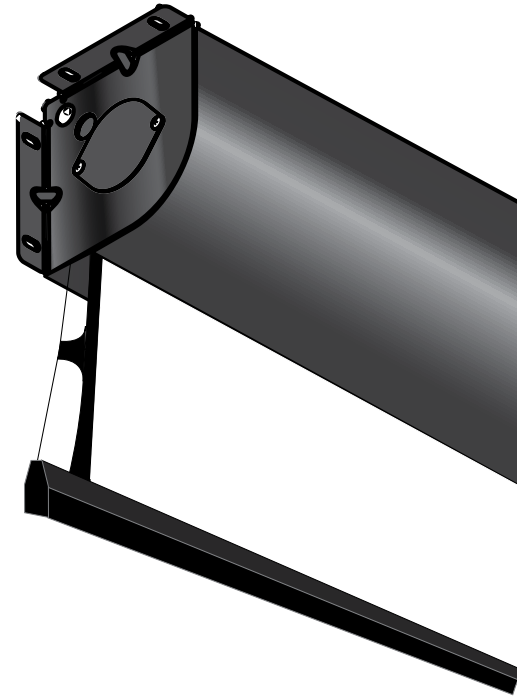


Roller constructed of 4" (102mm) dia. metal. Viewing surface is fire retardent and mildew resistant. Each side of surface to have tab-guide cable system to maintain even lateral tension and hold surface flat. Bottom of surface supported and masked by black, extruded aluminum dowel weighted to apply proper vertical tension. Top of surface masked by 12" (30cm) black drop. Matt White XT1000V and Grey XH600V viewing surfaces are certified to GREENGUARD standards for low emissions into indoor air during product usage. For more information, visit ul.com/gg.

Bottom of viewing surface attached to weighted dowel. Case is 6 3/4" x 6 3/4" (17cm x 17cm), and consists of a curved front and L-shaped back/top cover fabricated of extruded aluminum, white finish (standard) or black (optional). Three-position control switch stops or reverses screen at any point in the operating cycle. Switch(es) furnished complete with coverplate.

Downloadable 3-part specifications: available at www.draperinc.com

Please note: Dimensions of rollers, operators, and hardware at manufacturer's discretion.



Select Case Color:

- Black (standard)
- White (optional)

Select Motor Location:

- Left end (standard) (fabric rolls off back of roller)
- Right end

Select Optional Accessories:

- Additional Drop _____
(beyond standard 12" (30cm))
- Total Drop _____
(standard 12" (30cm) + additional drop)
- Black (standard)
- Same color as viewing surface
(Total screen height cannot exceed 13' (3.96 m); extra drop increases length of case.)

Please Note: Extra drop increases case and dowel length. Specify at time of order and contact Draper if this dimension is critical.

Select Viewing Surface:

TECVISION® Premium Optical Surface

Choose TecVision® surface:

- XT1000X White (1.0 gain) Certified
- XT1100X White (1.1 gain) Certified
- XT1300X White (1.3 gain) Certified
- XT1600X White (1.6 gain) Certified
- XH700X Grey (0.7 gain) Certified
- XH1200X Grey (1.2 gain) Certified
- XH800X ALR (0.8 gain) Certified
- XH900X ALR (0.9 gain) Certified
- MS1000X ALR (1.0 gain) Certified
- CS1100X ALR (1.1 gain) Certified
- Other _____

Choose standard viewing surface:

- Matt White XT1000VB* (1.0 gain): GREENGUARD Gold certified
- Grey XH600V (0.6 gain) (Thru 9' x 12'): GREENGUARD Gold certified
- Cineflex CH1200V (1.2 gain)
- Cineflex White XT700V (0.7 gain)
- Other _____



PROJECT: _____

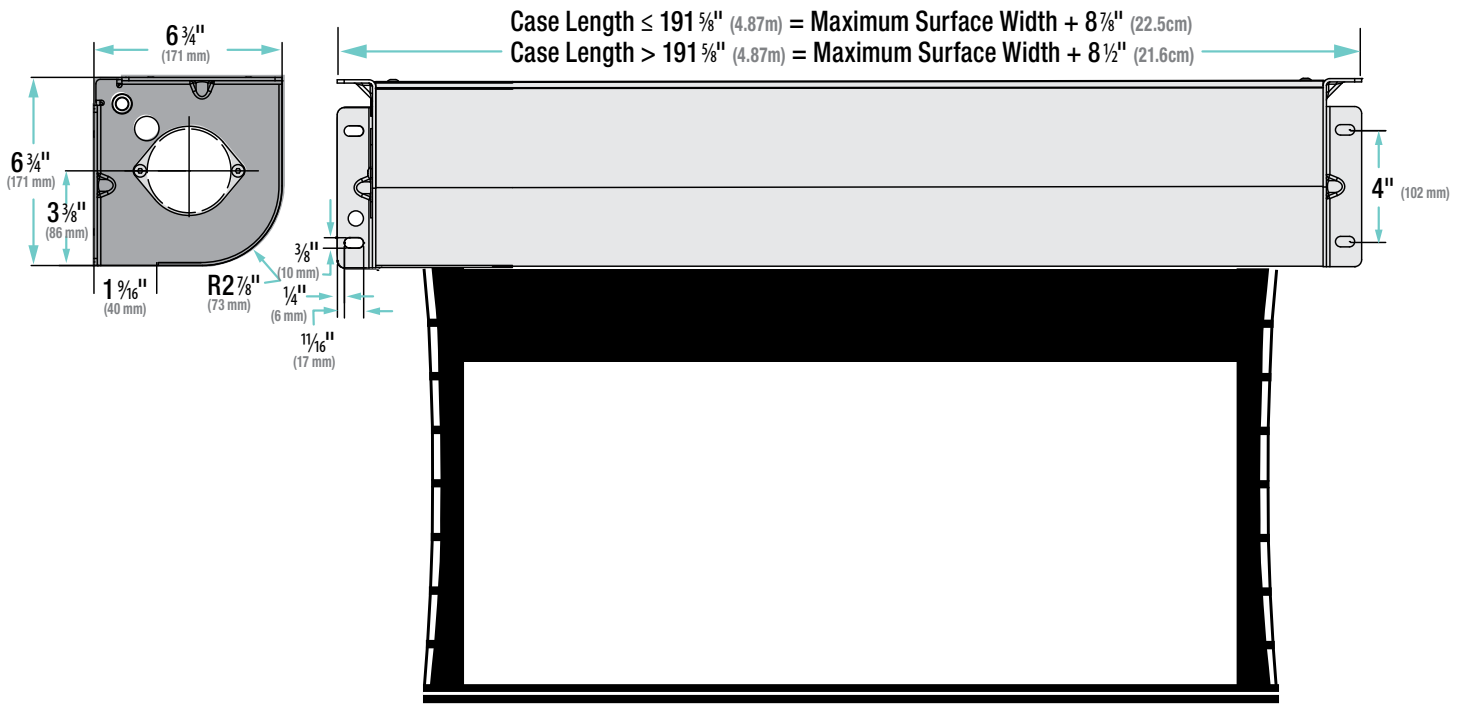
ARCHITECT: _____

CONTRACTOR: _____

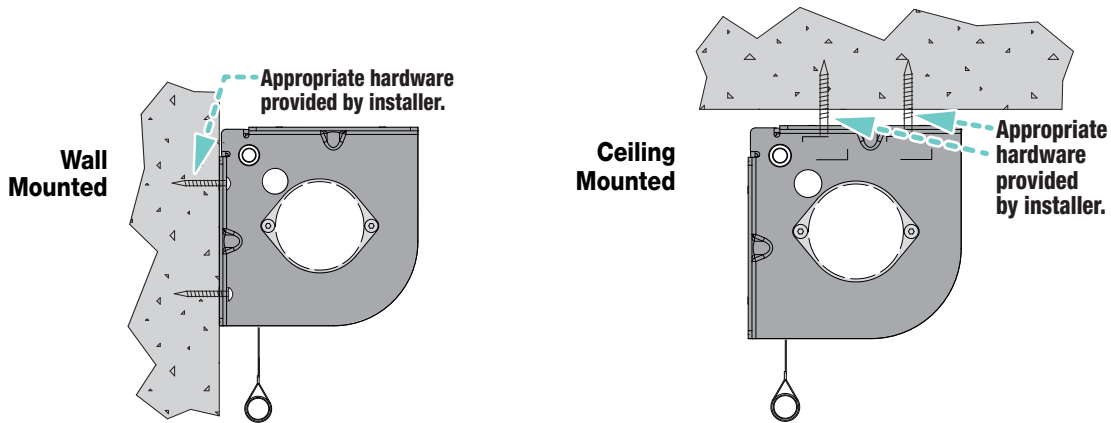
SUPPLIER: _____

DATE: _____ **REVISED:** _____

Case Dimensions and Methods of Installation

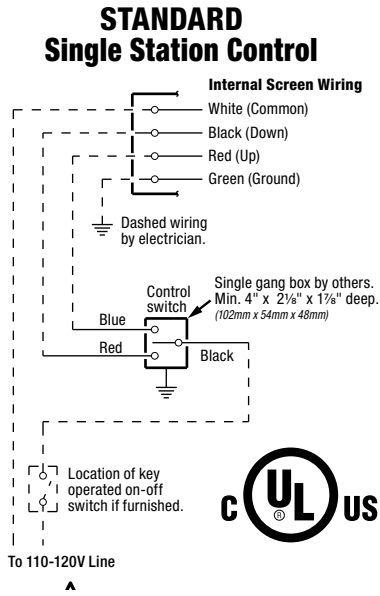


Methods of Installation

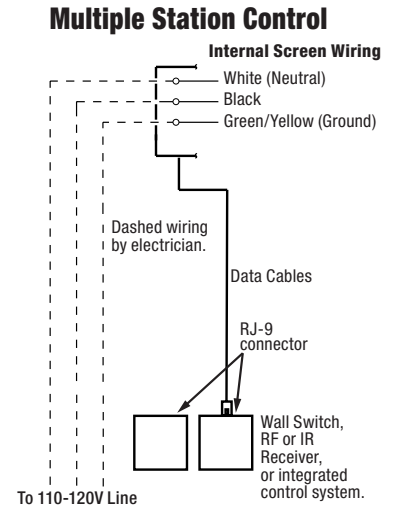
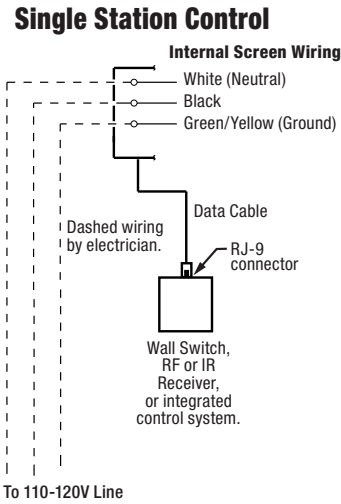


Please Note: Do not wire motors in parallel.

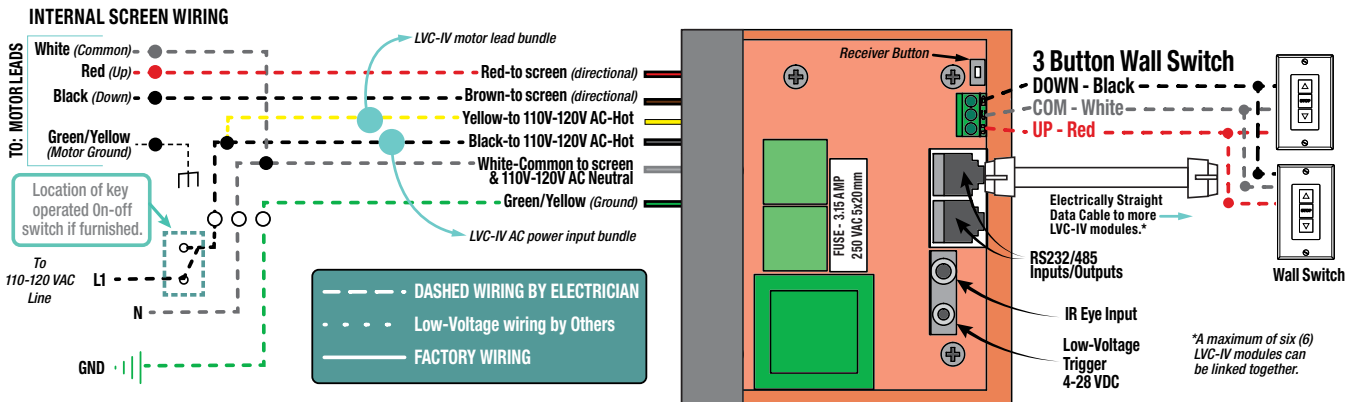
Standard Motors



110-120V Motor with Internal Low-Voltage Controller

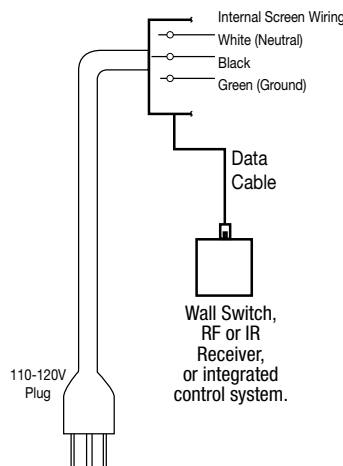


External LVC-IV - Single or Multiple Projection Screen Wiring Diagram



Plug & Play 110-120V Motor (Low-Voltage Control Built Into Motor)

Single Low-Voltage Control



Multiple Low-Voltage Controls

