

Ultimate Access V

Motorized trap door opens into the case



SUBMITTAL TECHNICAL INFO

Please check all appropriate selections and attach room schedule with verified dimensions.

Specifications

QUANTITY: _____ SIZE: _____ h. x _____ w. Projection screens, recessed ceiling mounted.

HOUSING: Case finished in white. Case constructed of steel, except side trim flanges and access doors are aluminum. Endcaps are stamped steel. Bottom of case consists of an independently motorized trap door that opens upward inside the screen case. The trap door and the access door both hinge downward to allow access to inside of screen case. The doors remain attached to the screen case via a concealed full-length hinge. Releasing latches at the center and each end of the screen case allow the doors to hinge downward. A prop arm at each end may be pivoted to engage with endcaps, keeping the door assembly in its fully open position. Internal junction box allows case to be installed and pre-wired to building supply. Junction box to have two plug-in style connectors, mating with connectors from motorized roller/fabric assembly and motorized door assembly. Case flange to trim edges of the ceiling opening.

ROLLER/FABRIC ASSEMBLY: to be installed in case at factory or job site. Brackets supporting roller/fabric assembly to slide in track inside top of case, allowing viewing surface to be centered in case regardless of screen size. Roller of 3" (76 mm) nominal dia. metal.

VIEWING SURFACE: Provided with black masking borders. Each side of surface to have tab-guide cable system for even lateral tension and flat surface. Bottom of surface supported and masked by black extruded aluminum dowel weighted to apply proper vertical tension. Top of surface masked by 12" (305 mm) black drop. Viewing surface flame and mildew resistant. Matt White XT1000V and Grey XH600V viewing surfaces are certified to GREENGUARD standards for low chemical emissions into indoor air during product usage. For more information, visit ul.com/gg.

MOTOR: Electrically operated 60 Hz., 110-120V AC, 5-wire motor mounted inside screen roller, instantly reversible, lifetime lubricated, with internal thermal overload protector, and electric brake with preset limits.

CONTROLS: 3-position control switch to stop or reverse screen at any point. Switch (es) furnished with cover plate.

MOUNTING METHODS: Case may be mounted with 3/8" (9.5 mm) threaded rod, or 3/8" (9.5 mm) lag screws through mounting brackets.

MOUNTING BRACKETS: Slide in 18" (457 mm) long channels on top of case, allowing brackets to be moved to avoid interference with conflicting building structures. Brackets must be locked in position by tightening screws. In typical installations, mounting brackets may be angled to meet installation requirements.

ENTIRE UNIT CERTIFIED BY UNDERWRITERS' LABORATORIES, INC. FOR THE U.S. AND CANADA.

PLENUM RATED CASE (UL approved "Suitable for Use in Environmental Air Space").

SPECIFICATIONS SUBJECT TO CHANGE WITHOUT NOTICE.

DOWNLOADABLE 3-PART SPECIFICATIONS: available at www.draperinc.com



Please note: Dimensions of rollers, operators, and hardware at manufacturer's discretion.

Select Shipping Option

- Case Now, Screen Assembly Later
- Complete Unit Now

Select Case Color

- White (standard)
- Black (optional)

Select Additional Options

- Additional set of mounting brackets for alternate mounting (see page 3)
- Extra Drop
Length of Total Drop: _____
(Total screen height cannot exceed 12'(366cm))
- Drop Color:
 - Black (standard)
 - Same color as viewing surface

Please Note: Extra drop increases case and dowel length. Specify at time of order and contact Draper if this dimension is critical. Includes 3/4" (19 mm) flange on each end of case. Subtract 1 1/4" (32 mm) for rough ceiling cutout size.

Select Viewing Surface:

TECVISION® Premium Optical Surface

Choose TecVision® surface:

- XT1000X White (1.0 gain) Certified
- XT1100X White (1.1 gain) Certified
- XT1300X White (1.3 gain) Certified
- XT1600X White (1.6 gain) Certified
- XH700X Grey (0.7 gain) Certified
- XH1200X Grey (1.2 gain) Certified
- XH800X ALR (0.8 gain) Certified
- XH900X ALR (0.9 gain) Certified
- MS1000X ALR (1.0 gain) Certified
- CS1100X ALR (1.1 gain) Certified
- Other

- I want the above surface perforated.

Choose standard viewing surface:

- Matt White XT1000VB* (1.0 gain): GREENGUARD Gold certified
- Grey XH600V (0.6 gain) (Thru 9' x 12'): GREENGUARD Gold certified
- Cineflex CH1200V (1.2 gain)
- Cineflex White XT700V (0.7 gain)
- Clearsound Nanoperf XT1000V (1.0 gain)
- Other

See Pages 2 & 3 for Motors and Controls
and Standard Dimensions and Data



Draper, Inc. | 411 S. Pearl St. Spiceland, IN 47385
draperinc.com | 765.987.7999 | 800.238.7999

© 2024 All Rights Reserved | FORM: UltimateAccessV_Sub24

PROJECT: _____

ARCHITECT: _____

CONTRACTOR: _____

SUPPLIER: _____

DATE: _____ REVISED: _____

Select Motor and Controls

- 110-120V AC (standard)
- Optional Quiet Motor
- Control Options (for Standard and Quiet 110-120V AC motor):

Please Note: This Draper motorized screen comes with one 110V-120V AC 3-position wall switch (silver wall plate with black rocker).

High-Voltage Switch Options

- Substitute white switch(es) for silver wall plate with black rocker
 - Optional Key Operated Switch
 - Power Supply Key Switch (On-off) (KS-1)
 - 3-Position Key Control (KS-3)

Low-Voltage Motor and Control Options:

- Internal LVC-IV (Low-Voltage Control Module)
- External LVC-IV (Low-Voltage Control Module)

Select Control Options for Low-Voltage from below:

- 24 Volt 3-Button Switch (Number of 24V switches: _____)
- Radio Frequency Remote Control (only with 24V)
- Infrared Remote Control (only with 24V)
- Optional Key Operated Switch
 - 3-Position Switch with Hinged Key-Locking Coverplate (SP-KPS-1)
 - 3-position Key Control (SP-KSM)

Dimensions and Data

16:10 Format

Nominal Diagonal	Image Area	Case Length ¹	Dowel Length	Net Wt. (lbs.)	Qty.
94"	50" x 80"	103 3/8"	90 7/8"	103	
109"	57 1/2" x 92"	116 3/8"	103 7/8"	130	
113"	60" x 96"	120 3/8"	107 3/4"	130	
123"	65" x 104"	128 3/8"	115 7/8"	135	
137"	72 1/2" x 116"	141 1/2"	128 7/8"	137	
165"	87 1/2" x 140"	167	154 3/8"	155	

HDTV Format (16:9)

Nominal Diagonal	Image Area	Case Length ¹	Dowel Length	Net Wt. (lbs.)	Qty.
92"	45" x 80"	103 3/8"	90 7/8"	103	
100"	49" x 87"	110 3/8"	97 7/8"	118	
106"	52" x 92"	115 3/8"	102 7/8"	130	
110"	54" x 96"	120 3/8"	107 7/8"	130	
119"	58" x 104"	128 3/8"	115 7/8"	135	
133"	65" x 116"	140 3/8"	127 7/8"	137	
161"	79" x 140"	165 1/2"	152 7/8"	155	

NTSC Video Format (4:3)

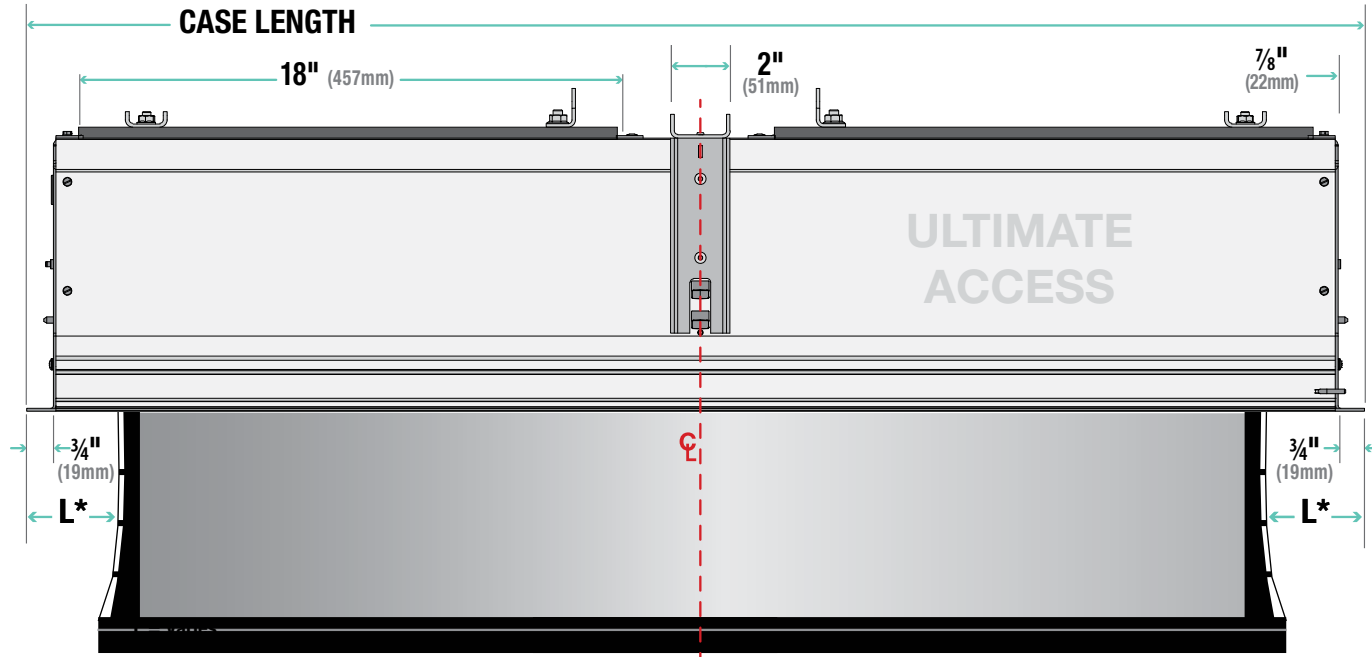
Nominal Diagonal	Image Area	Case Length ¹	Dowel Length	Net Wt. (lbs.)	Qty.
6'	42 1/2" x 56 1/2"	79 7/8"	67 3/8"	87	
7'	50" x 66 1/2"	89 7/8"	77 3/8"	99	
100"	60" x 80"	104 3/8"	91 7/8"	106	
10'	72" x 96"	121 1/2"	108 3/4"	134	
11'	78" x 104"	129 1/2"	116 7/8"	140	
150"	87" x 116"	143	130 3/8"	142	
15'	108" x 144"	171 1/2"	158 3/4"	160	

Custom Size (available up to 168" x 168")

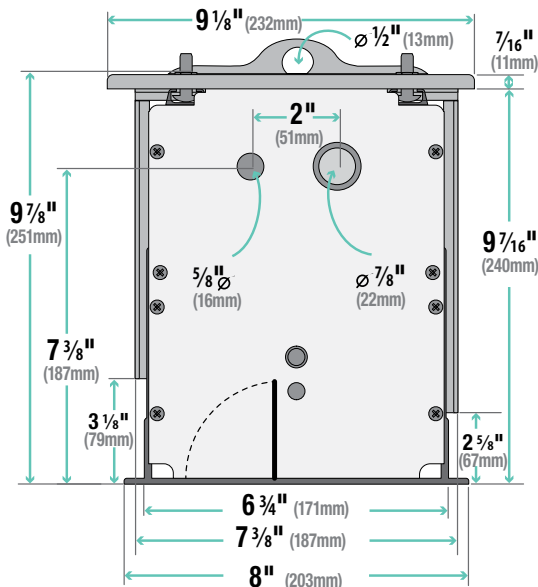
Nominal Diagonal	Image Area	Case Length ¹	Dowel Length	Net Wt. (lbs.)	Qty.

¹ Includes 3/4" (19 mm) flange on each end of case. Subtract 1 1/4" (32 mm) for rough ceiling cutout size.

Case Dimensions and Methods of Installation

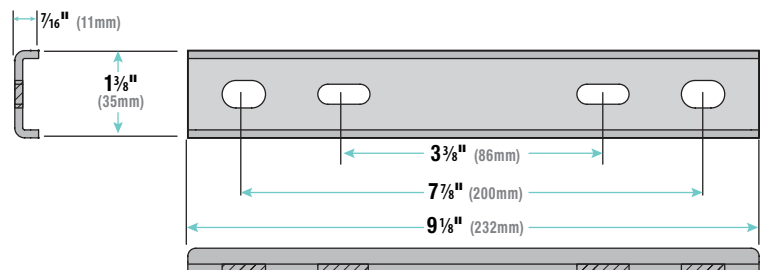


- For minimum length of ceiling cutout: subtract 1/4" (32mm) from case length (measured from outer edge of flanges).
- For minimum width of cutout (front to back): see case width dimensions below.
- **Leveling bracket is used to level the case and should NOT be used to support the weight of the unit.
- The leveling brackets are riveted to the side of the case. Hardware used for leveling provided by others.

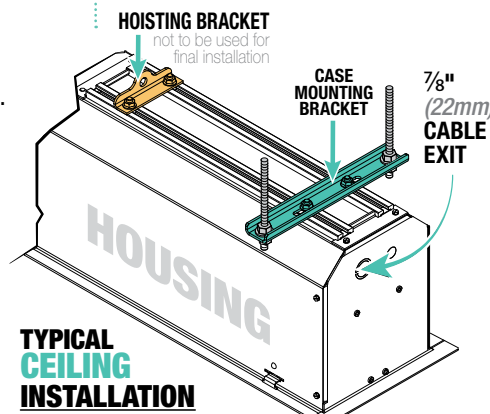


Standard Motor Wiring is on the AUDIENCE LEFT END of Screen Case.

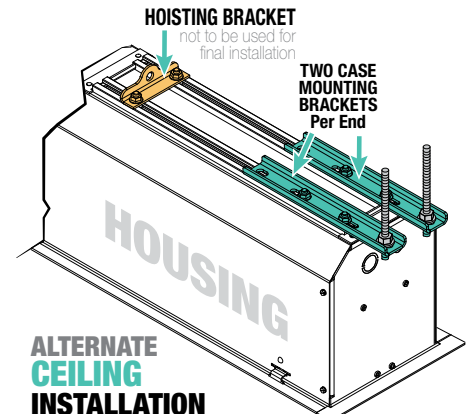
Mounting Brackets Dimensions



Installation Options



With typical installation, brackets may be angled to meet installation requirements.

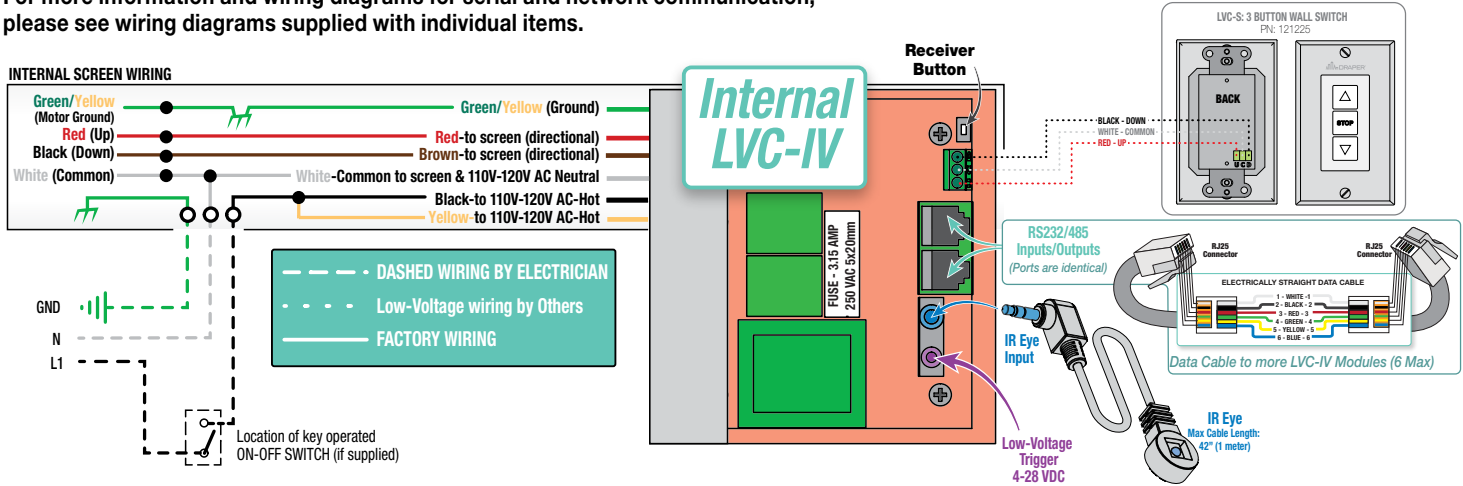


Additional set of brackets required, but NOT included.

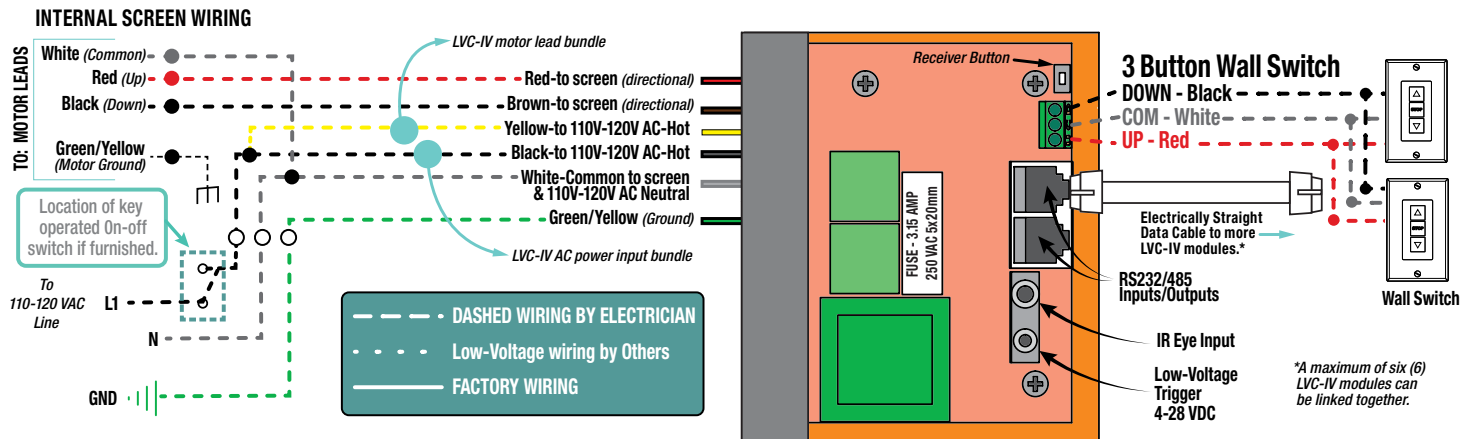
Please Note: Extra brackets must be ordered for alternate installation.

Wiring Diagrams

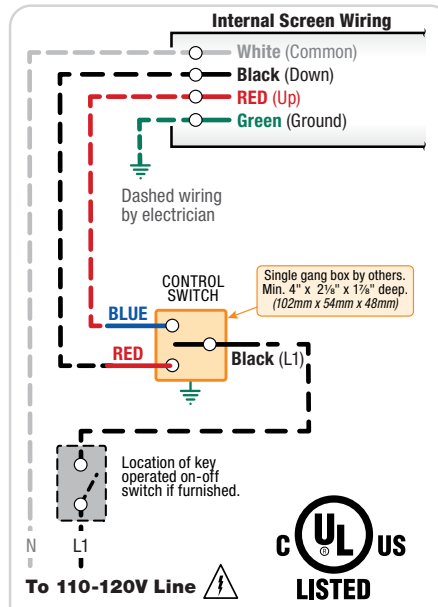
For more information and wiring diagrams for serial and network communication, please see wiring diagrams supplied with individual items.



WIRING DIAGRAM - External LVC-IV (Low-Voltage Control Module)



110-120V Motor and Quiet Motor Single Station Control



Please Note: For external low-voltage (LVC-IV), serial (LVC-IV) and network (LVC-IV) wiring diagrams, please consult instructions for those modules.