

Ultimate Access XL E

XL electric screen with motorized closure



SUBMITTAL TECHNICAL INFO

Please check all appropriate selections and attach room schedule with verified dimensions.

Specifications

QUANTITY: _____ **SIZE:** _____ h. x _____ w. Projection screens, recessed ceiling mounted.

HOUSING: Case finished in white. Case constructed of steel, except side trim flanges and access door are aluminum. Endcaps are stamped steel. Bottom of case consists of an independently motorized trap door that opens upward inside the screen case. The trap door and the access door both hinge downward to allow access to inside of the screen case. The doors remain attached to the screen case via a concealed full-length hinge. Releasing latches at the center and each end of screen case allows the doors to hinge downward. A prop arm at each end may be pivoted to engage with endcaps, keeping the door assembly in its fully open position. Internal junction box allows case to be installed and pre-wired to building supply. Junction box to have two plug-in style connectors, mating with connectors from motorized roller/fabric assembly and motorized door assembly. Case flange to trim edges of the ceiling opening.

ROLLER/FABRIC ASSEMBLY: Installed in case at factory. Brackets supporting roller/fabric assembly to slide in track inside top of case, allowing viewing surface to be centered in case regardless of screen size. Roller of 5" (12.7) or 7" (17.8cm) nominal dia. metal.

VIEWING SURFACE: to be flame and mildew resistant. Bottom of viewing surface enclosed in dowel. Matt White XT1000E and Contrast Grey XH800E viewing surfaces are certified to GREENGUARD standards for low chemical emissions into indoor air during product usage. For more information, visit ul.com/gg.

MOTOR: Electrically operated 60 Hz., 110-120V AC, 5-wire motor mounted inside screen roller, instantly reversible, lifetime lubricated, with internal thermal overload protector, and electric brake with preset limits.

CONTROLS: 3-position control switch (or switches—specify number) to stop or reverse screen at any point. Switch(es) furnished with cover plate.

MOUNTING BRACKETS: Slide in 18" (457 mm) long channels on top of case, allowing brackets to be moved to avoid interference with conflicting building structures. Brackets must be locked in position by tightening screws. Brackets may also be angled to meet installation requirements.

MOUNTING METHODS: Case may be mounted with 3/8" (9.5mm) threaded rod through mounting brackets.

PLENUM RATED CASE (UL approved "Suitable for Use in Environmental Air Space").

SPECIFICATIONS SUBJECT TO CHANGE WITHOUT NOTICE.

DOWNLOADABLE 3-PART SPECIFICATIONS: available at www.draperinc.com

Please note: Dimensions of rollers, operators, and hardware at manufacturer's discretion.



Select Case Color

- White (standard)
- Black (optional)

Select Viewing Surface

- Matt White XT1000E
- Contrast Grey XH800E
- Chroma Key Green

Select Additional Options

- Additional set of mounting brackets for alternate mounting (see page 3)
- Extra Drop
Length of Total Drop: _____
(Total screen height cannot exceed 12'(366cm))
- Drop Color:
 - Black (standard)
 - Same color as viewing surface

See Pages 2 & 3 for Motors and Controls
and Standard Dimensions and Data

PROJECT: _____

ARCHITECT: _____

CONTRACTOR: _____

SUPPLIER: _____

DATE: _____ REVISED: _____



Draper, Inc. | 411 S. Pearl St. Spiceland, IN 47385
draperinc.com | 765.987.7999 | 800.238.7999

© 2023 All Rights Reserved | FORM: UltimateAccessXLE_Sub23

Select Motor and Controls

Standard Voltage Motor and Control Options:

- 110-120V AC (standard)

Please Note: These motors come with one 110V-120V AC 3-position wall switch (silver wall plate with black rocker).

High-Voltage Switch Options

- Substitute white switch(es) for silver wall plate with black rocker
 - Optional Key Operated Switch
 - Power Supply Key Switch (On-off) (KS-1)
 - 3-Position Key Control (KS-3)

Low-Voltage Motor and Control Options:

- Internal LVC-IV (Low-Voltage Control Module)
- External LVC-IV (Low-Voltage Control Module)

Select Control Options for Low-Voltage from below:

- 24 Volt 3-Button Switch (Number of 24V switches: _____)
- Radio Frequency Remote Control (only with 24V)
- Infrared Remote Control (only with 24V)
- Optional Key Operated Switch
 - 3-Position Switch with Hinged Key-Locking Coverplate (SP-KPS-1)
 - 3-position Key Control (SP-KSM) Coverplate

Dimensions and Data

16:10 Format

Nominal Diagonal	Image Area	Overall Size	Case Length ¹	Net Wt. (lbs.)	Qty.
189"	100" x 160"	105" x 164"	177¾"	276	
198"	105" x 168"	110" x 172"	185¾"	286	
222"	117½" x 188"	122" x 192"	205¾"	308	
255"	135" x 216"	140" x 220"	233¼"	355	
278"	147½" x 236"	152½" x 240"	257¼"	402	
307"	162½" x 260"	167½" x 264"	281¼"	446	

HDTV Format (16:9)

Nominal Diagonal	Image Area	Overall Size	Case Length ¹	Net Wt. (lbs.)	Qty.
184"	90" x 160"	95" x 164"	177¾"	276	
193"	94½" x 168"	99½" x 172"	185¾"	281	
220"	106" x 188"	111" x 192"	205¾"	307	
248"	121½" x 216"	126½" x 220"	233¼"	355	
270"	133" x 236"	138½" x 240"	257¼"	402	
300"	146" x 260"	151" x 264"	281¼"	446	

NTSC Video Format (4:3)

Nominal Diagonal	Image Area	Overall Size	Case Length ¹	Net Wt. (lbs.)	Qty.
200"	118" x 158"	123" x 162"	175¾"	276	
210"	126" x 168"	131" x 172"	185¾"	281	
220"	132" x 176"	137" x 180"	193¾"	296	
230"	138" x 184"	143" x 188"	201¾"	301	
240"	141" x 188"	146" x 192"	205¾"	307	
250"	148" x 198"	153" x 202"	215¾"	283	
270"	162" x 216"	167" x 220"	233¾"	305	
24' 4"	177" x 236"	182" x 240"	257¼"	334	
27' 6"	194" x 260"	198" x 264"	281¼"	373	

Audio Visual Format

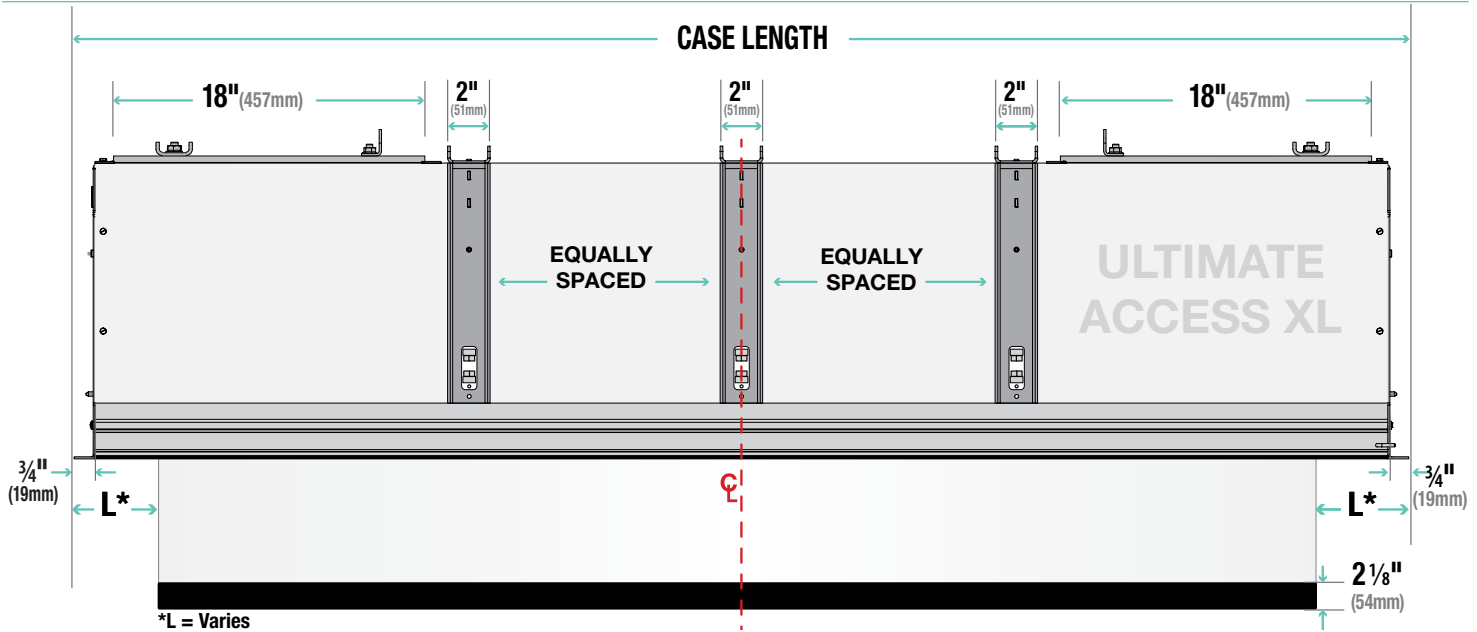
Size (H x W)	Case Length ¹	Net Wt. (lbs.)	Qty.
14' x 14'	181¾"	283	
12' x 16'	205¾"	295	
16' x 16'	205¾"	307	
13' 6" x 18'	229¾"	366	
18' x 18'	233¼"	427	
8' x 20'	253¾"	488	
15' x 20'	257¼"	481	
20' x 20'	257¼"	412	
11' x 22'	281¼"	446	
16' 6" x 22'	281¼"	456	

Custom Size (available up to 168" x 168")

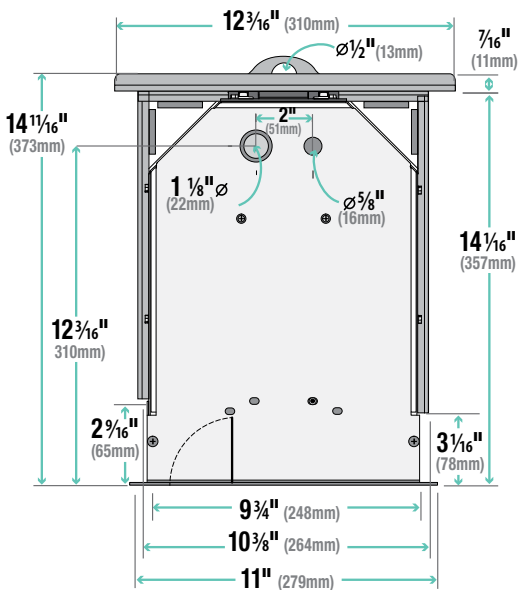
Size (H x W)	Case Length ¹	Net Wt. (lbs.)	Qty.

¹ Includes ¾" (19 mm) flange on each end of case. Subtract 1 ¼" (32 mm) for rough ceiling cutout size.

Case Dimensions and Methods of Installation

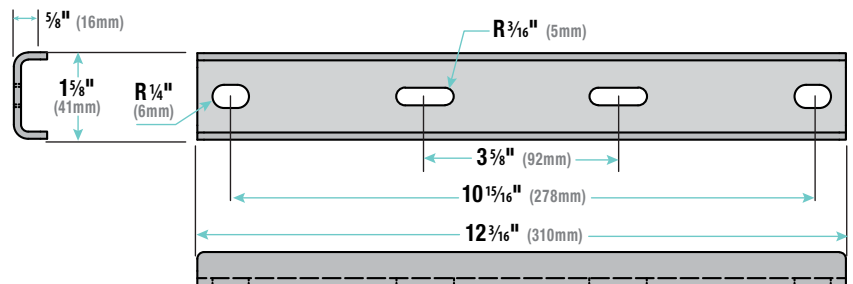


- For minimum length of ceiling cutout: subtract 1 1/4" (32mm) from case length (measured from outer edge of flanges).
- For minimum width of cutout (front to back): see case width dimensions below.
- **Leveling brackets are used to level the case and should NOT be used to support the weight of the unit.
- The leveling brackets are riveted to the side of the case. Hardware used for leveling provided by others.

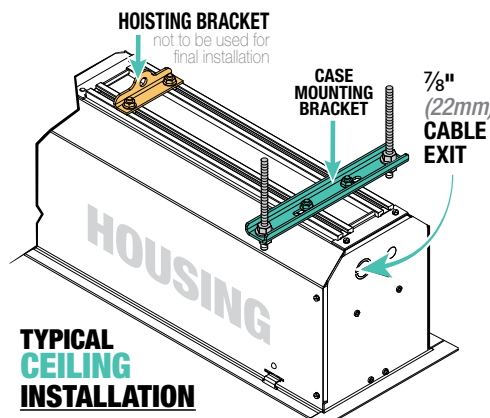


Standard Motor Wiring is on the AUDIENCE LEFT END of Screen Case.

Mounting Brackets Dimensions

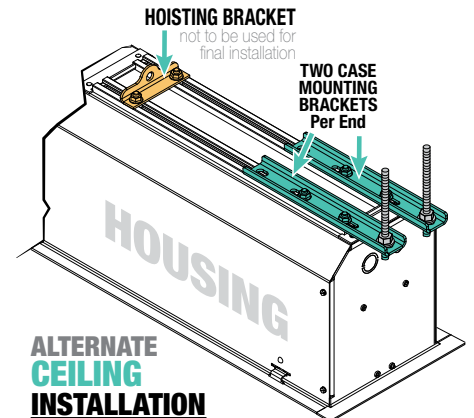


Installation Options



TYPICAL CEILING INSTALLATION

With typical installation, brackets may be angled to meet installation requirements.



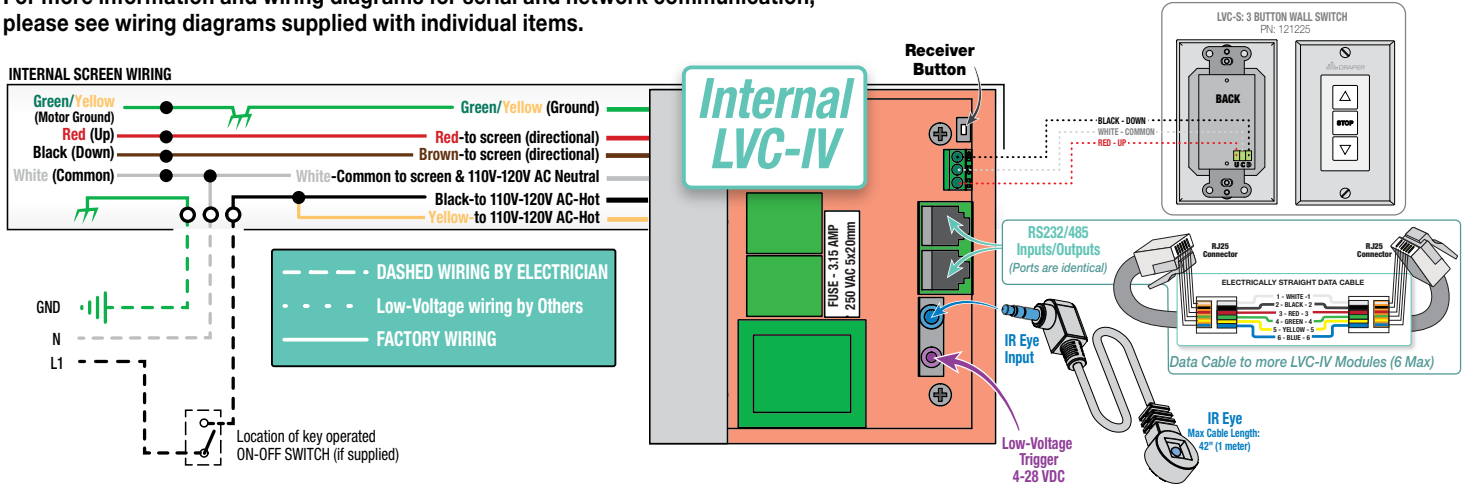
ALTERNATE CEILING INSTALLATION

Additional set of brackets required, but NOT included.

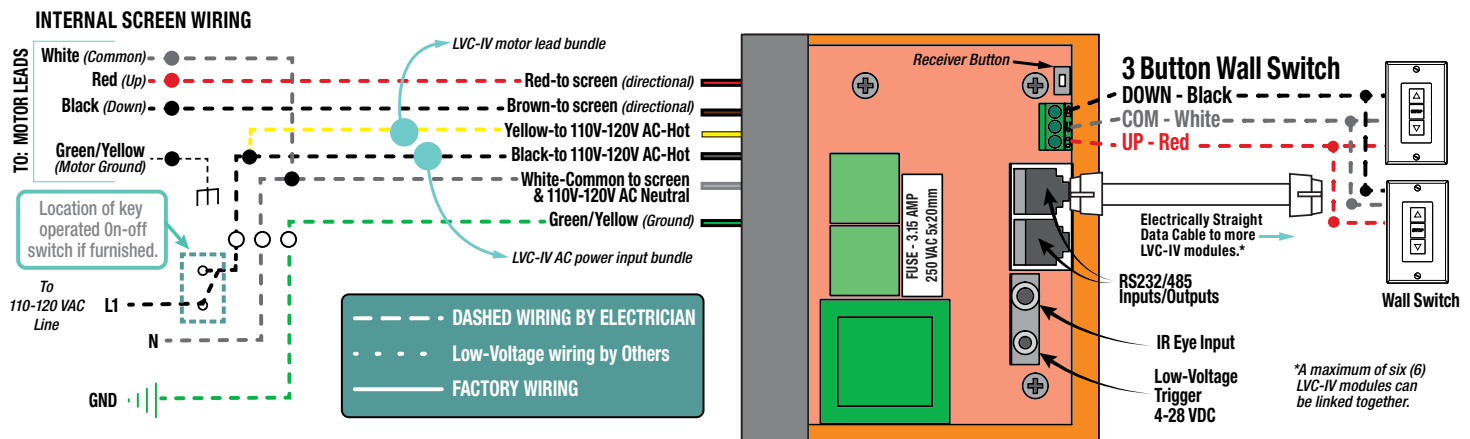
Please Note: Extra brackets must be ordered for alternate installation.

Wiring Diagrams

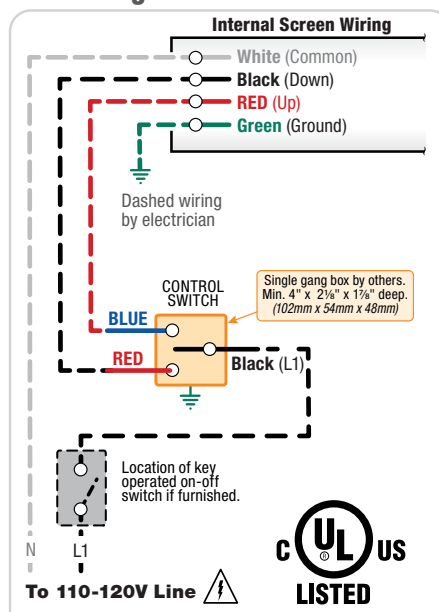
For more information and wiring diagrams for serial and network communication, please see wiring diagrams supplied with individual items.



WIRING DIAGRAM - External LVC-IV (Low-Voltage Control Module)



110-120V Motor and Quiet Motor Single Station Control



Please Note: For external low-voltage (LVC-IV), serial (LVC-IV) and network (LVC-IV) wiring diagrams, please consult instructions for those modules.