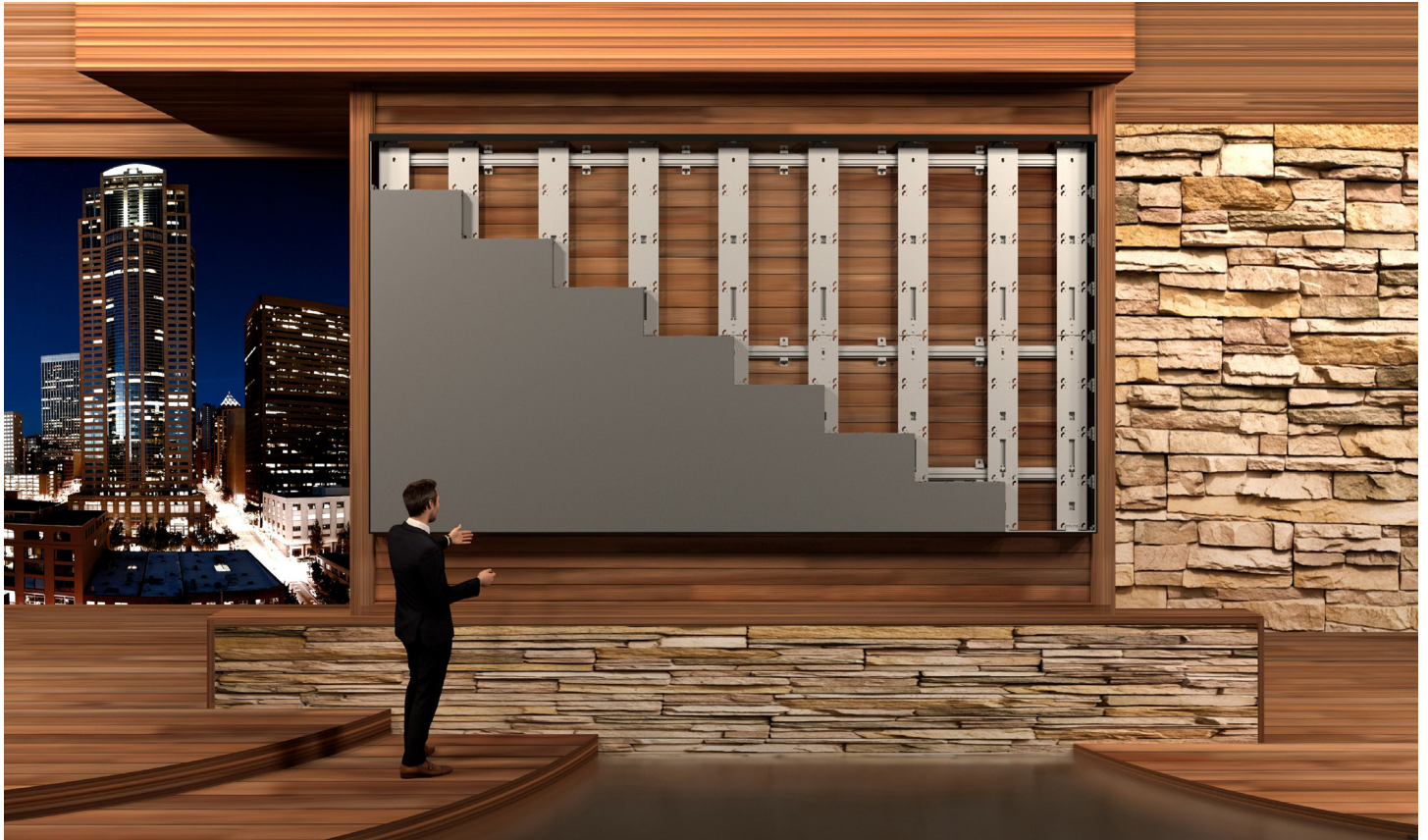




## Foundation<sup>®</sup> Mount System for LG dvLED Video Walls

*The bedrock of hassle-free LED video wall installations*



### Build Your LED Video Wall on the Draper<sup>®</sup> Foundation<sup>®</sup>

Foundation Mount System for LG LSCB and LG LSBB Series offers an economical and configurable wall mount that incorporates features specifically designed to benefit installers. Built-in precision simplifies installation challenges that arise to provide a speedy install.

### Save time, gain precision

The alignment fixture tools (included) ensure critical components are positioned perfectly for a flawless installation of LED panels and help eliminate the need for realignment. Keyhole attachments and high precision Y and Z axis adjustments provide quick and precise LED video wall installation even on non-flat wall surfaces.

**FOCUSED ON  
INNOVATIVE  
SOLUTIONS**

### ADVANCED SOLUTION

- Modular design allows for any array size; no cutting or trimming on site.
- Standard array sizes range from 4x4 to 12x12, and 15x5.
- Available with textured black powder coated trim or without trim
- **Seismic rating:** Draper is able to provide seismic rated mounting solutions when specified in advance.



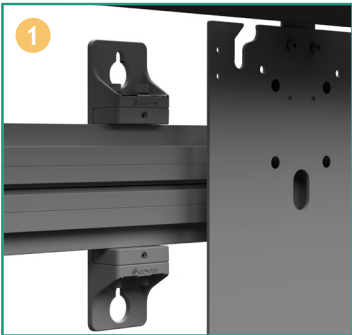
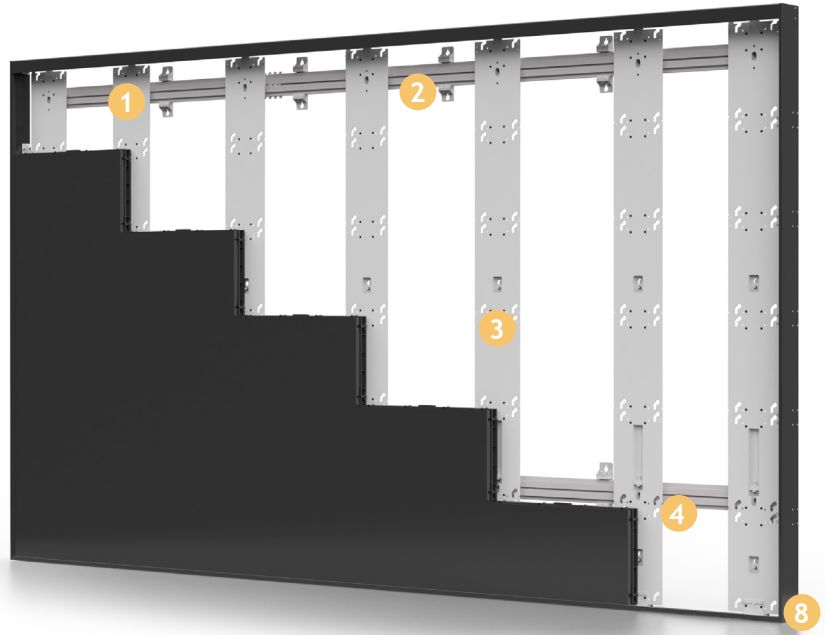
[www.draperinc.com/contactus/avinquiry.aspx](http://www.draperinc.com/contactus/avinquiry.aspx)

Please contact your sales team if seismic rating is required for your project.

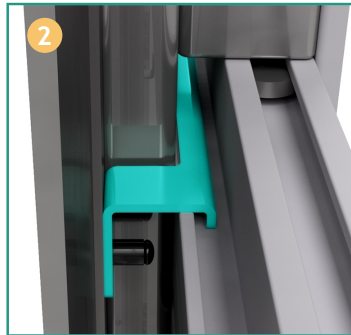


## FOUNDATION MOUNT

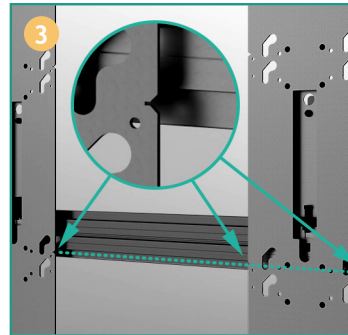
*Engineered to provide increased precision and time savings when installing LED video walls.*



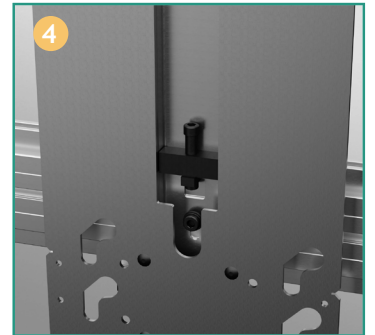
**Keyhole attachments** on wall brackets provide the ability to mount an entire horizontal rail at once.



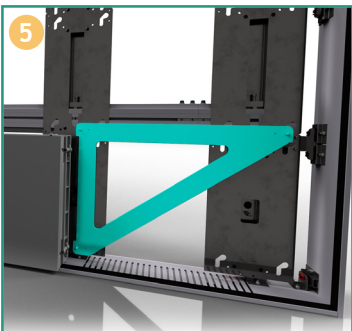
**Vertical rail hanger clips** allow installers to easily mount vertical rails.



**Laser level notches** on the sides of each upright act as "string lines" for easy leveling.



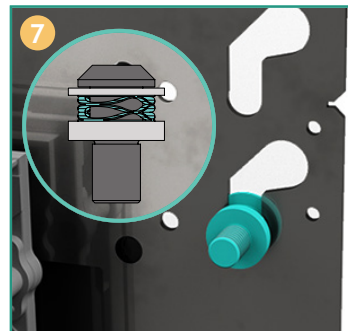
**Vertical rail adjusters** quickly align and level the bottom row of cabinets.



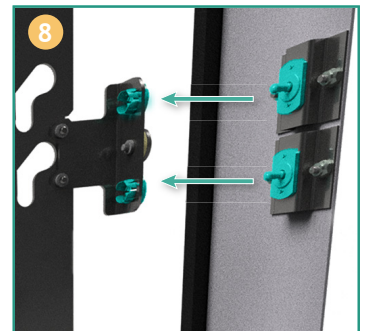
**Install fixtures** ensure that vertical uprights are positioned and spaced perfectly. Realignment is not necessary when LED panels are installed.



**LED panel mounting slots** minimize the amount of contact between LED modules during installation.



**Spring loaded mounting studs** push cabinets into the final Z-axis position.



**Magnetic trim** is attached using alignment pins and held in place with powerful rare-earth magnets, making installation or removal quick and easy.

